

BURNHAM®

Commercial Boilers

LEGEND CONNECTIONS

- A = 4" SUPPLY
- B = 3" RETURN
- C = 3" x 4" HANDHOLE
- D = 1" WATER COLUMN
- E = 3/4" AQUASTAT
- F = 1-1/2" SURFACE BLOWOFF/WASHOUT
- G = 1/2" TEMPERATURE GAUGE
- H = 1" SAFETY/RELIEF VALVE
- J = 1" AUXILIARY CONNECTION
- K = 14" NOMINAL FLUE DIAMETER

RATINGS AND DATA

Shell Diameter : $27\frac{3}{4}$ "

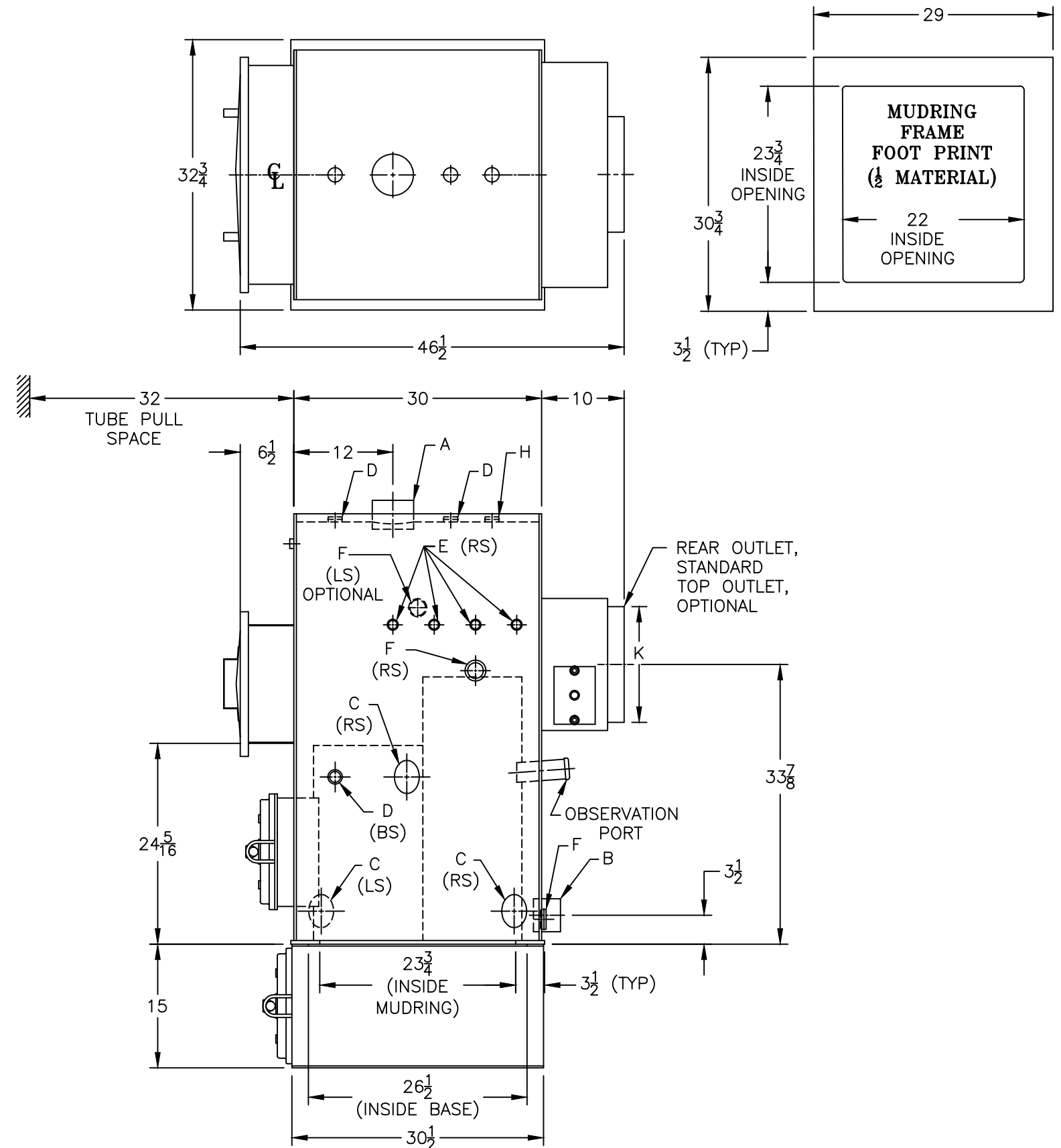
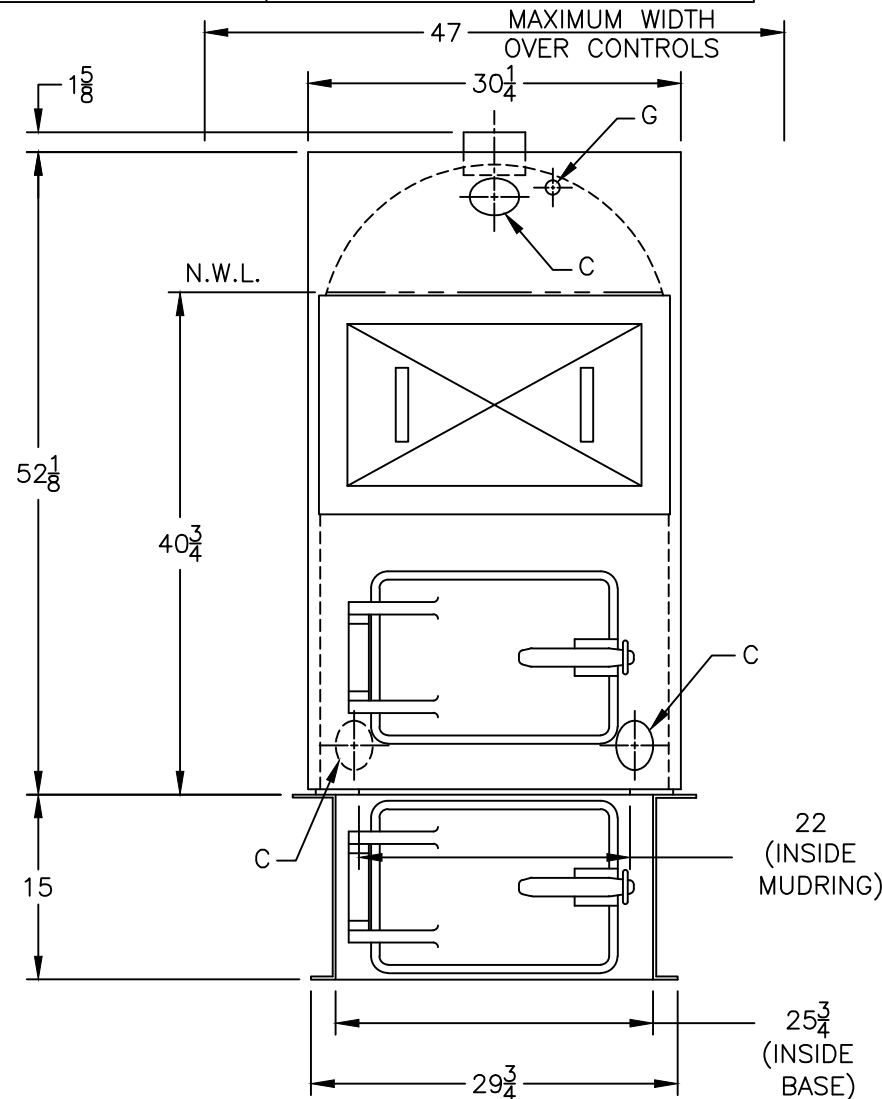
Heating Surface - Sq. Ft.
 Fireside - 45
 Waterside - 47

Firetubes
 Number - 16
 Diameter - 3" O.D.

Furnace
 Volume (Cubic Feet) - 8.9

Water Content
 Steam - 64 Gal. (U.S.)
 Water - 90 Gal. (U.S.)

Approximate Weight (Lb.)
 Dry - 1500
 Wet (Steam) - 2030
 Wet (Water) - 2245



SPECIFICATIONS SUBJECT TO CHANGE WITHOUT NOTICE ALL CONNECTIONS ARE THREADED UNLESS OTHERWISE SPECIFIED
 THIS DOCUMENT CONTAINS CONFIDENTIAL INFORMATION WHICH IS THE PROPERTY OF BURNHAM COMMERCIAL. THIS DOCUMENT MAY NOT BE REPRODUCED, TRANSFERRED OR USED, OR ITS CONTENTS DISCLOSED, WITHOUT THE WRITTEN PERMISSION OF THE OWNER.

MODEL 4N-63A