

BURNHAM®

Commercial Boilers

RATINGS AND DATA

Shell Diameter : $33\frac{1}{8}$ "

Heating Surface - Sq. Ft.
 Fireside - 96
 Waterside - 100

Firetubes
 Number - 28
 Diameter - 3" O.D.

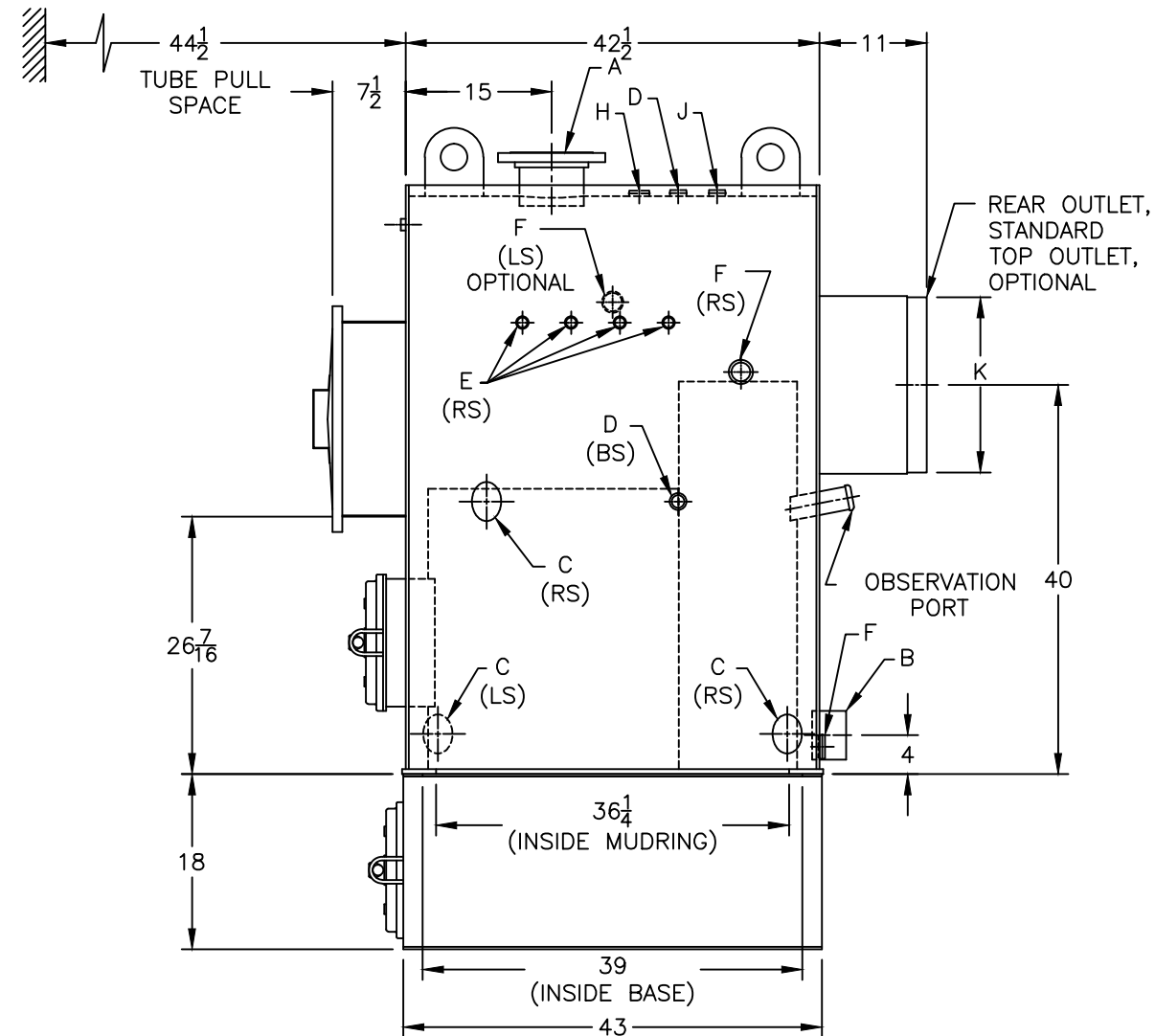
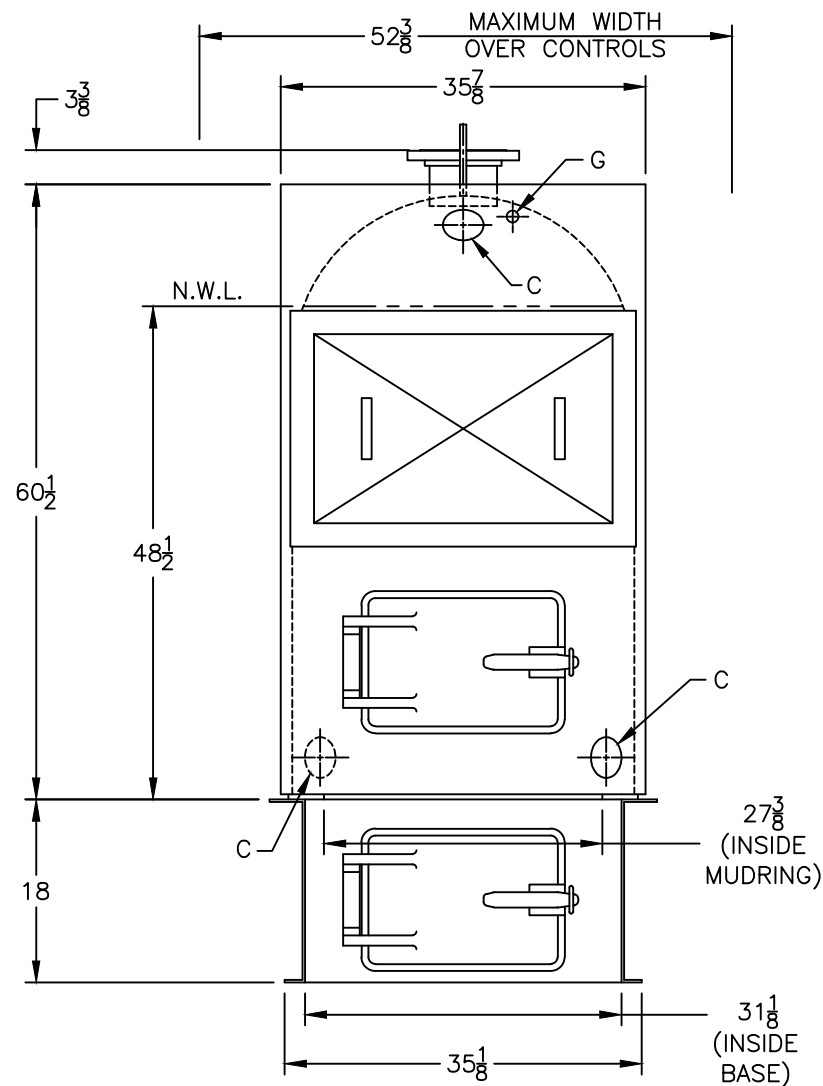
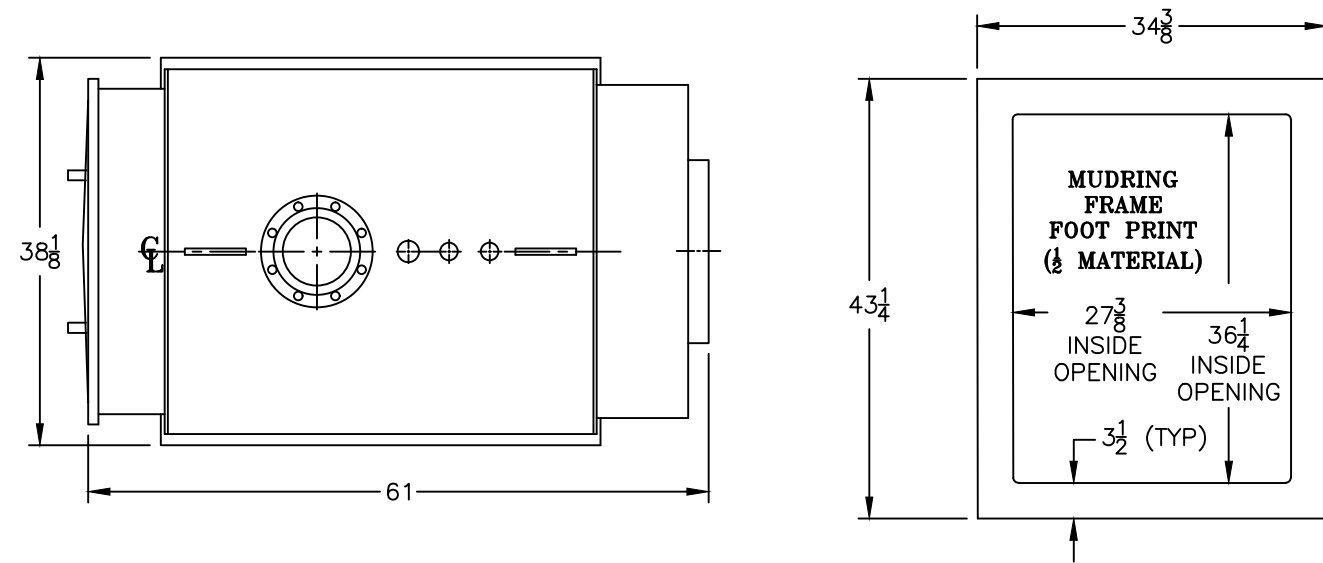
Furnace
 Volume (Cubic Feet) - 19.1

Water Content
 Steam - 119 Gal. (U.S.)
 Water - 162 Gal. (U.S.)

Approximate Weight (Lb.)
 Dry - 2500
 Wet (Steam) - 3485
 Wet (Water) - 3855

LEGEND CONNECTIONS

- A = 6" FLANGED SUPPLY
- B = 4" RETURN
- C = 3" x 4" HANDHOLE
- D = 1" WATER COLUMN
- E = 3/4" AQUASTAT
- F = 1-1/2" SURFACE BLOWOFF/WASHOUT
- G = 1/2" TEMPERATURE GAUGE
- H = 1-1/4" RELIEF VALVE
- J = 1" AUXILIARY CONNECTION
- K = 18" NOMINAL FLUE DIAMETER



SPECIFICATIONS SUBJECT TO CHANGE WITHOUT NOTICE ALL CONNECTIONS ARE THREADED UNLESS OTHERWISE SPECIFIED

THIS DOCUMENT CONTAINS CONFIDENTIAL INFORMATION WHICH IS THE PROPERTY OF BURNHAM COMMERCIAL. THIS DOCUMENT MAY NOT BE REPRODUCED, TRANSFERRED OR USED, OR ITS CONTENTS DISCLOSED, WITHOUT THE WRITTEN PERMISSION OF THE OWNER.

MODEL 4N-127A

NOV 2017 TS-3-49-2