

BURNHAM[®]

Commercial Boilers

RATINGS AND DATA

Shell Diameter : $33\frac{1}{8}$ "

Heating Surface – Sq. Ft.
 Fireside – 133
 Waterside – 139

Firetubes
 Number – 28
 Diameter – 3" O.D.

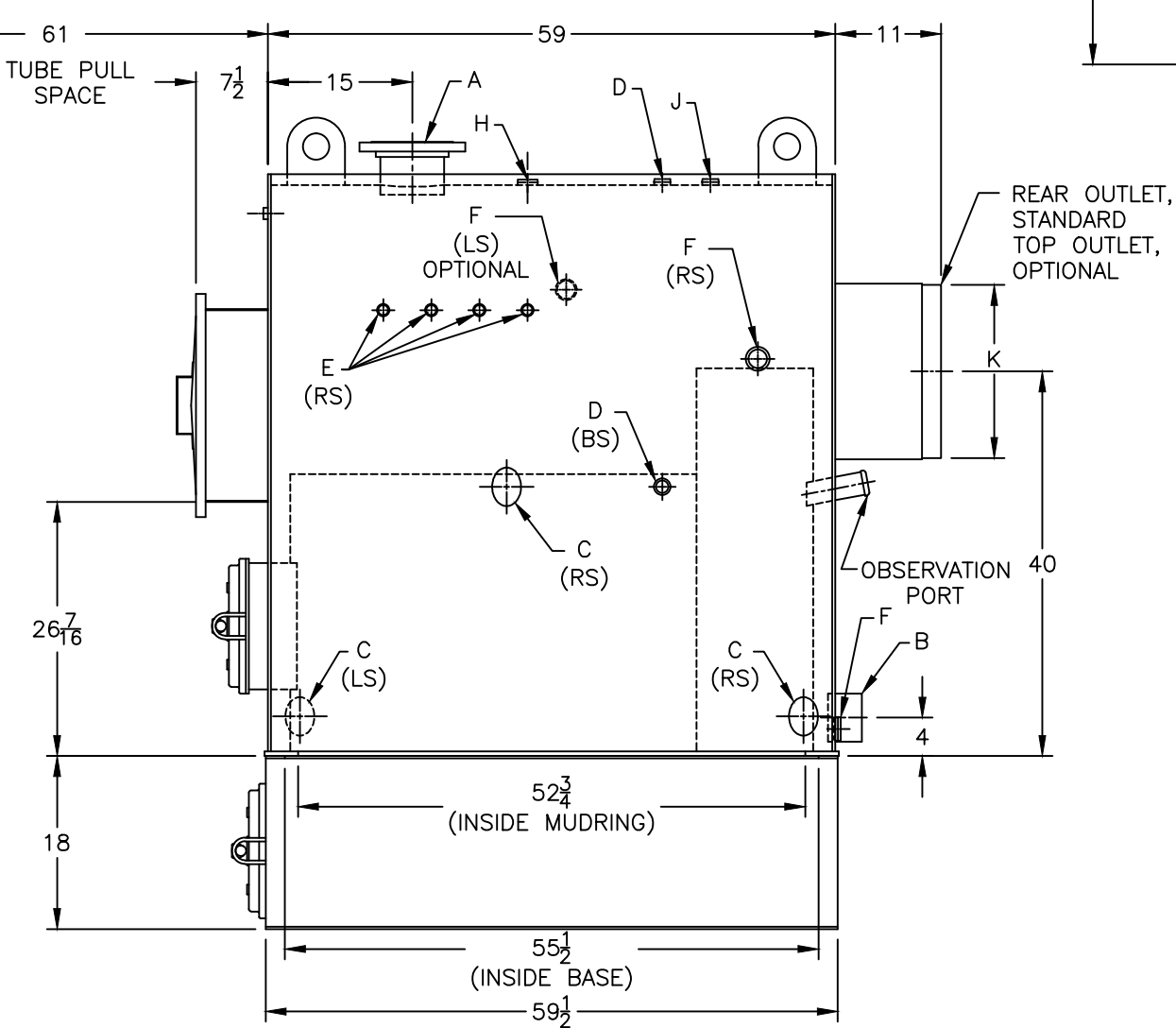
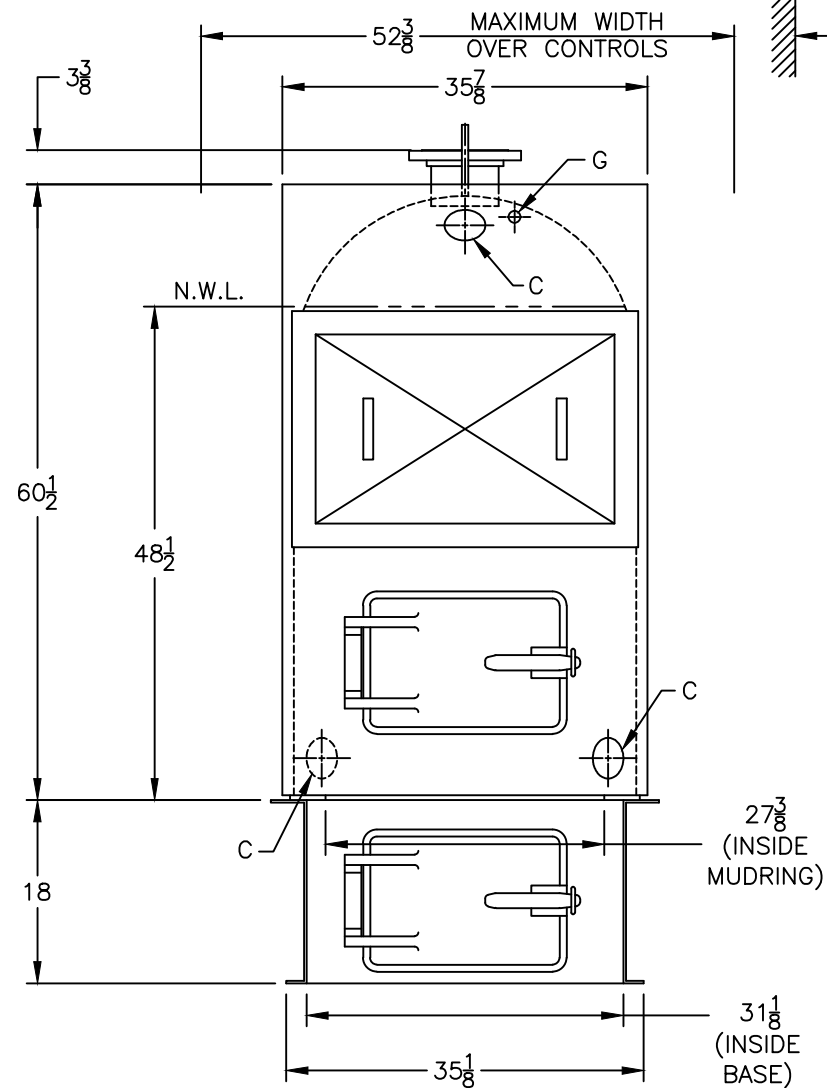
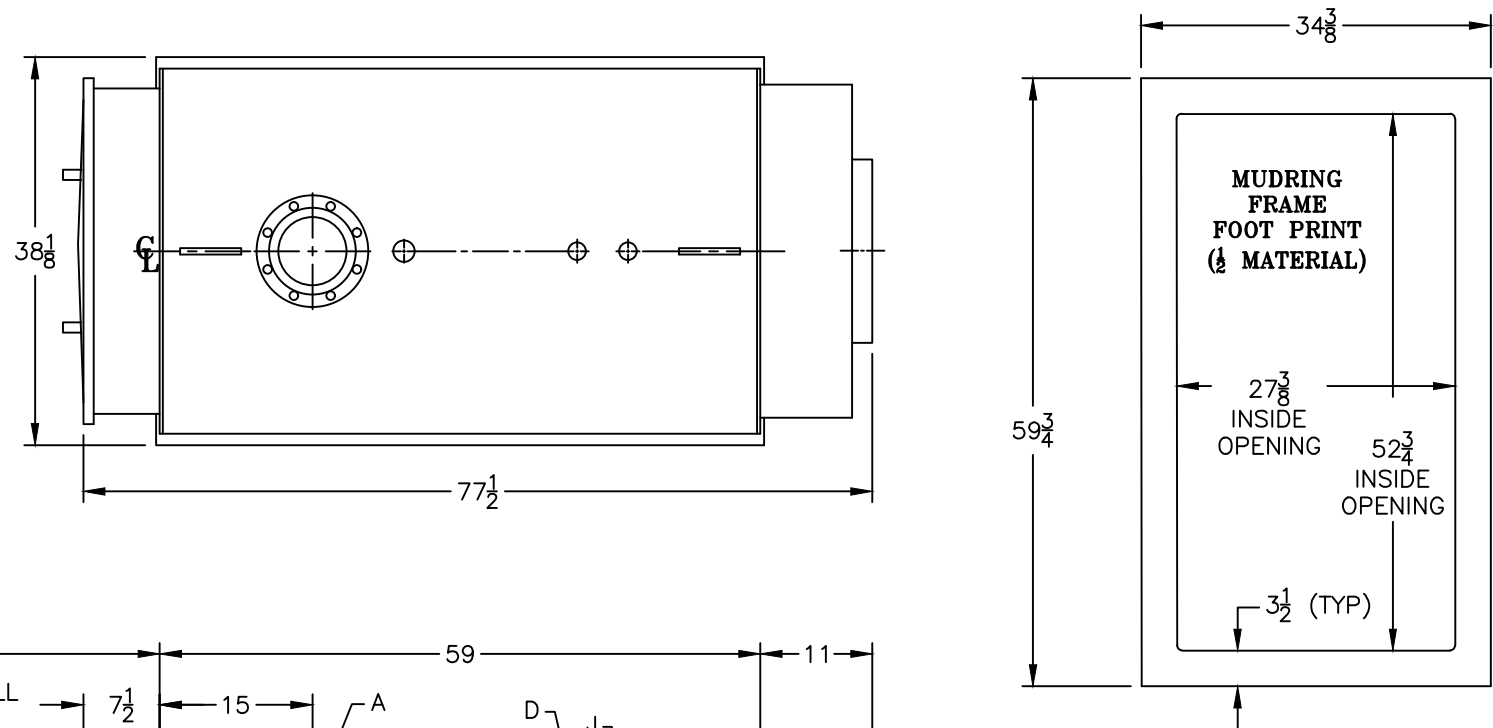
Furnace
 Volume (Cubic Feet) – 26.1

Water Content
 Steam – 163 Gal. (U.S.)
 Water – 223 Gal. (U.S.)

Approximate Weight (Lb.)
 Dry – 3100
 Wet (Steam) – 4450
 Wet (Water) – 4960

LEGEND CONNECTIONS

- A = 6" FLANGED SUPPLY
- B = 4" RETURN
- C = 3" x 4" HANDHOLE
- D = 1" WATER COLUMN
- E = 3/4" AQUASTAT
- F = 1-1/2" SURFACE BLOWOFF/WASHOUT
- G = 1/2" TEMPERATURE GAUGE
- H = 1-1/2" RELIEF VALVE
- J = 1" AUXILIARY CONNECTION
- K = 18" NOMINAL FLUE DIAMETER



SPECIFICATIONS SUBJECT TO CHANGE WITHOUT NOTICE ALL CONNECTIONS ARE THREADED UNLESS OTHERWISE SPECIFIED

THIS DOCUMENT CONTAINS CONFIDENTIAL INFORMATION WHICH IS THE PROPERTY OF BURNHAM COMMERCIAL. THIS DOCUMENT MAY NOT BE REPRODUCED, TRANSFERRED OR USED, OR ITS CONTENTS DISCLOSED, WITHOUT THE WRITTEN PERMISSION OF THE OWNER.

MODEL 4N-180A

NOV 2017 TS-3-51-2