

BURNHAM®

Commercial Boilers

LEGEND CONNECTIONS

- A = 6" FLANGED SUPPLY
- B = 4" RETURN
- C = 3" x 4" HANDHOLE
- D = 1" WATER COLUMN
- E = 3/4" AQUASTAT
- F = 1-1/2" SURFACE BLOWOFF/WASHOUT
- G = 1/2" TEMPERATURE GAUGE
- H = 2" RELIEF VALVE
- J = 1" AUXILIARY CONNECTION
- K = 20" NOMINAL FLUE DIAMETER

RATINGS AND DATA

Shell Diameter : $41\frac{7}{8}$ "

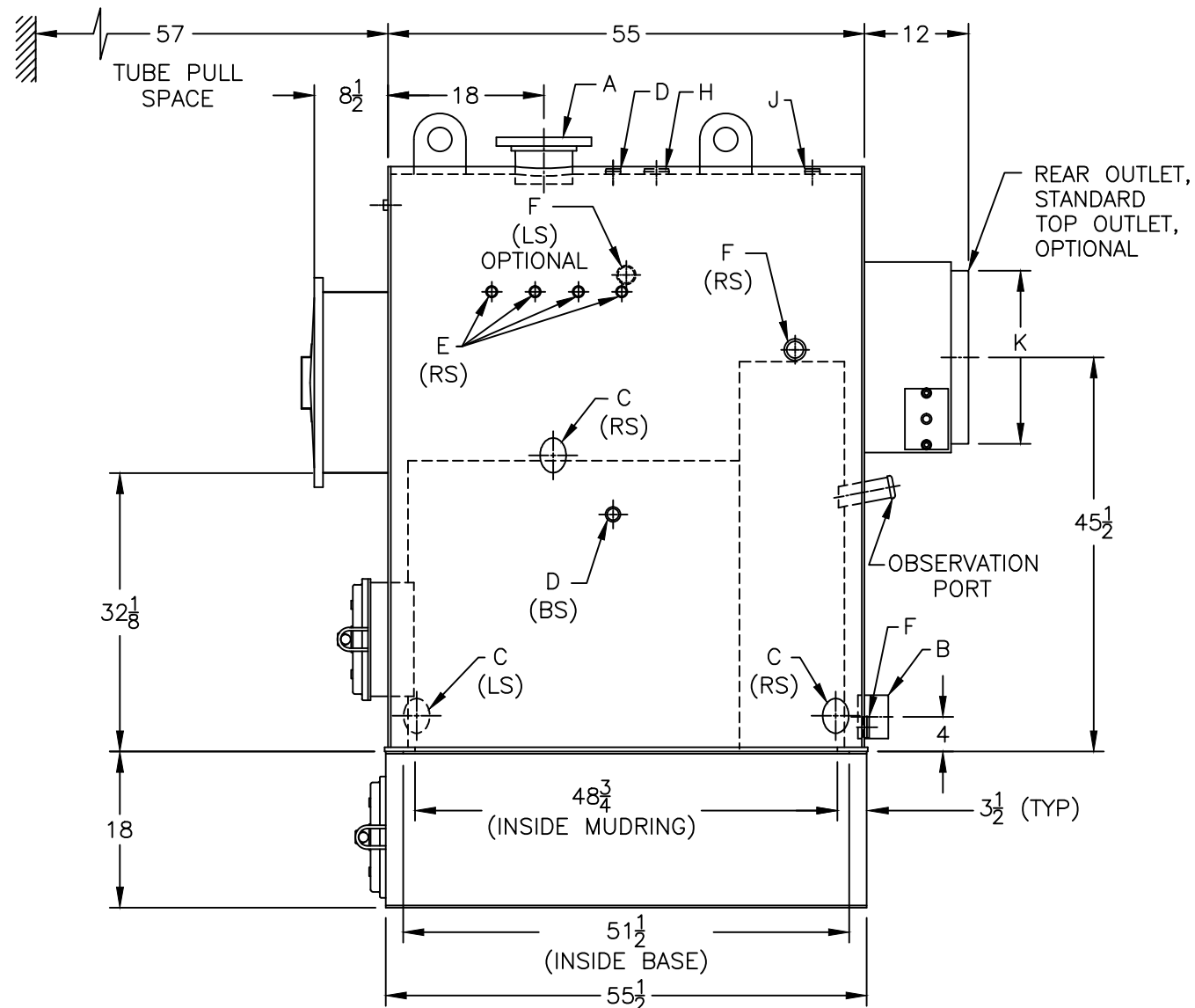
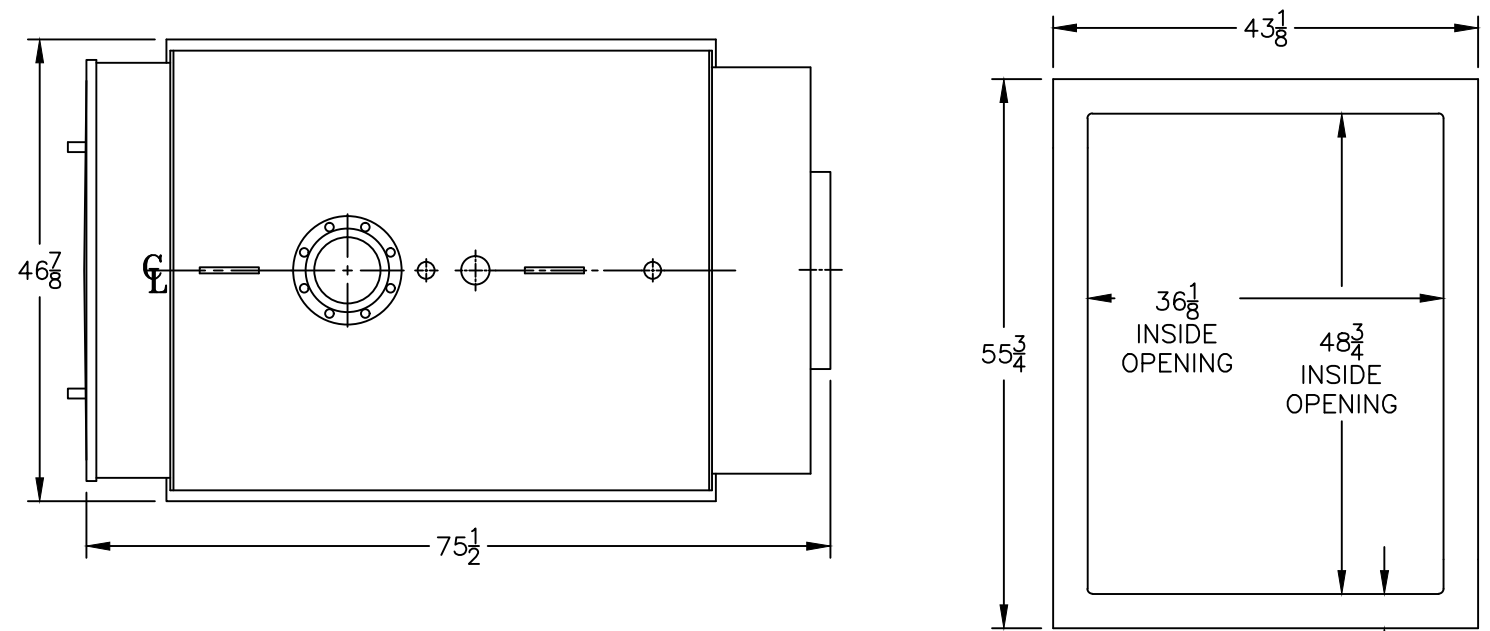
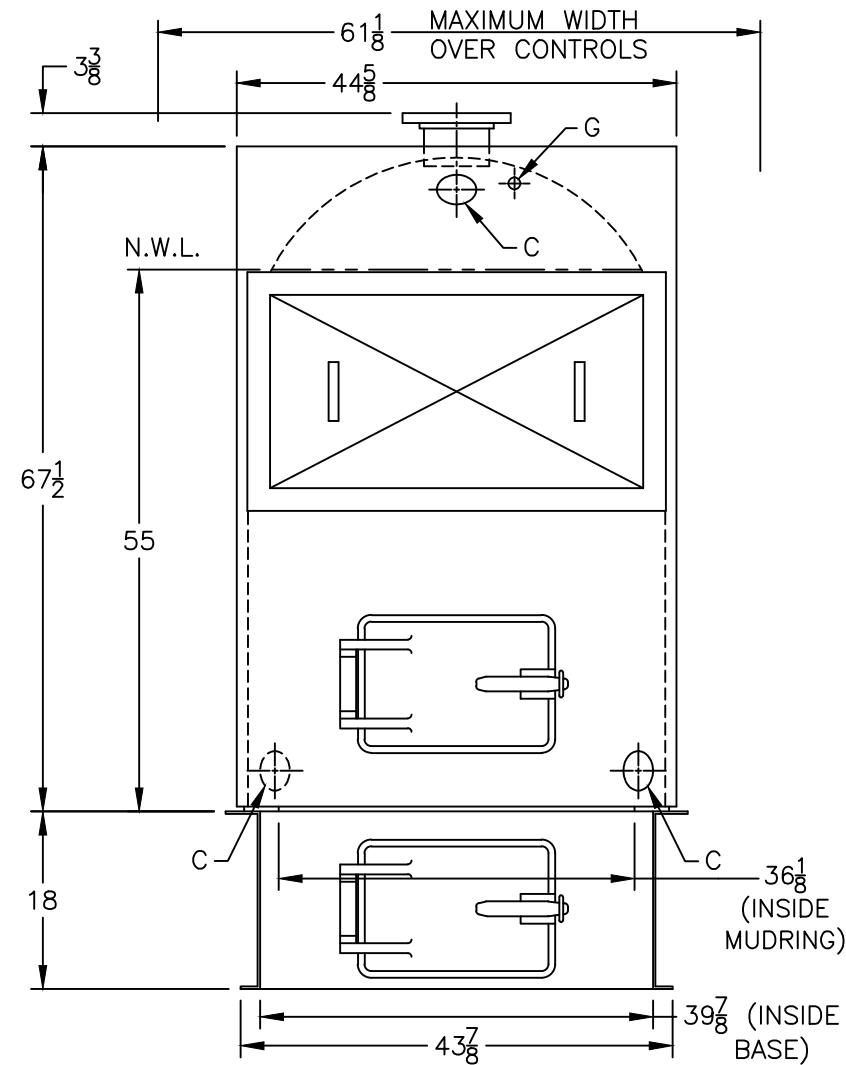
Heating Surface – Sq. Ft.
 Fireside – 183
 Waterside – 193

Firetubes
 Number – 44
 Diameter – 3" O.D.

Furnace
 Volume (Cubic Feet) – 35.7

Water Content
 Steam – 203 Gal. (U.S.)
 Water – 272 Gal. (U.S.)

Approximate Weight (Lb.)
 Dry – 3900
 Wet (Steam) – 5590
 Wet (Water) – 6170



$3\frac{1}{2}$ (TYP)

MUDRING FRAME
 FOOT PRINT
 ($\frac{1}{2}$ MATERIAL)

SPECIFICATIONS SUBJECT TO CHANGE WITHOUT NOTICE ALL CONNECTIONS ARE THREADED UNLESS OTHERWISE SPECIFIED

THIS DOCUMENT CONTAINS CONFIDENTIAL INFORMATION WHICH IS THE PROPERTY OF BURNHAM COMMERCIAL. THIS DOCUMENT MAY NOT BE REPRODUCED, TRANSFERRED OR USED, OR ITS CONTENTS DISCLOSED, WITHOUT THE WRITTEN PERMISSION OF THE OWNER.

MODEL 4N-240A

NOV 2017 TS-3-53-2