

BURNHAM®

Commercial Boilers

LEGEND CONNECTIONS

- A = 8" FLANGED SUPPLY
- B = 4" RETURN
- C = 3" x 4" HANDHOLE
- D = 1" WATER COLUMN
- E = 3/4" AQUASTAT
- F = 1-1/2" SURFACE BLOWOFF/WASHOUT
- G = 1/2" TEMPERATURE GAUGE
- H = 2" RELIEF VALVE
- J = 1" AUXILIARY CONNECTION
- K = 20" NOMINAL FLUE DIAMETER

RATINGS AND DATA

Shell Diameter : 41 $\frac{7}{8}$ "

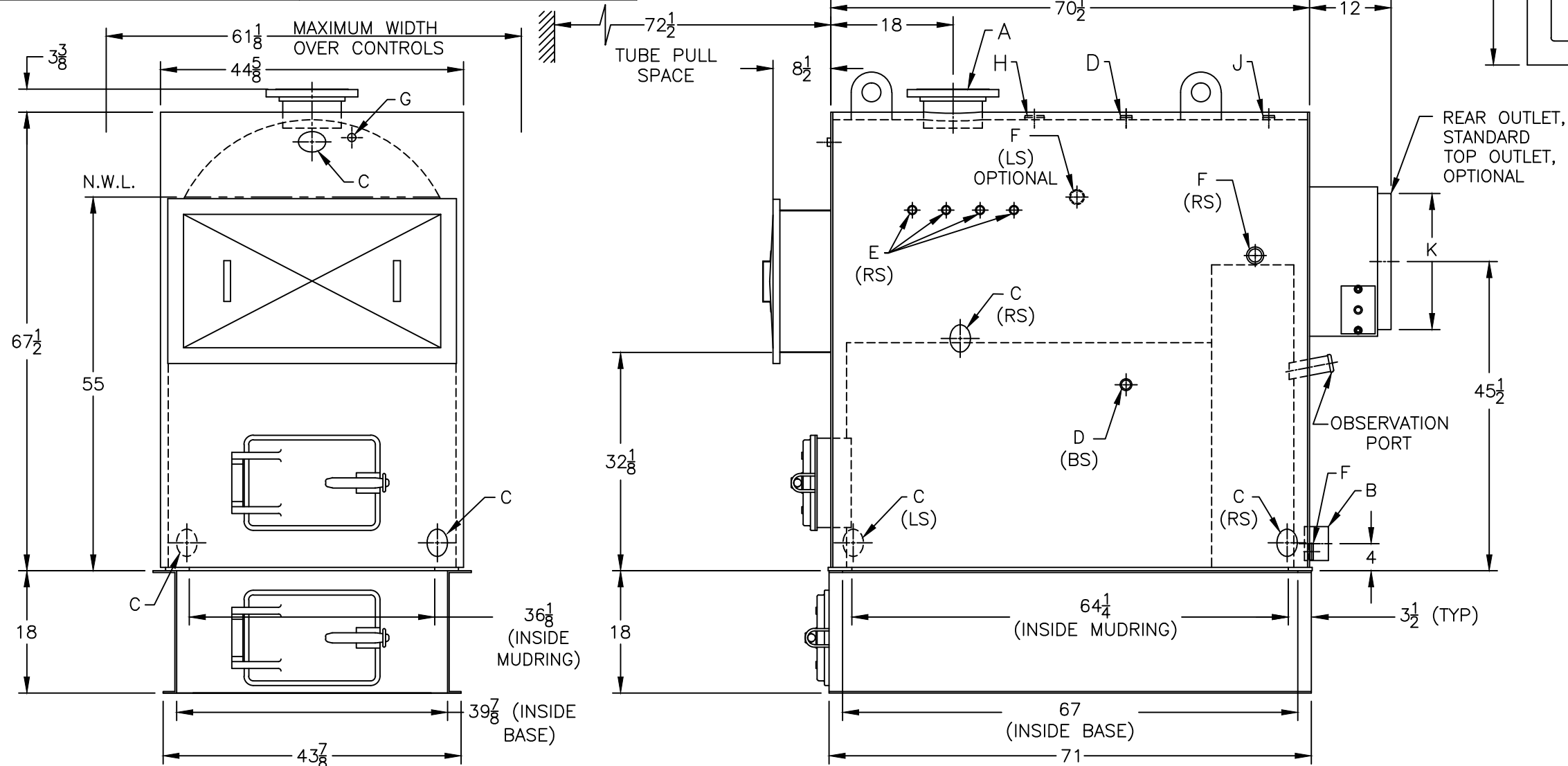
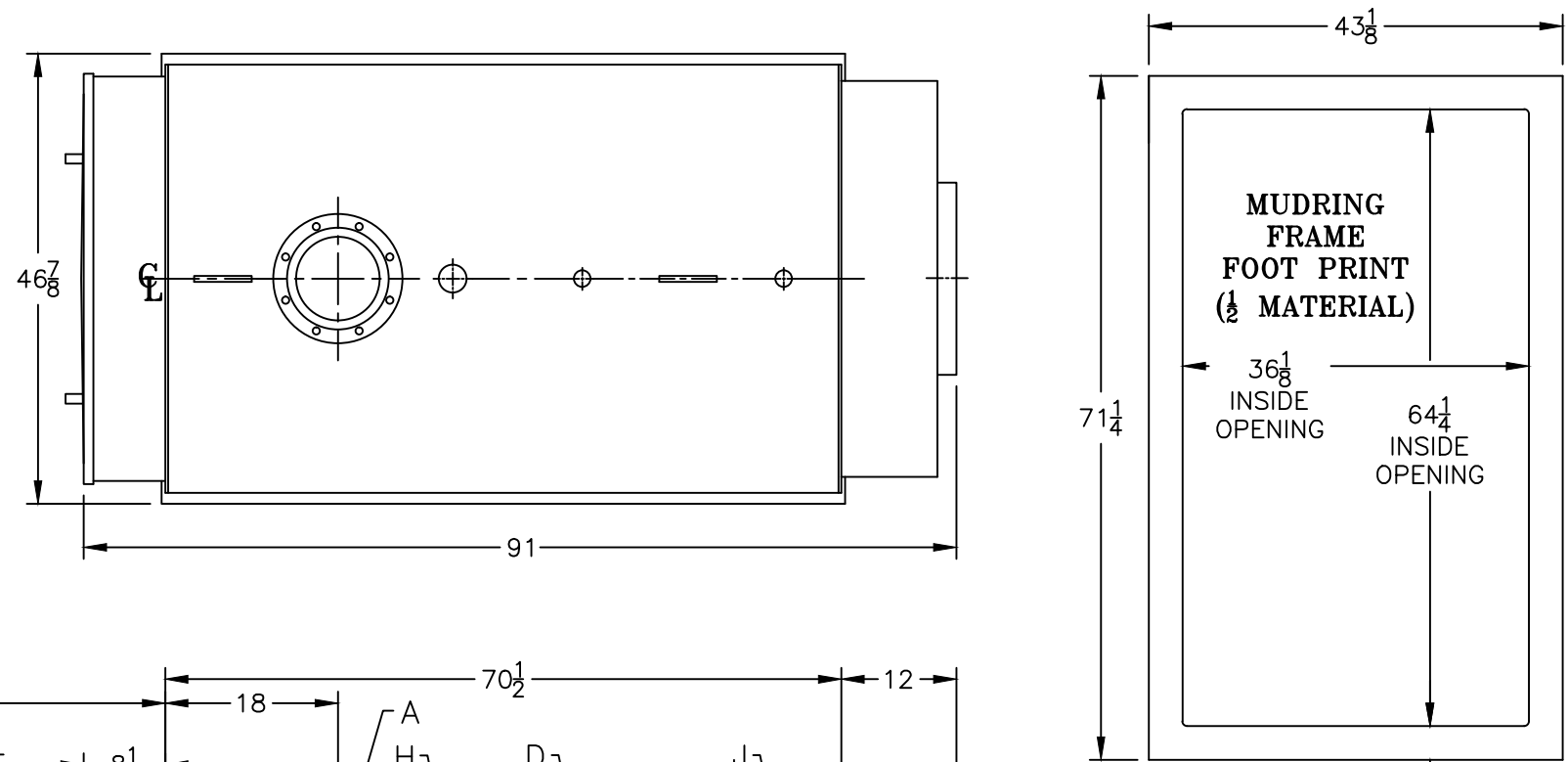
Heating Surface - Sq. Ft.
 Fireside - 235
 Waterside - 247

Firetubes
 Number - 44
 Diameter - 3" O.D.

Furnace
 Volume (Cubic Feet) - 45.4

Water Content
 Steam - 261 Gal. (U.S.)
 Water - 350 Gal. (U.S.)

Approximate Weight (Lb.)
 Dry - 4900
 Wet (Steam) - 7070
 Wet (Water) - 7820



SPECIFICATIONS SUBJECT TO CHANGE WITHOUT NOTICE ALL CONNECTIONS ARE THREADED UNLESS OTHERWISE SPECIFIED
 THIS DOCUMENT CONTAINS CONFIDENTIAL INFORMATION WHICH IS THE PROPERTY OF BURNHAM COMMERCIAL. THIS DOCUMENT MAY NOT BE REPRODUCED, TRANSFERRED OR USED, OR ITS CONTENTS DISCLOSED, WITHOUT THE WRITTEN PERMISSION OF THE OWNER.

MODEL 4N-311A

NOV 2017 TS-3-55-2