

BURNHAM®

Commercial Boilers

LEGEND CONNECTIONS

- A = 8" FLANGED SUPPLY
- B = 4" RETURN
- C = 3" x 4" HANDHOLE
- D = 1" WATER COLUMN
- E = 3/4" AQUASTAT
- F = 1-1/2" SURFACE BLOWOFF/WASHOUT
- G = 1/2" TEMPERATURE GAUGE
- H = 1-1/2" SAFETY VALVE
- 1-1/4" SAFETY VALVE
- J = 20" NOMINAL FLUE DIAMETER

RATINGS AND DATA

Shell Diameter : 41 $\frac{7}{8}$ "

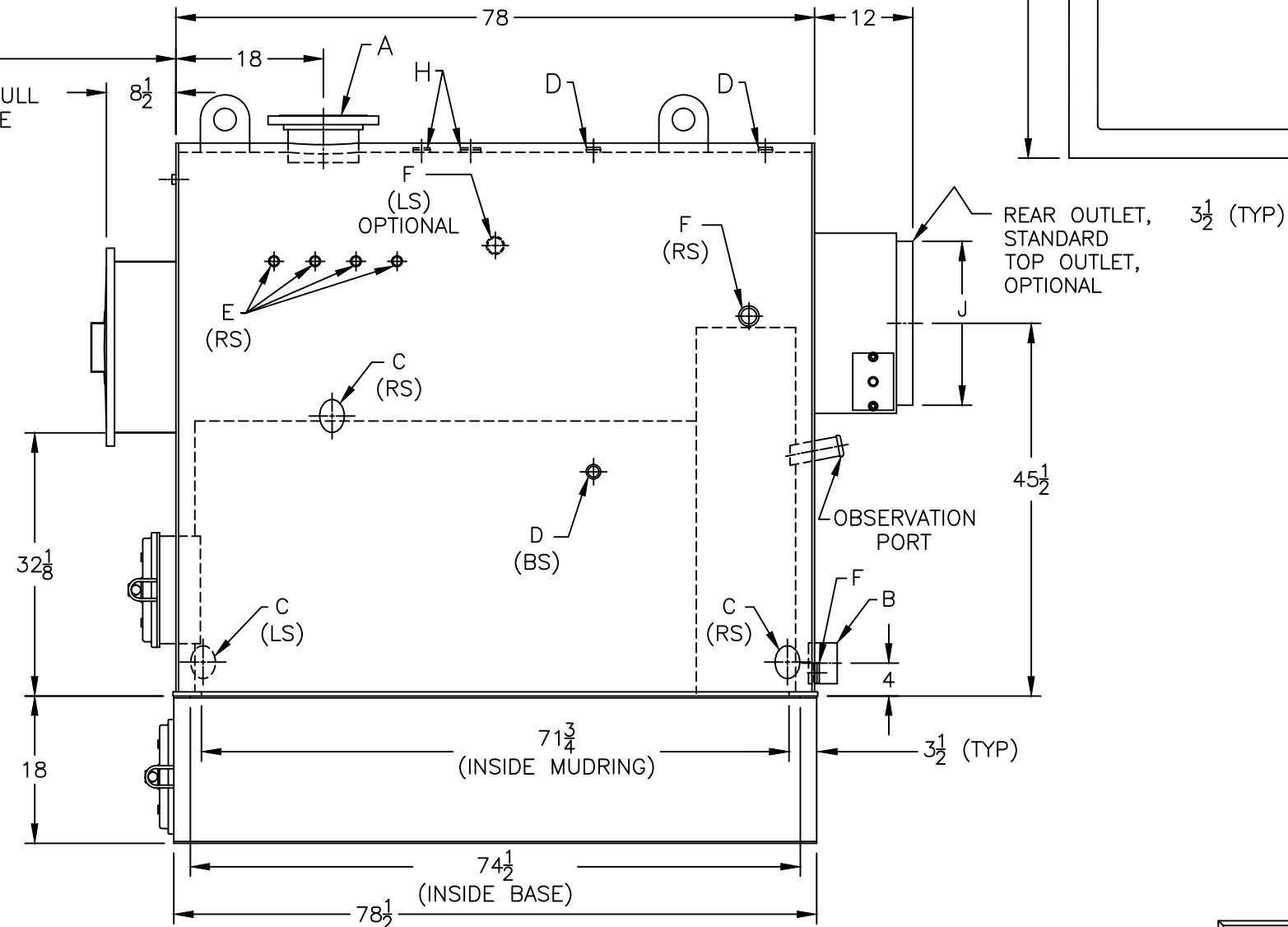
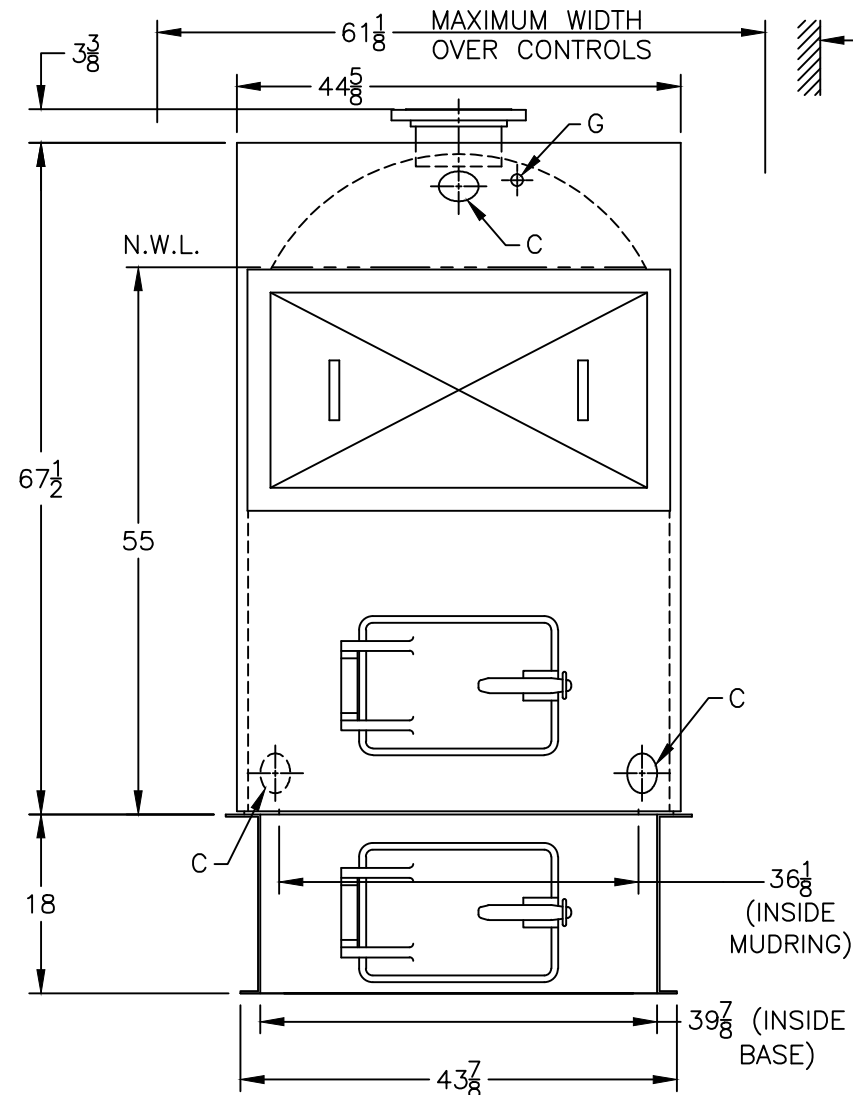
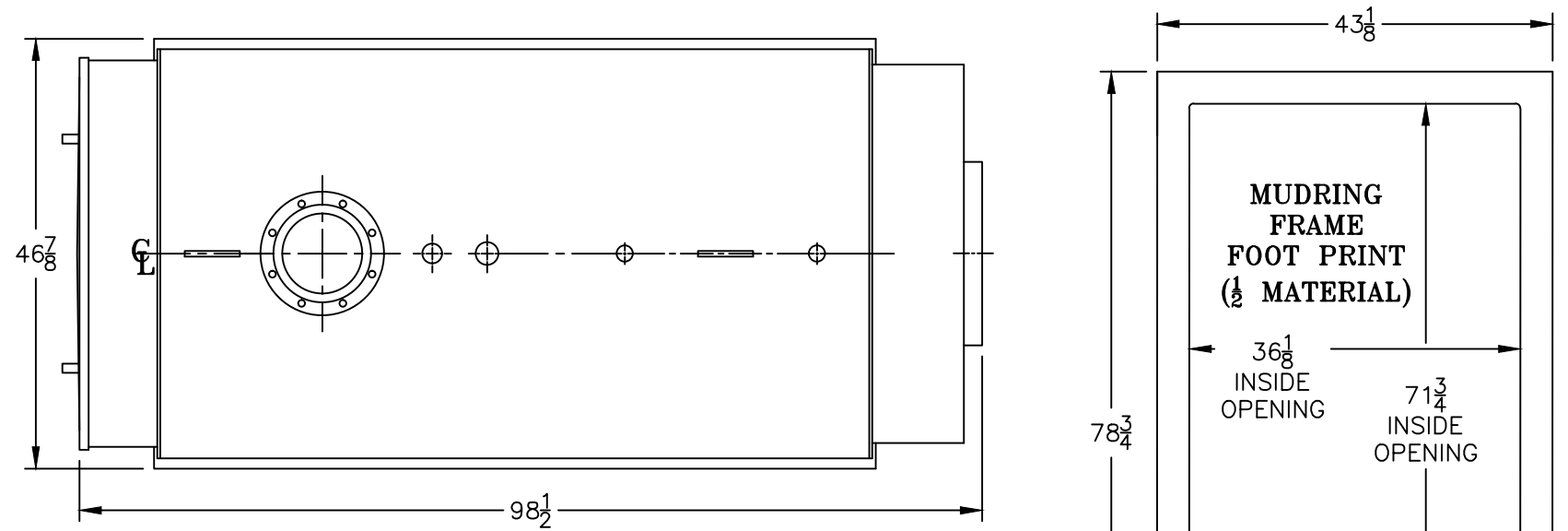
Heating Surface - Sq. Ft.
 Fireside - 260
 Waterside - 274

Firetubes
 Number - 44
 Diameter - 3" O.D.

Furnace
 Volume (Cubic Feet) - 50.1

Water Content
 Steam - 289 Gal. (U.S.)
 Water - 388 Gal. (U.S.)

Approximate Weight (Lb.)
 Dry - 5200
 Wet (Steam) - 7600
 Wet (Water) - 8430



SPECIFICATIONS SUBJECT TO CHANGE WITHOUT NOTICE ALL CONNECTIONS ARE THREADED UNLESS OTHERWISE SPECIFIED
 THIS DOCUMENT CONTAINS CONFIDENTIAL INFORMATION WHICH IS THE PROPERTY OF BURNHAM COMMERCIAL. THIS DOCUMENT MAY NOT BE REPRODUCED, TRANSFERRED OR USED, OR ITS CONTENTS DISCLOSED, WITHOUT THE WRITTEN PERMISSION OF THE OWNER.

MODEL 4N-345A

NOV 2017 TS-3-56-2