

# BURNHAM®

## Commercial Boilers

### LEGEND CONNECTIONS

- A = 10" FLANGED SUPPLY
- B = 4" RETURN
- C = 3" x 4" HANDHOLE
- D = 1" WATER COLUMN
- E = 3/4" AQUASTAT
- F = 1-1/2" SURFACE BLOWOFF/WASHOUT
- G = 1/2" TEMPERATURE GAUGE
- H = 2" RELIEF VALVE
- J = 1" AUXILIARY CONNECTION
- K = 26" NOMINAL FLUE DIAMETER

### RATINGS AND DATA

Shell Diameter : 51 $\frac{3}{8}$ "

---

Heating Surface - Sq. Ft.  
 Fireside - 563  
 Waterside - 608

---

Firetubes  
 Number - 82  
 Diameter - 3" O.D.

---

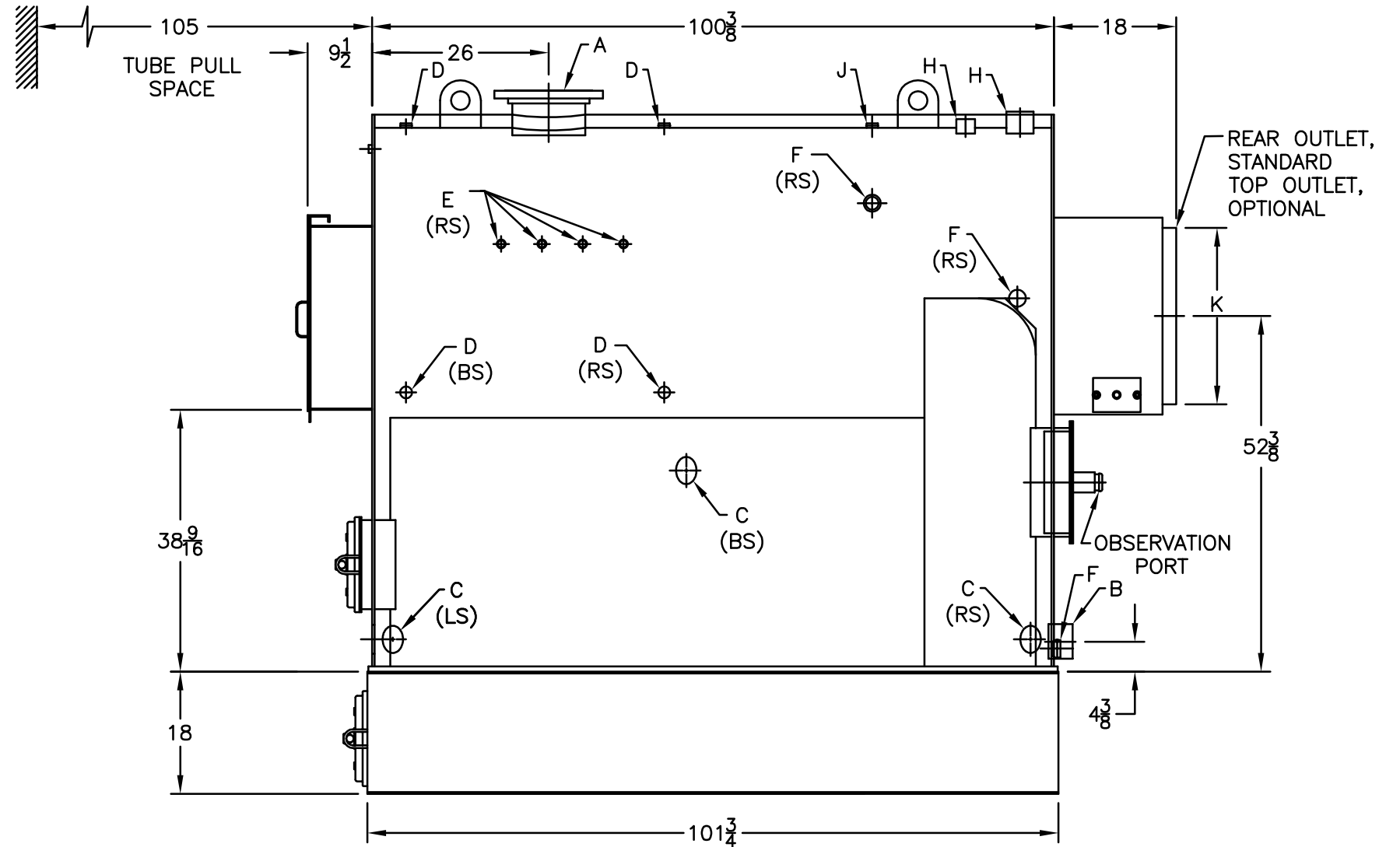
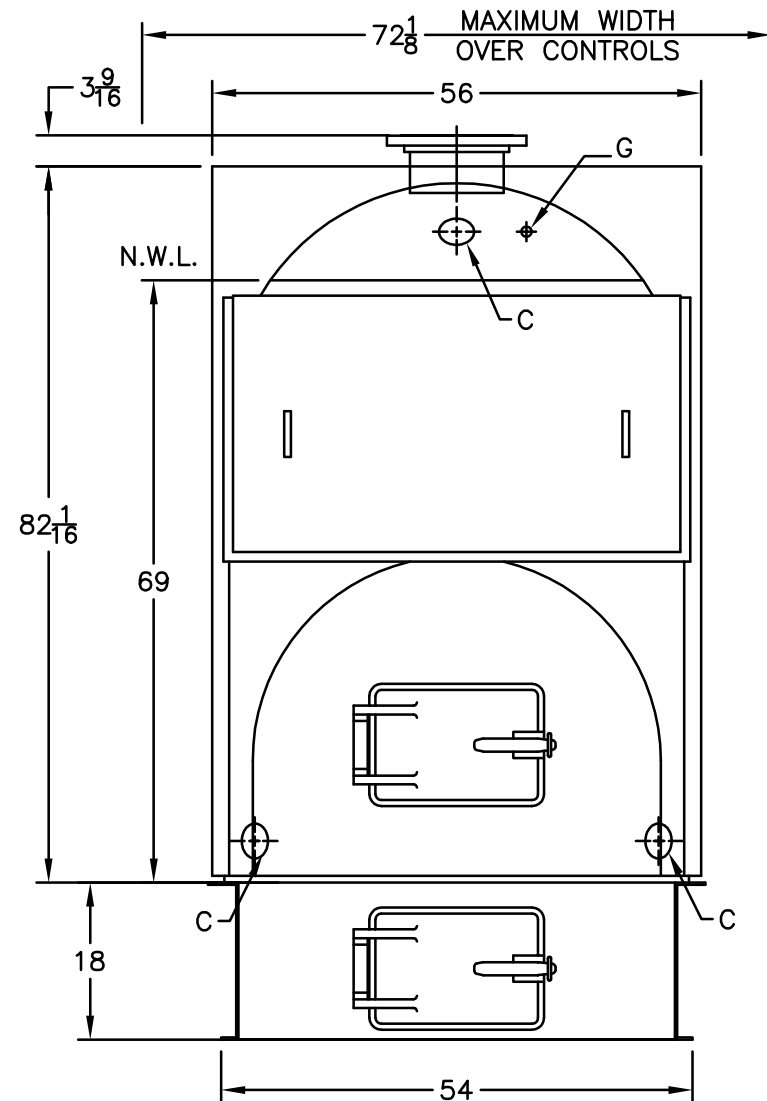
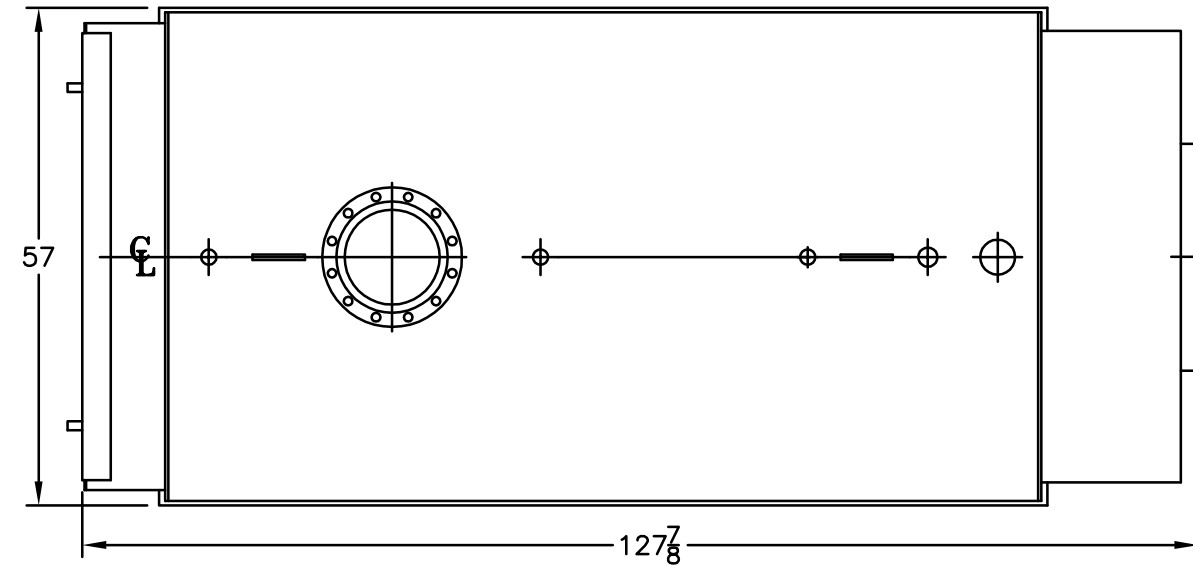
Furnace  
 Volume (Cubic Feet) - 89.9

---

Water Content  
 Steam - 598 Gal. (U.S.)  
 Water - 733 Gal. (U.S.)

---

Approximate Weight (Lb.)  
 Dry - 8500  
 Wet (Steam) - 13460  
 Wet (Water) - 14615



SPECIFICATIONS SUBJECT TO CHANGE WITHOUT NOTICE ALL CONNECTIONS ARE THREADED UNLESS OTHERWISE SPECIFIED  
 THIS DOCUMENT CONTAINS CONFIDENTIAL INFORMATION WHICH IS THE PROPERTY OF BURNHAM COMMERCIAL. THIS DOCUMENT MAY NOT BE REPRODUCED, TRANSFERRED OR USED, OR ITS CONTENTS DISCLOSED, WITHOUT THE WRITTEN PERMISSION OF THE OWNER.

**MODEL 4N-563A**

NOV 2015 TS-3-59-2