

# BURNHAM®

## Commercial Boilers

### RATINGS AND DATA

Shell Diameter : 66"

---

Heating Surface - Sq. Ft.  
 Fireside - 1157  
 Waterside - 1250

Firetubes  
 Number - 158  
 Diameter - 3" O.D.

---

Furnace  
 Volume (Cubic Feet) - 157.4

---

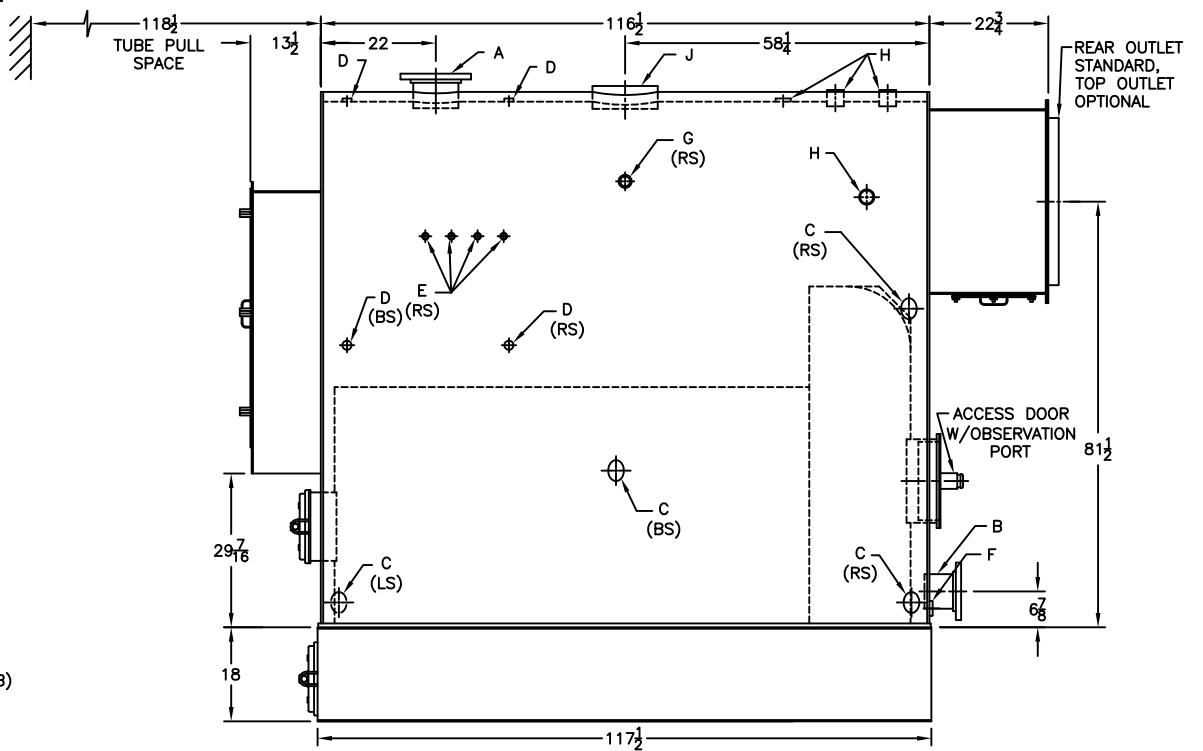
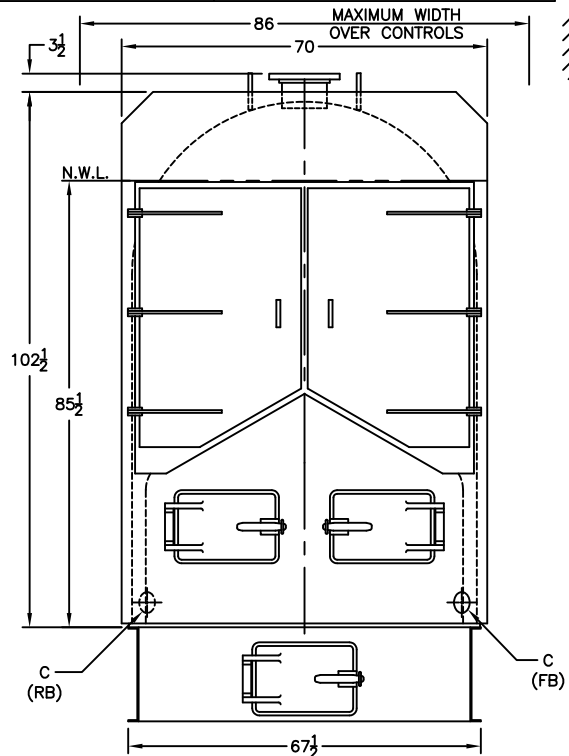
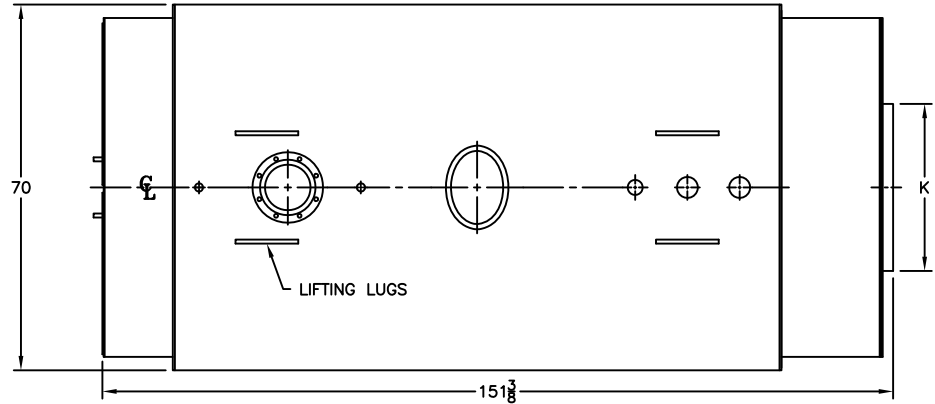
Water Content  
 Steam - 1053 Gal. (U.S.)  
 Water - 1336 Gal. (U.S.)

---

Approximate Weight (Lb.)  
 Dry - 16600  
 Wet (Steam) - 25340  
 Wet (Water) - 27745

### LEGEND CONNECTIONS

- A = 8" FLANGED SUPPLY
- B = 4" RETURN (STEAM)
- 6" FLANGED RETURN (WATER)
- C = 3" x 4" HANDHOLE
- D = 1" WATER COLUMN
- E = 3/4" AQUASTAT
- F = 2" WASHOUT
- G = 1-1/2" SURFACE BLOWOFF
- H = 2" SAFETY/RELIEF VALVE
- 2-1/2" SAFETY/RELIEF VALVE (2)
- J = 12" X 16" MANHOLE
- K = 32" NOMINAL FLUE DIAMETER



**MODEL 4N-1157**

DEC 2009 TS-3-63-2

SPECIFICATIONS SUBJECT TO CHANGE WITHOUT NOTICE ALL CONNECTIONS ARE THREADED UNLESS OTHERWISE SPECIFIED  
 THIS DOCUMENT CONTAINS CONFIDENTIAL INFORMATION WHICH IS THE PROPERTY OF BURNHAM COMMERCIAL. THIS DOCUMENT MAY NOT BE REPRODUCED, TRANSFERRED OR USED, OR ITS CONTENTS DISCLOSED, WITHOUT THE WRITTEN PERMISSION OF THE OWNER.