

BURNHAM®

Commercial Boilers

LEGEND CONNECTIONS

- A = 8" FLANGED SUPPLY
- B = 6" FLANGED RETURN (STEAM)
- 8" FLANGED RETURN (WATER)
- C = 3" x 4" HANDHOLE
- D = 1" WATER COLUMN
- E = 3/4" AQUASTAT
- F = 2" WASHOUT
- G = 1-1/2" SURFACE BLOWOFF
- H = 2-1/2" SAFETY/RELIEF VALVE
- J = 12" X 16" MANHOLE
- K = 35" NOMINAL FLUE DIAMETER

RATINGS AND DATA

Shell Diameter : 66"

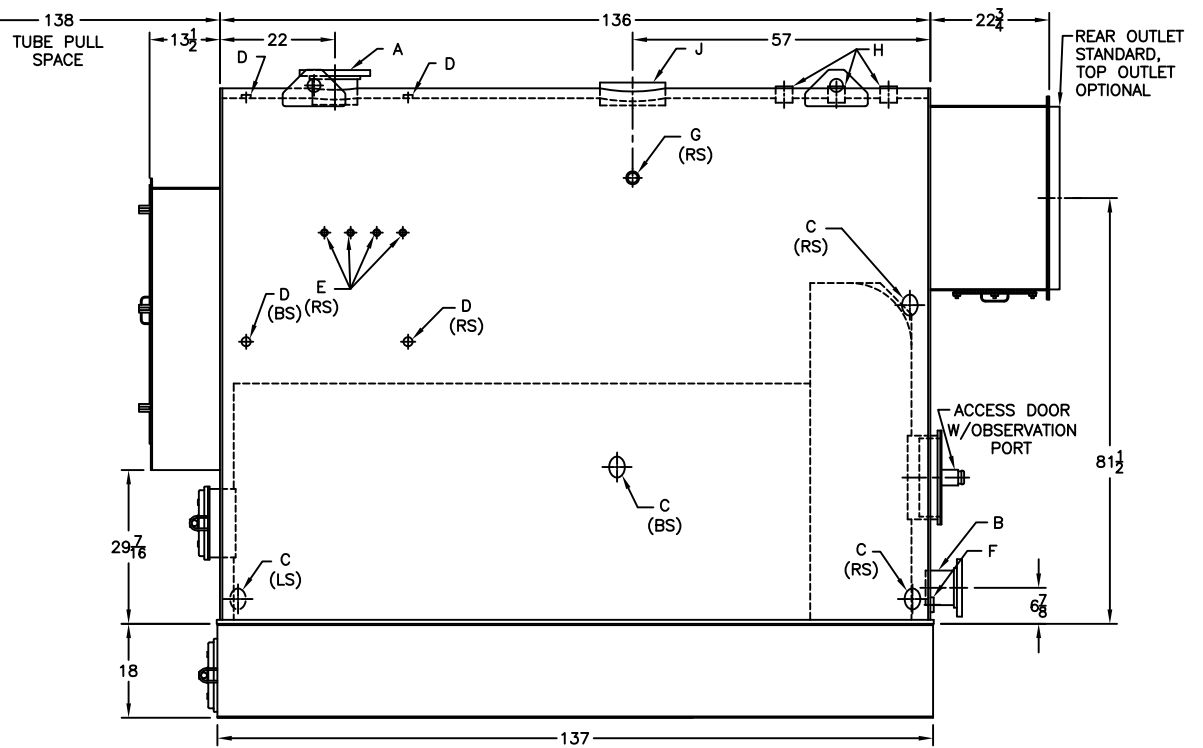
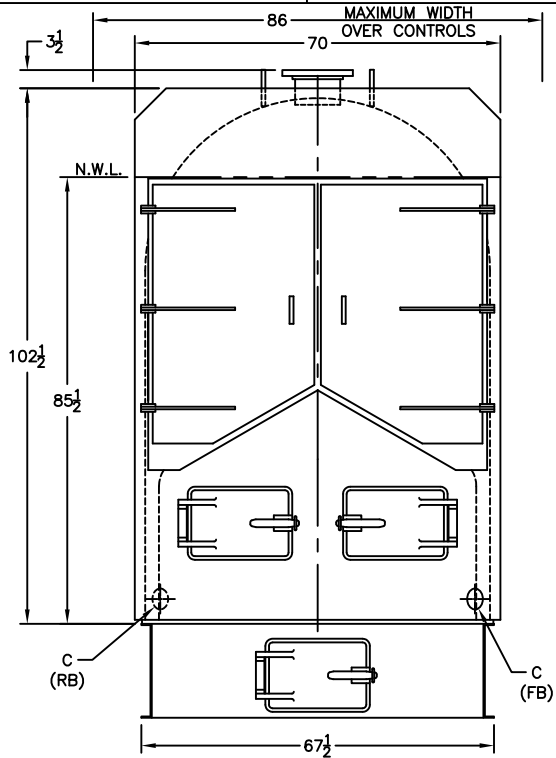
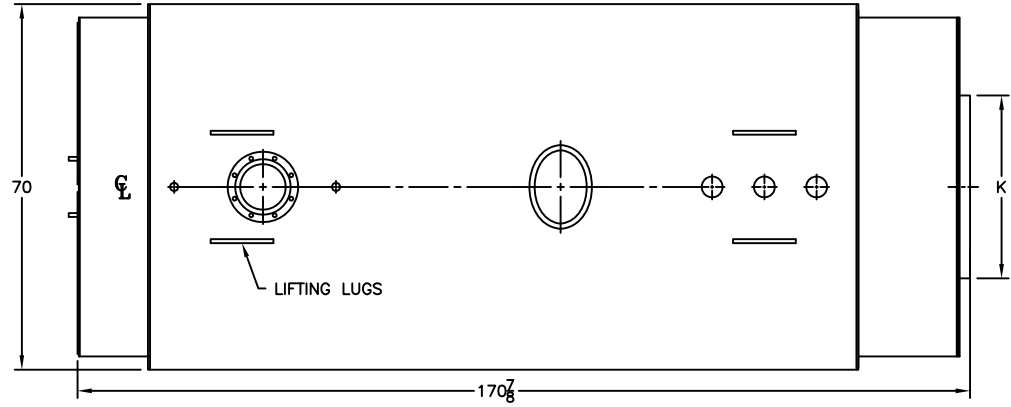
Heating Surface - Sq. Ft.
 Fireside - 1323
 Waterside - 1429

Firtubes
 Number - 158
 Diameter - 3" O.D.

Furnace
 Volume (Cubic Feet) - 183.1

Water Content
 Steam - 1227 Gal. (U.S.)
 Water - 1558 Gal. (U.S.)

Approximate Weight (Lb.)
 Dry - 18600
 Wet (Steam) - 28780
 Wet (Water) - 31590



MODEL 4N-1323

DEC 2009 TS-3-64-2

SPECIFICATIONS SUBJECT TO CHANGE WITHOUT NOTICE ALL CONNECTIONS ARE THREADED UNLESS OTHERWISE SPECIFIED
 THIS DOCUMENT CONTAINS CONFIDENTIAL INFORMATION WHICH IS THE PROPERTY OF BURNHAM COMMERCIAL. THIS DOCUMENT MAY NOT BE REPRODUCED, TRANSFERRED OR USED, OR ITS CONTENTS DISCLOSED, WITHOUT THE WRITTEN PERMISSION OF THE OWNER.