

# BURNHAM®

## Commercial Boilers

### RATINGS AND DATA

Shell Diameter : 84"

Heating Surface - Sq. Ft.  
 Fireside - 3075  
 Waterside - 3321

Firetubes  
 Number - 367  
 Diameter - 2.5" O.D.

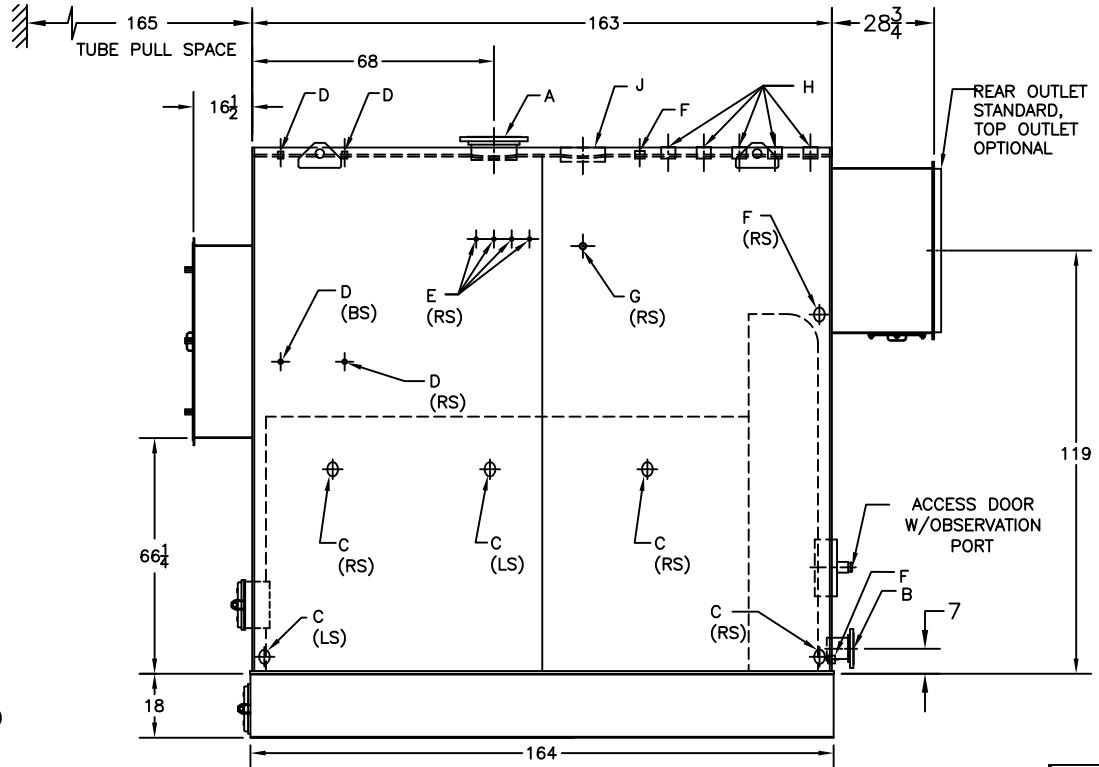
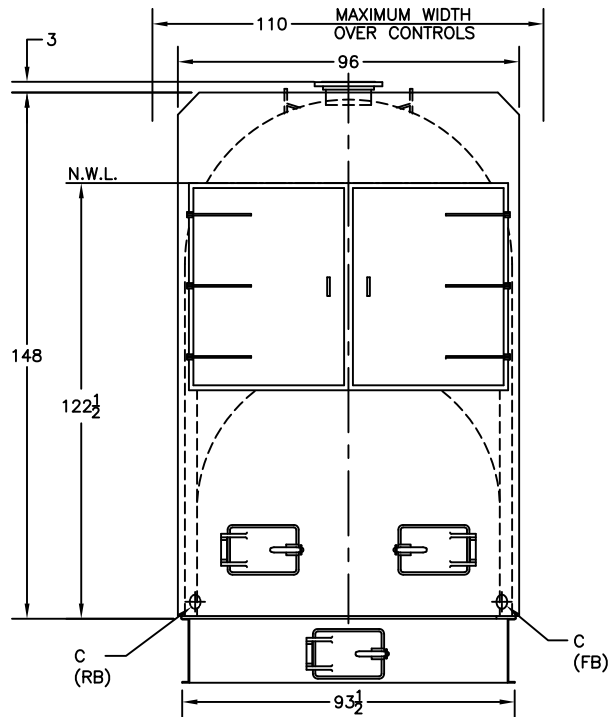
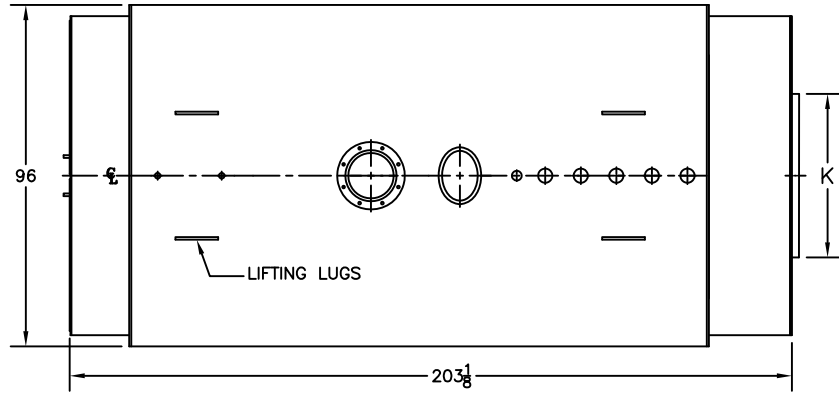
Furnace  
 Volume (Cubic Feet) - 514.3

Water Content  
 Steam - 2690 Gal. (U.S.)  
 Water - 3595 Gal. (U.S.)

Approximate Weight (Lb.)  
 Dry - 48200  
 Wet (Steam) - 70530  
 Wet (Water) - 78180

### LEGEND CONNECTIONS

- A = 12" FLANGED SUPPLY
- B = 6" FLANGED RETURN (STEAM)
- = 8" FLANGED RETURN (WATER)
- C = 3" x 4" HANDHOLE
- D = 1" WATER COLUMN
- E = 3/4" AQUASTAT
- F = 2" WASHOUT/CHEMICAL FEED
- G = 1 1/2" SURFACE BLOWOFF
- H = 3" SAFETY VALVE (STEAM-4)
- = 2" SAFETY VALVE (WATER-5)
- J = 12" X 16" MANHOLE
- K = 46" DIA. FLUE VENT



**MODEL 4N-3075**

SPECIFICATIONS SUBJECT TO CHANGE WITHOUT NOTICE ALL CONNECTIONS ARE THREADED UNLESS OTHERWISE SPECIFIED  
 THIS DOCUMENT CONTAINS CONFIDENTIAL INFORMATION WHICH IS THE PROPERTY OF BURNHAM COMMERCIAL. THIS DOCUMENT MAY NOT BE REPRODUCED, TRANSFERRED OR USED, OR ITS CONTENTS DISCLOSED, WITHOUT THE WRITTEN PERMISSION OF THE OWNER.