

# BURNHAM®

## Commercial Boilers

### RATINGS AND DATA

Shell Diameter : 78"

Heating Surface - Sq. Ft.

Fireside - 2500

Firetubes

Number - 285

Diameter - 2½" O.D.

Furnace

Volume (Cubic Feet) - 521.3

Water Content

Steam - 2209 Gal. (U.S.)

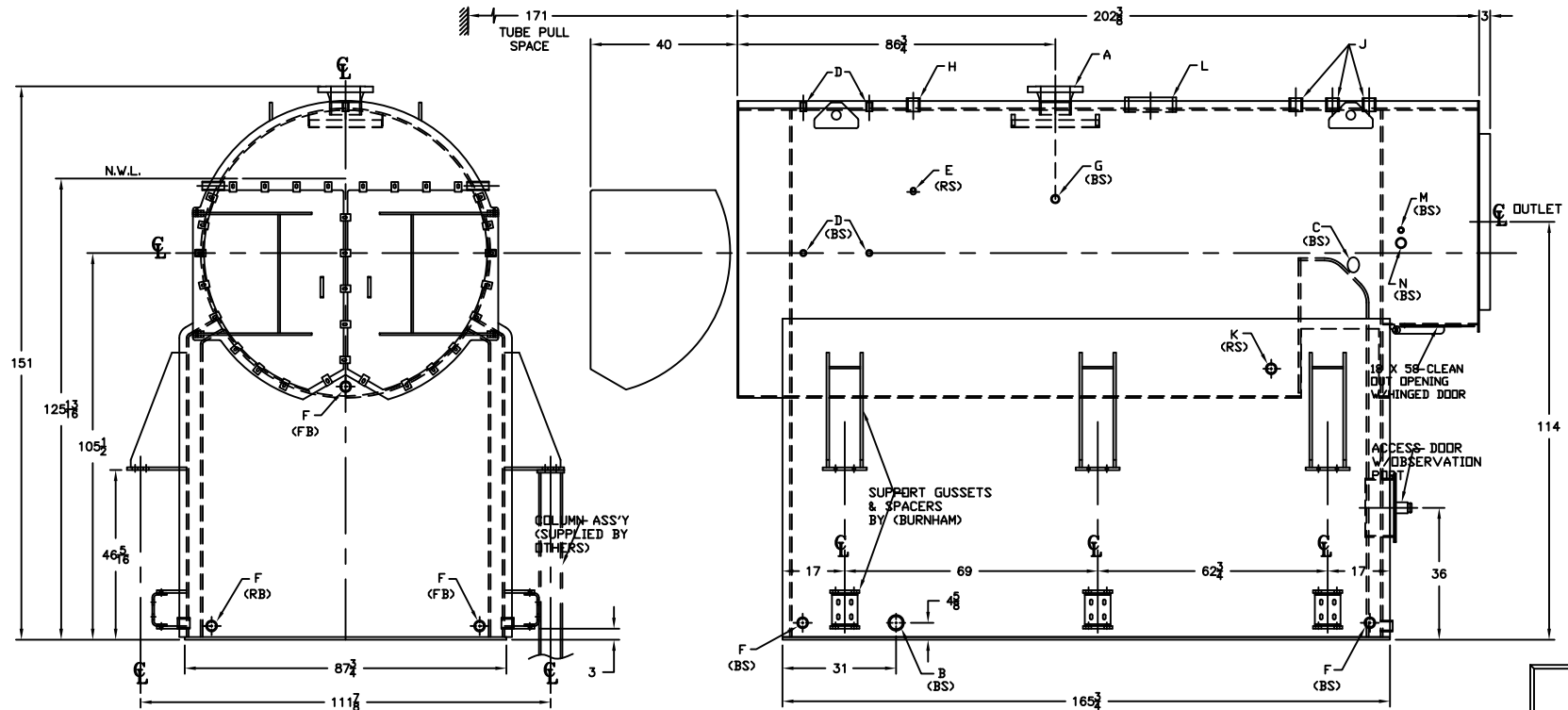
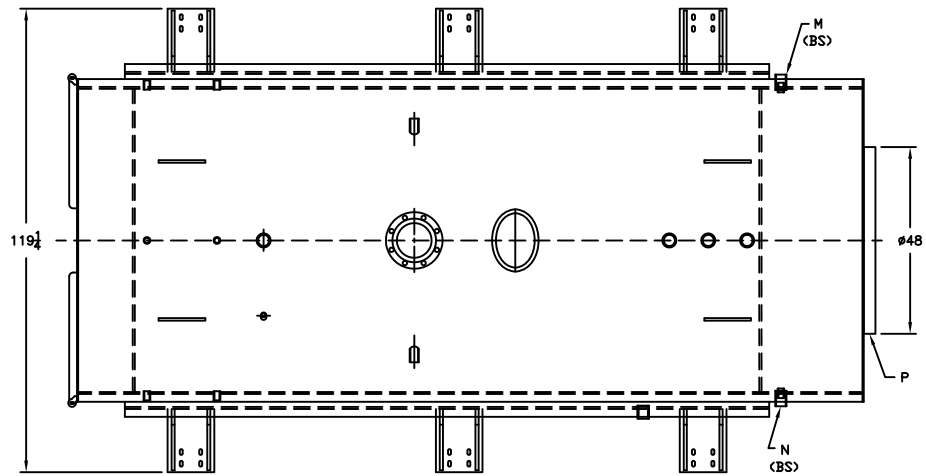
Approximate Weight (Lb.)

Dry - 40190

Wet - 58591

### LEGEND CONNECTIONS

- A = 8" FLANGED SUPPLY
- B = 3" RETURN COUPLING (2)
- C = INSP./3" x 4" HANDHOLE
- D = 1" WATER COLUMN
- E = 3/4" AQUASTAT
- F = 2" WASHOUT
- G = 2" SURFACE BLOWOFF
- H = 2-1/2" AUXILIARY
- J = 2-1/2" SAFETY/RELIEF VALVE (3)
- K = 2" FEEDWATER
- L = 12" x 16" MANHOLE
- M = 1-1/4" T.O.E. NIPPLE DRAFT
- N = 2-1/2" T.O.E. NIPPLE EYE
- P = 48" NOMINAL FLUE DIAMETER



**4NP-2500**  
**150 PSI STEAM**

SPECIFICATIONS SUBJECT TO CHANGE WITHOUT NOTICE ALL CONNECTIONS ARE THREADED UNLESS OTHERWISE SPECIFIED  
THIS DOCUMENT CONTAINS CONFIDENTIAL INFORMATION WHICH IS THE PROPERTY OF BURNHAM COMMERCIAL. THIS DOCUMENT MAY NOT BE REPRODUCED, TRANSFERRED OR USED, OR ITS CONTENTS DISCLOSED, WITHOUT THE WRITTEN PERMISSION OF THE OWNER.