

BURNHAM®

Commercial Boilers

RATINGS AND DATA

Shell Diameter : 90"

Heating Surface - Sq. Ft.

Fireside - 3690

Firetubes

Number - 396

Diameter - 2½" O.D.

Furnace

Volume (Cubic Feet) - 574

Water Content

Water - 2901 Gal. (U.S.)

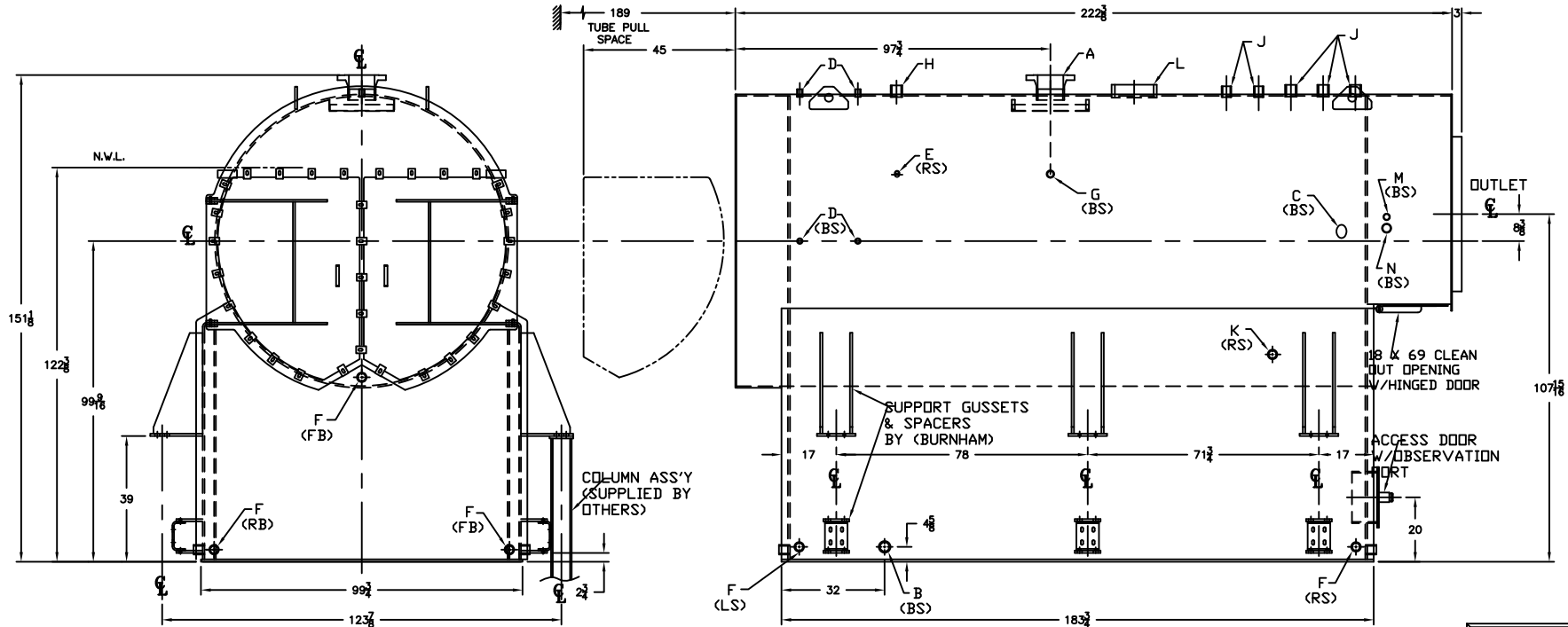
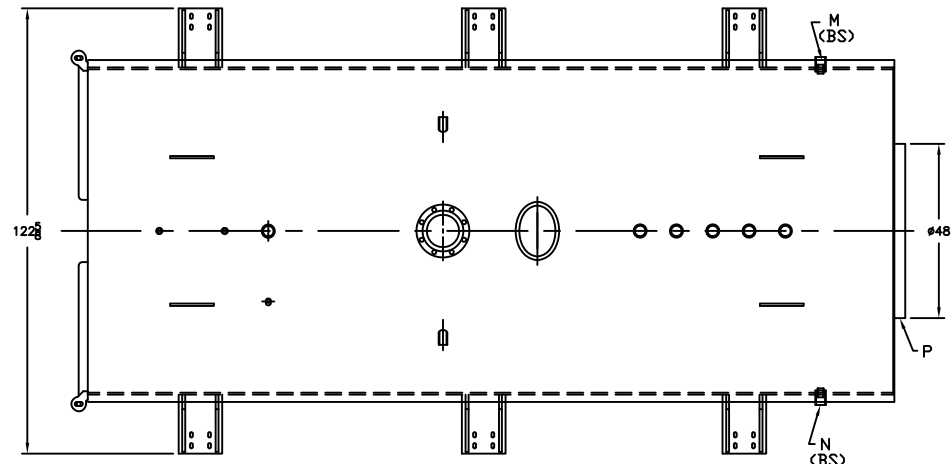
Approximate Weight (Lb.)

Dry - 55000

Wet - 79165

LEGEND CONNECTIONS

- A = 8" FLANGED SUPPLY
- B = 3" RETURN COUPLING (2)
- C = INSP./3" x 4" HANDHOLE
- D = 1" WATER COLUMN
- E = 3/4" AQUASTAT
- F = 2" WASHOUT
- G = 2" SURFACE BLOWOFF
- H = 2-1/2" AUXILIARY
- J = 2-1/2" SAFETY/RELIEF VALVE (3)
- 2" SAFETY/RELIEF VALVE (2)
- K = FEEDWATER
- L = 12" x 16" MANHOLE
- M = 1-1/4" T.O.E. NIPPLE DRAFT
- N = 2-1/2" T.O.E. NIPPLE EYE
- P = 48" NOMINAL FLUE DIAMETER



4NP-3690
150 PSI STEAM

SPECIFICATIONS SUBJECT TO CHANGE WITHOUT NOTICE ALL CONNECTIONS ARE THREADED UNLESS OTHERWISE SPECIFIED
THIS DOCUMENT CONTAINS CONFIDENTIAL INFORMATION WHICH IS THE PROPERTY OF BURNHAM COMMERCIAL. THIS DOCUMENT MAY NOT BE REPRODUCED, TRANSFERRED OR USED, OR ITS CONTENTS DISCLOSED, WITHOUT THE WRITTEN PERMISSION OF THE OWNER.