

# BURNHAM®

## Commercial Boilers

### LEGEND CONNECTIONS

- A = 4" SUPPLY (WATER)
- B = 4" RETURN (WATER)
- C = 6" FLANGED SUPPLY (150#) (STM.)
- D = 3" RETURN (STEAM)
- E = 2" WASHOUT
- F = 1" WATER COLUMN
- G = 3/4" AQUASTAT
- H = 1-1/2" DRAIN
- J = 3 X 4 HANDHOLE
- K = 1-1/2" AUXILIARY CONNECTION
- L = 2-1/2" RELIEF VALVE
- M = 1/2" GAUGE
- N = 1-1/2" SURFACE BLOWOFF
- P = 1" OVERFLOW CONN.
- Q = 12" NOMINAL FLUE DIAMETER

### RATINGS AND DATA

Shell Diameter : 31<sup>3</sup>/<sub>8</sub>"  
 Gross Output - BHP : 102.1 (STM.)  
 Gross Output - BHP : 103.3 (WTR.)  
 Gross Output - MBH : 3417 (STM.)  
 Gross Output - MBH : 3457 (WTR.)  
 Gross Output - Lbs/Hr. : 3522 (STM.)  
 Net Rating - MBH : 2653 (STM.)  
 Net Rating - MBH : 3006 (WTR.)  
 Relief Valve - Lbs/Hr. : 3522

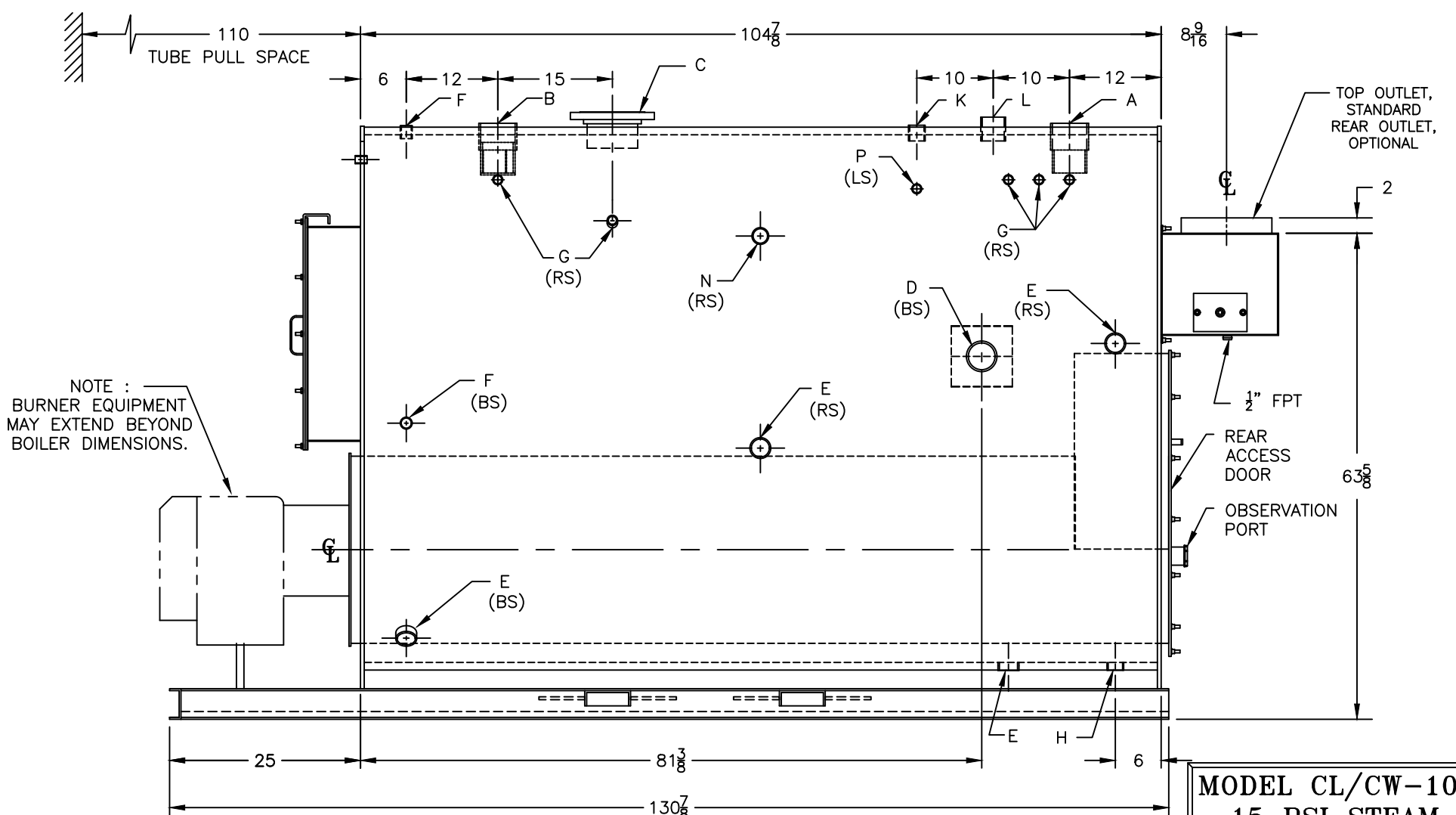
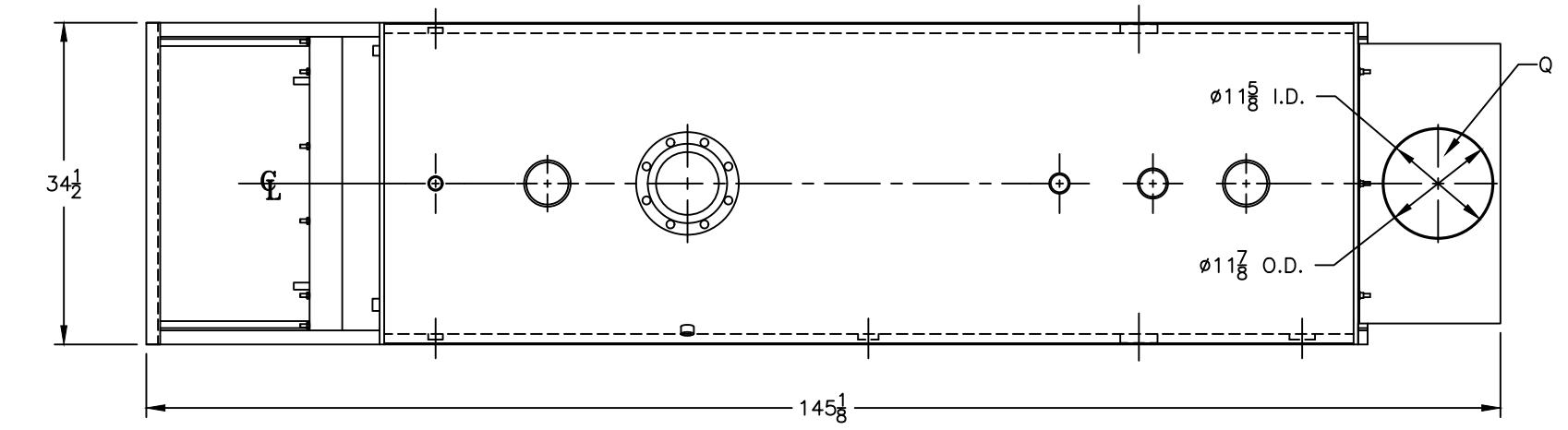
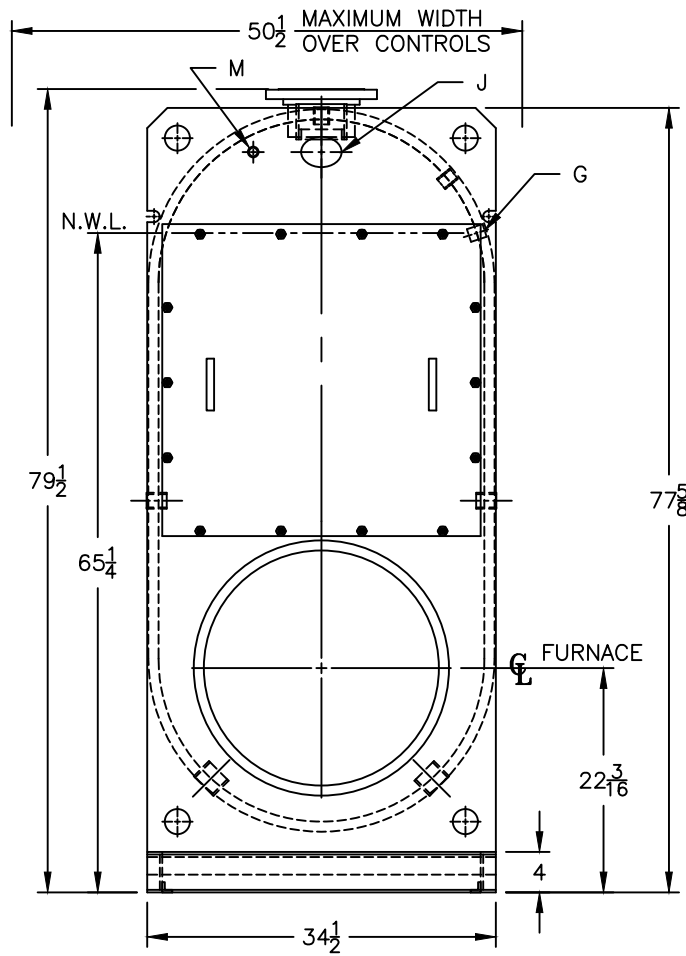
Heating Surface - Sq. Ft.  
 Fireside - 386  
 Firetubes  
 Number - 86  
 Diameter - 2" O.D.

Firing Rate  
 1000 BTU Gas (MBH) - 4082  
 140000 BTU/Gal Oil (GPH) - 28.1

Water Content  
 Pounds - 3500 (STM.)  
 Pounds - 4400 (WTR.)  
 Gallons (U.S.) - 420 (STM.)  
 Gallons (U.S.) - 527 (WTR.)  
 Approximate Weight/LBS.  
 Dry - 6400  
 Wet - 9900 (STM.)  
 Wet - 10800 (WTR.)

### LEGEND

BS = BOTH SIDES  
 RS = RIGHT SIDE



SPECIFICATIONS SUBJECT TO CHANGE WITHOUT NOTICE  
 ALL CONNECTIONS ARE THREADED UNLESS OTHERWISE SPECIFIED

**MODEL CL/CW-100**  
**15 PSI STEAM**  
**30 PSI WATER**