

BURNHAM®

Commercial Boilers

LEGEND CONNECTIONS

- A = 4" SUPPLY (STEAM/WATER)
- B = 4" RETURN (WATER)
- C = 3" RETURN (STEAM)
- D = 2" WASHOUT
- E = 1" WATER COLUMN
- F = 3/4" AQUASTAT
- G = 1-1/2" BOTTOM DRAIN
- H = 3" x 4" HANDHOLE
- J = 1-1/2" AUXILIARY CONNECTION
- K = 2" RELIEF VALVE
- L = 1/2" GAUGE
- M = 1-1/2" SURFACE BLOWOFF
- N = 1" OVERFLOW CONN.
- P = 10" NOMINAL FLUE DIAMETER

RATINGS AND DATA

Shell Diameter : 31³/₈"
 Gross Output - BHP : 39.9 (STM.)
 Gross Output - BHP : 40.6 (WTR.)
 Gross Output - MBH : 1335 (STM.)
 Gross Output - MBH : 1359 (WTR.)
 Gross Output - LBS/HR. : 1376 (STM.)
 Net Rating - MBH : 1008 (STM.)
 Net Rating - MBH : 1182 (WTR.)
 Relief Valve - LBS/HR. : 1376

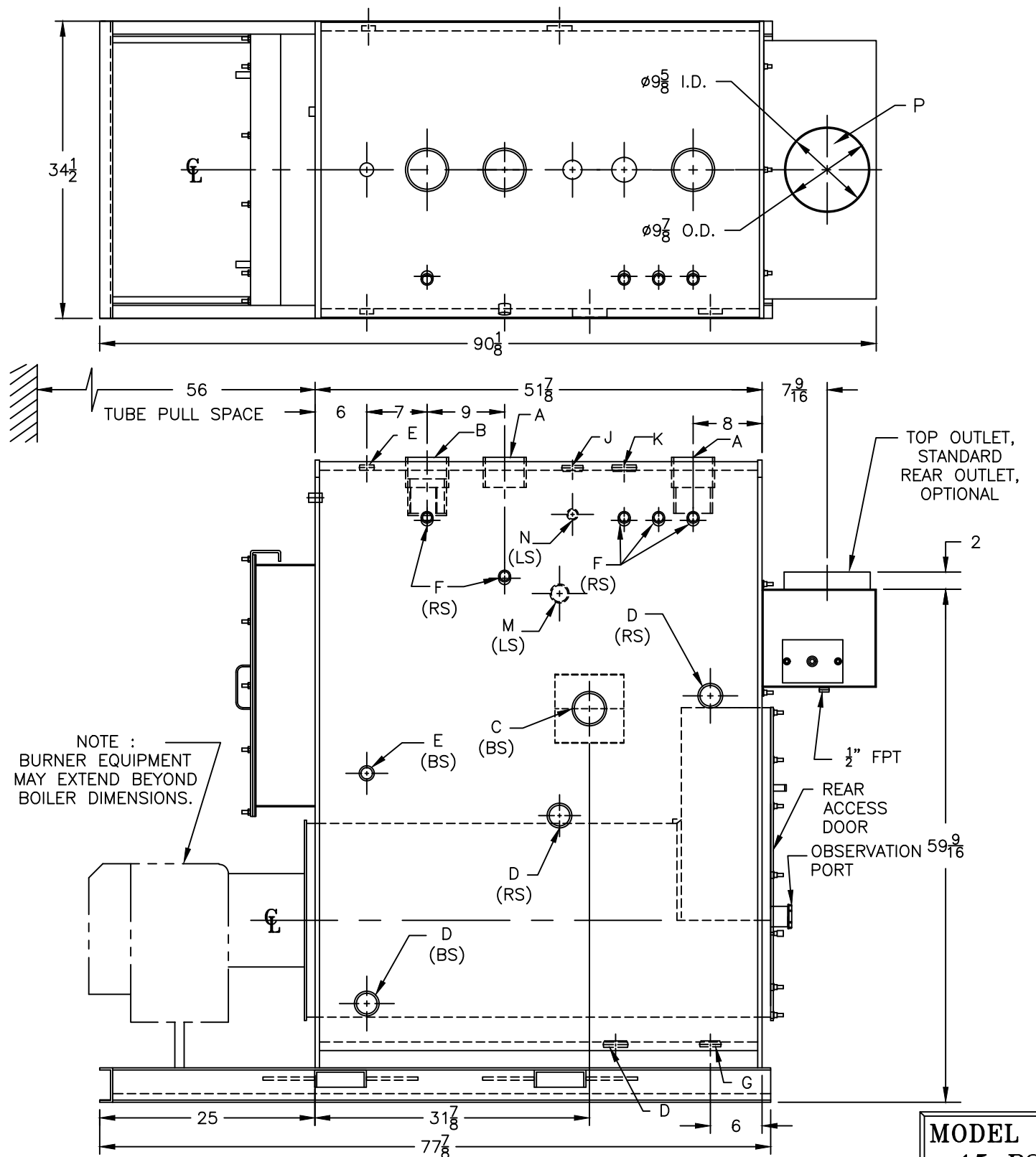
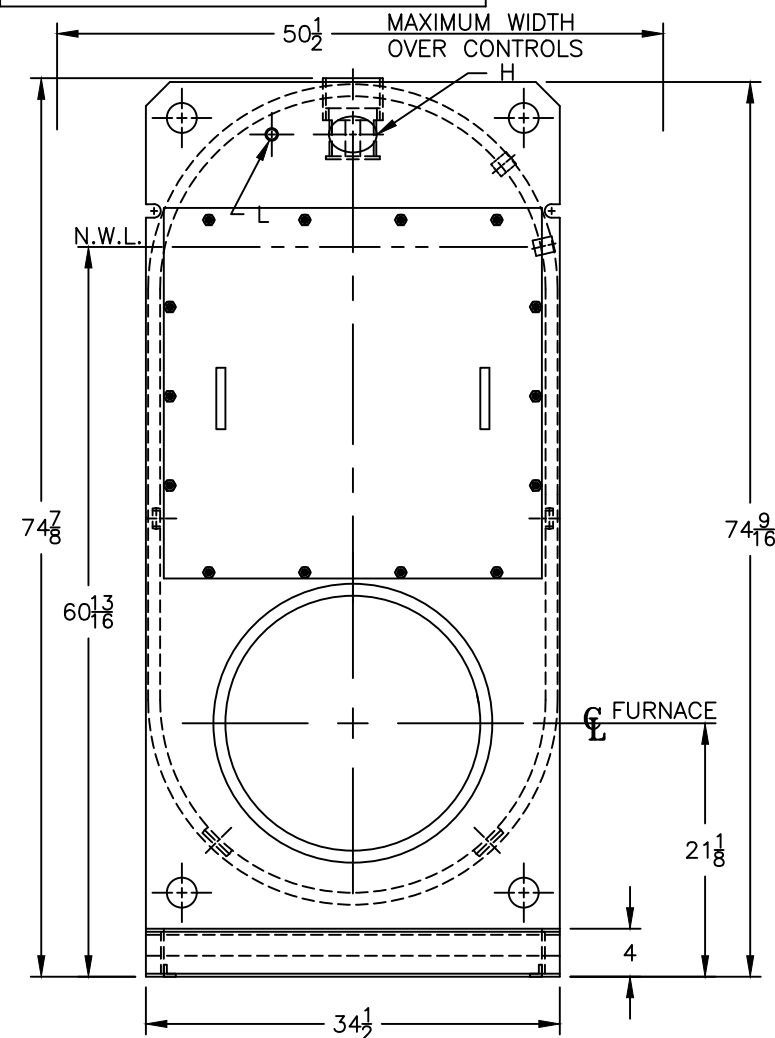
Heating Surface - Sq. Ft.
 Fireside - 166
 Firetubes
 Number - 72
 Diameter - 2" O.D.

Firing Rate
 1000 BTU Gas (MBH) - 1633
 140000 BTU/Gal Oil (GPH) - 11.2

Water Content
 Pounds - 1700 (STM.)
 Pounds - 2200 (WTR.)
 Gallons (U.S.) - 204 (STM.)
 Gallons (U.S.) - 264 (WTR.)
 Approximate Weight/LBS.
 Dry - 3400
 Wet - 5100 (STM.)
 Wet - 5600 (WTR.)

LEGEND

- BS = BOTH SIDES
- RS = RIGHT SIDE
- LS = LEFT SIDE



SPECIFICATIONS SUBJECT TO CHANGE WITHOUT NOTICE
 ALL CONNECTIONS ARE THREADED UNLESS OTHERWISE SPECIFIED

MODEL CL/CW-40
15 PSI STEAM
30 PSI WATER