

BURNHAM®

Commercial Boilers

RATINGS AND DATA

Shell Diameter : 26 $\frac{7}{8}$ "
 Gross Output - BHP : 19.7
 Gross Output - MBH : 660
 Gross Output - Lbs/Hr : 681
 Net Rating - MBH : 495
 Safety Valve - MBH : 710

Heating Surface - Sq. Ft.
 Fireside - 114
 Firetubes
 Number - 60
 Diameter - 2" O.D.

Firing Rate
 1000 BTU Gas (MBH) - 816
 140000 BTU/Gal Oil (GPH) - 5.6

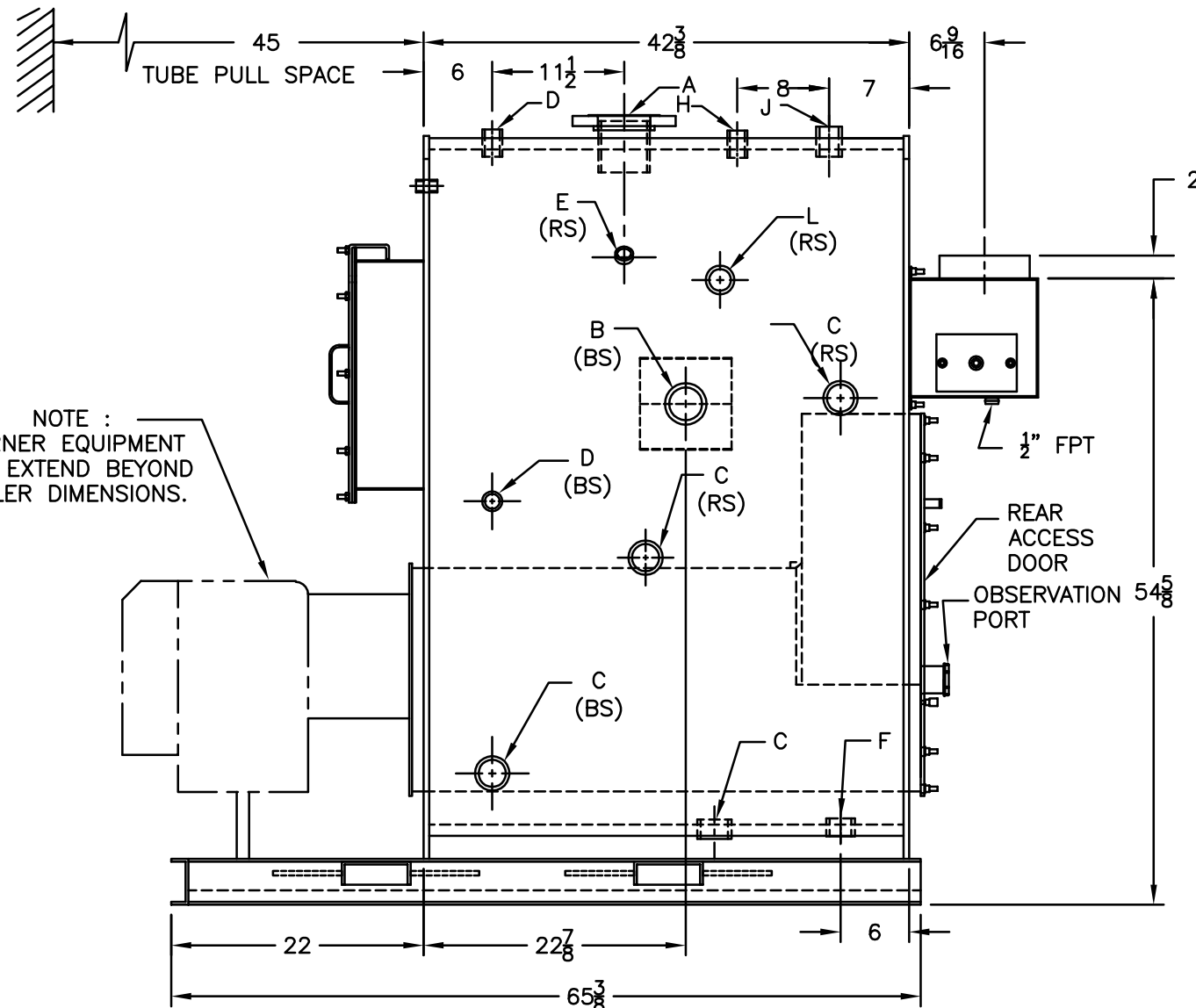
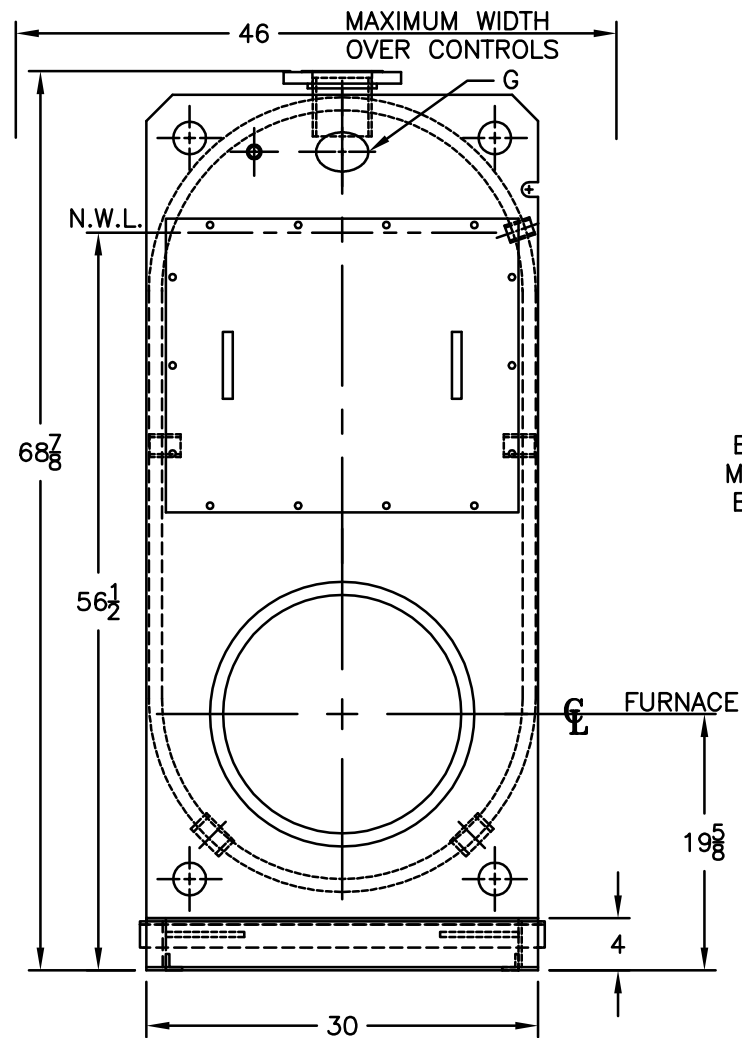
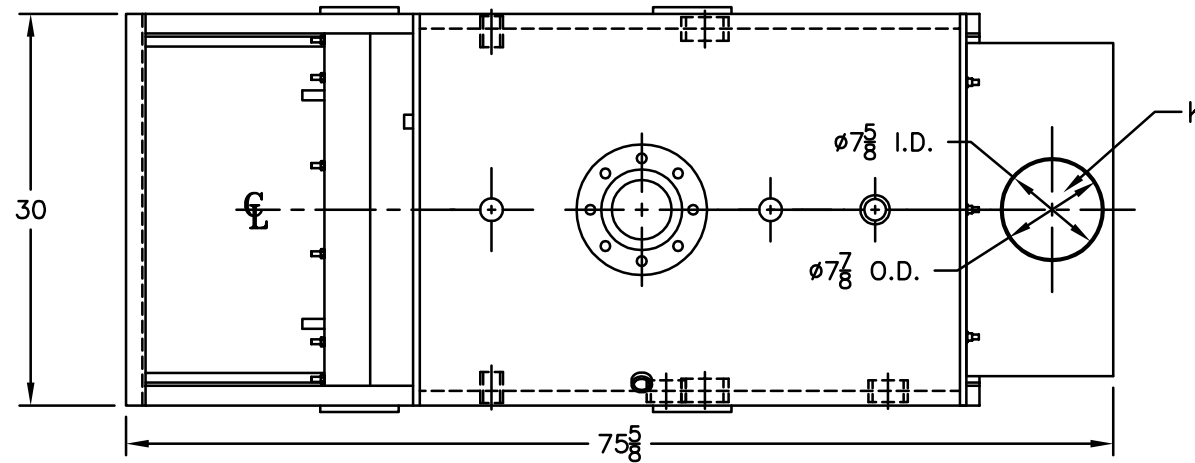
Water Content
 Pounds - 1100
 Gallons (U.S.) - 132
 Approximate Weight/LBS.
 Dry - 2500
 Wet - 3600

LEGEND

BS = BOTH SIDES
 RS = RIGHT SIDE

LEGEND CONNECTIONS

- A = 4" FLANGED SUPPLY (300#)
- B = 2-1/2" RETURN
- C = 2" WASHOUT
- D = 1" WATER COLUMN
- E = 3/4" AQUASTAT
- F = 1-1/2" BOTTOM BLOWDOWN
- G = 3" x 4" HANDHOLE
- H = 1" AUXILIARY CONNECTION
- J = 1-1/4" SAFETY VALVE
- K = 8" NOMINAL FLUE DIAMETER
- L = 1-1/2" SURFACE BLOWOFF



NOTE :
 BURNER EQUIPMENT
 MAY EXTEND BEYOND
 BOILER DIMENSIONS.

SPECIFICATIONS SUBJECT TO CHANGE WITHOUT NOTICE
 ALL CONNECTIONS ARE THREADED UNLESS OTHERWISE SPECIFIED

MODEL CP-20
19.7 BHP
30 PSI STEAM