

# BURNHAM®

## Commercial Boilers

### RATINGS AND DATA

Shell Diameter : 26 $\frac{7}{8}$ "  
 Gross Output - BHP : 29.8  
 Gross Output - MBH : 996  
 Gross Output - Lbs/Hr : 1027  
 Safety Valve - MBH : 1074

Heating Surface - Sq. Ft.  
 Fireside - 139  
 Firetubes  
 Number - 60  
 Diameter - 2" O.D.

Firing Rate  
 1000 BTU Gas (MBH) - 1225  
 140000 BTU/Gal Oil (GPH) - 8.4

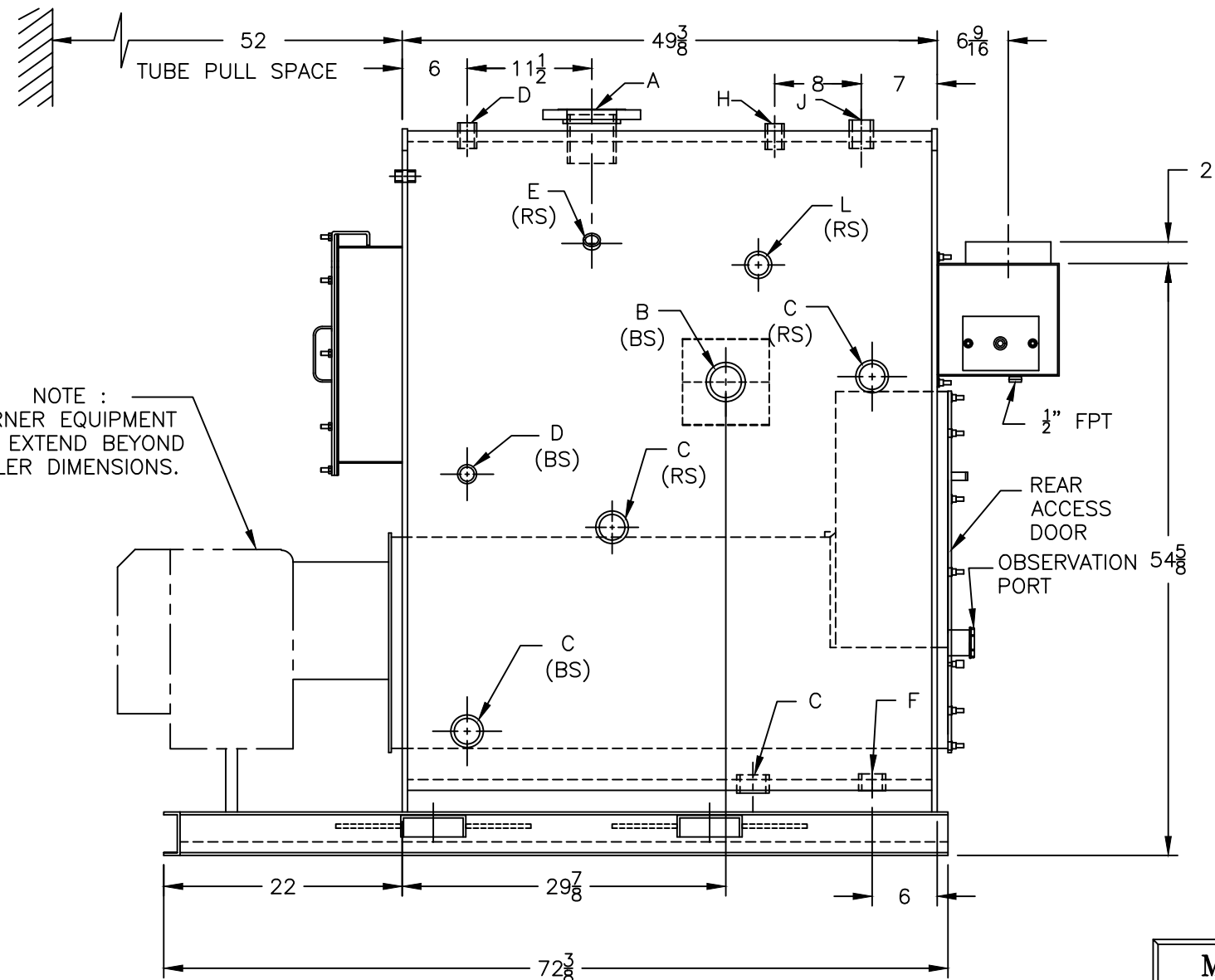
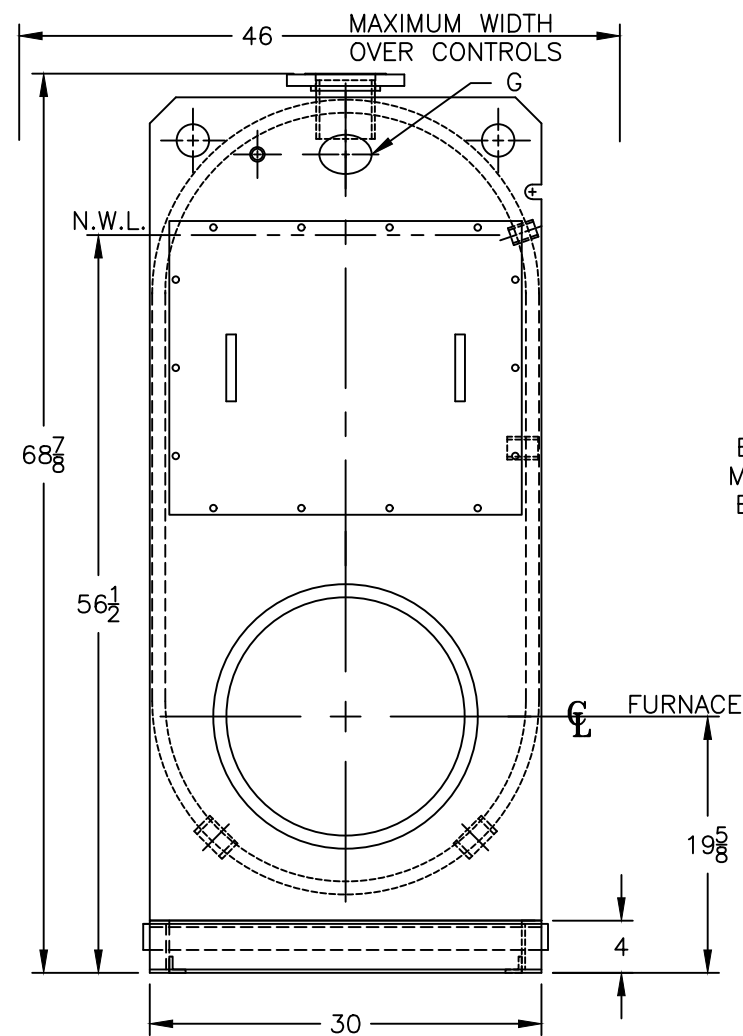
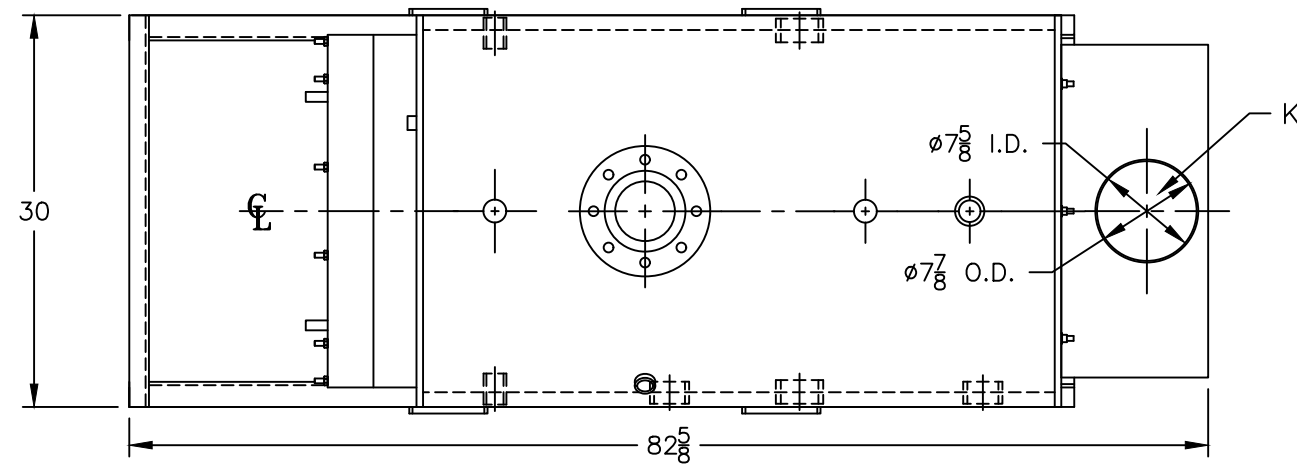
Water Content  
 Pounds - 1300  
 Gallons (U.S.) - 156  
 Approximate Weight/LBS.  
 Dry - 2900  
 Wet - 4200

### LEGEND

BS = BOTH SIDES  
 RS = RIGHT SIDE

### LEGEND CONNECTIONS

- A = 4" FLANGED SUPPLY (300#)
- B = 2-1/2" RETURN
- C = 2" WASHOUT
- D = 1" WATER COLUMN
- E = 3/4" AQUASTAT
- F = 1-1/2" BOTTOM BLOWDOWN
- G = 3" x 4" HANDHOLE
- H = 1" AUXILIARY CONNECTION
- J = 1-1/4" SAFETY VALVE
- K = 8" NOMINAL FLUE DIAMETER
- L = 1-1/2" SURFACE BLOWOFF



NOTE :  
 BURNER EQUIPMENT  
 MAY EXTEND BEYOND  
 BOILER DIMENSIONS.

SPECIFICATIONS SUBJECT TO CHANGE WITHOUT NOTICE  
 ALL CONNECTIONS ARE THREADED UNLESS OTHERWISE SPECIFIED

**MODEL CP-30**  
**29.8 BHP**  
**30 PSI STEAM**