

BURNHAM®

Commercial Boilers

RATINGS AND DATA

Shell Diameter : 31 $\frac{1}{8}$ "
 Gross Output - BHP : 70.8
 Gross Output - MBH : 2369
 Gross Output - Lbs/Hr. : 2442
 Safety Valve - Lbs/Hr. : 2552

Heating Surface - Sq. Ft.
 Fireside - 271
 Firetubes
 Number - 86
 Diameter - 2" O.D.

Firing Rate
 1000 BTU Gas (MBH) - 2858
 140000 BTU/Gal Oil (GPH) - 19.6

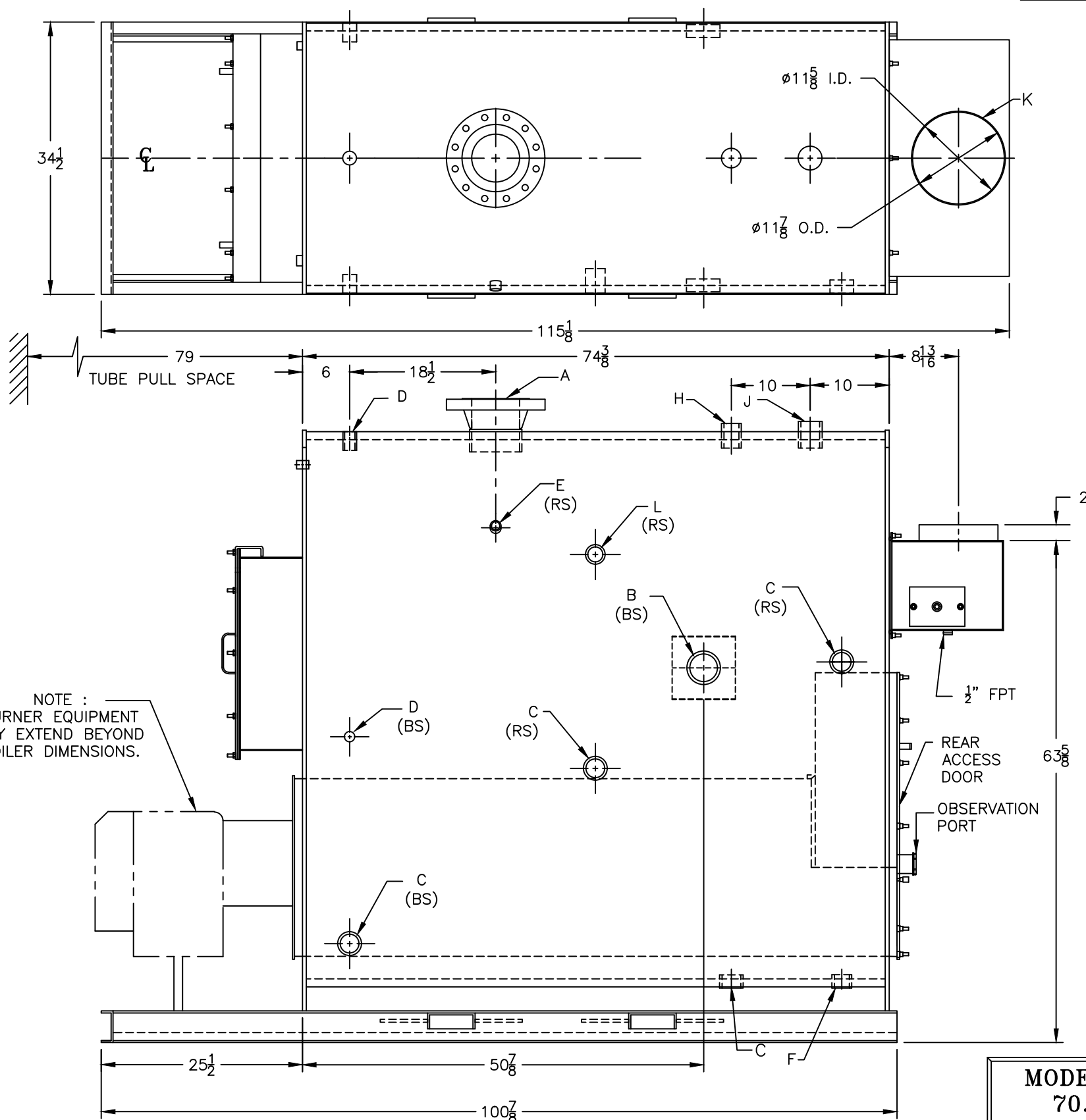
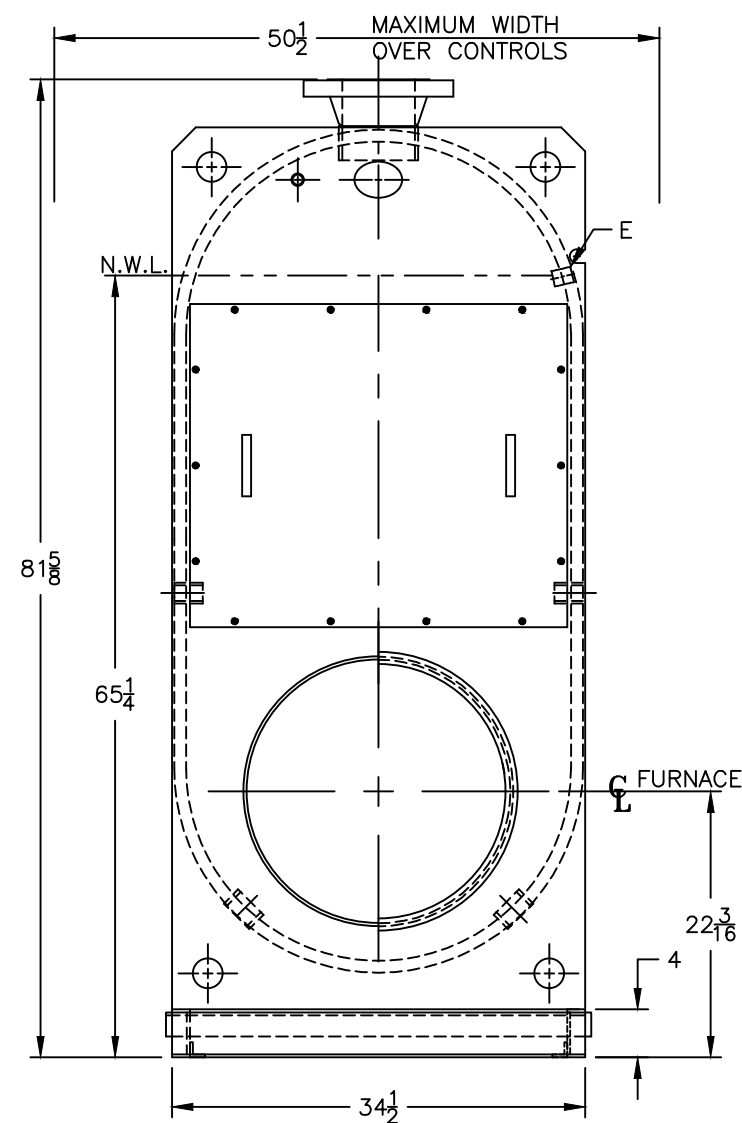
Water Content
 Pounds - 2500
 Gallons (U.S.) - 300
 Approximate Weight/LBS.
 Dry - 4900
 Wet - 7400

LEGEND CONNECTIONS

- A = 6" FLANGED SUPPLY (300#)
- B = 3" RETURN
- C = 2" WASHOUT
- D = 1" WATER COLUMN
- E = 3/4" AQUASTAT
- F = 1-1/2" BOTTOM BLOWDOWN
- G = 3 X 4 HANDHOLE
- H = 1-1/2" AUXILIARY CONNECTION
- J = 2" SAFETY VALVE
- K = 12" NOMINAL FLUE DIAMETER
- L = 1-1/2" SURFACE BLOWOFF

LEGEND

BS = BOTH SIDES
 RS = RIGHT SIDE



NOTE :
 BURNER EQUIPMENT
 MAY EXTEND BEYOND
 BOILER DIMENSIONS.

SPECIFICATIONS SUBJECT TO CHANGE WITHOUT NOTICE
 ALL CONNECTIONS ARE THREADED UNLESS OTHERWISE SPECIFIED

MODEL CP-70
70.8 BHP
30 PSI STEAM