

BURNHAM®

Commercial Boilers

RATINGS AND DATA

Shell Diameter : $31\frac{3}{8}$ "
 Gross Output - BHP : 103.3
 Gross Output - MBH : 3457
 Net Rating - MBH : 3006
 Relief Valve - MBH : 3457

Heating Surface - Sq. Ft.
 Fireside - 390
 Firetubes
 Number - 82
 Diameter - 2" O.D.

Firing Rate
 1000 BTU Gas (MBH) - 4082
 140000 BTU/Gal Oil (GPH) - 28.1

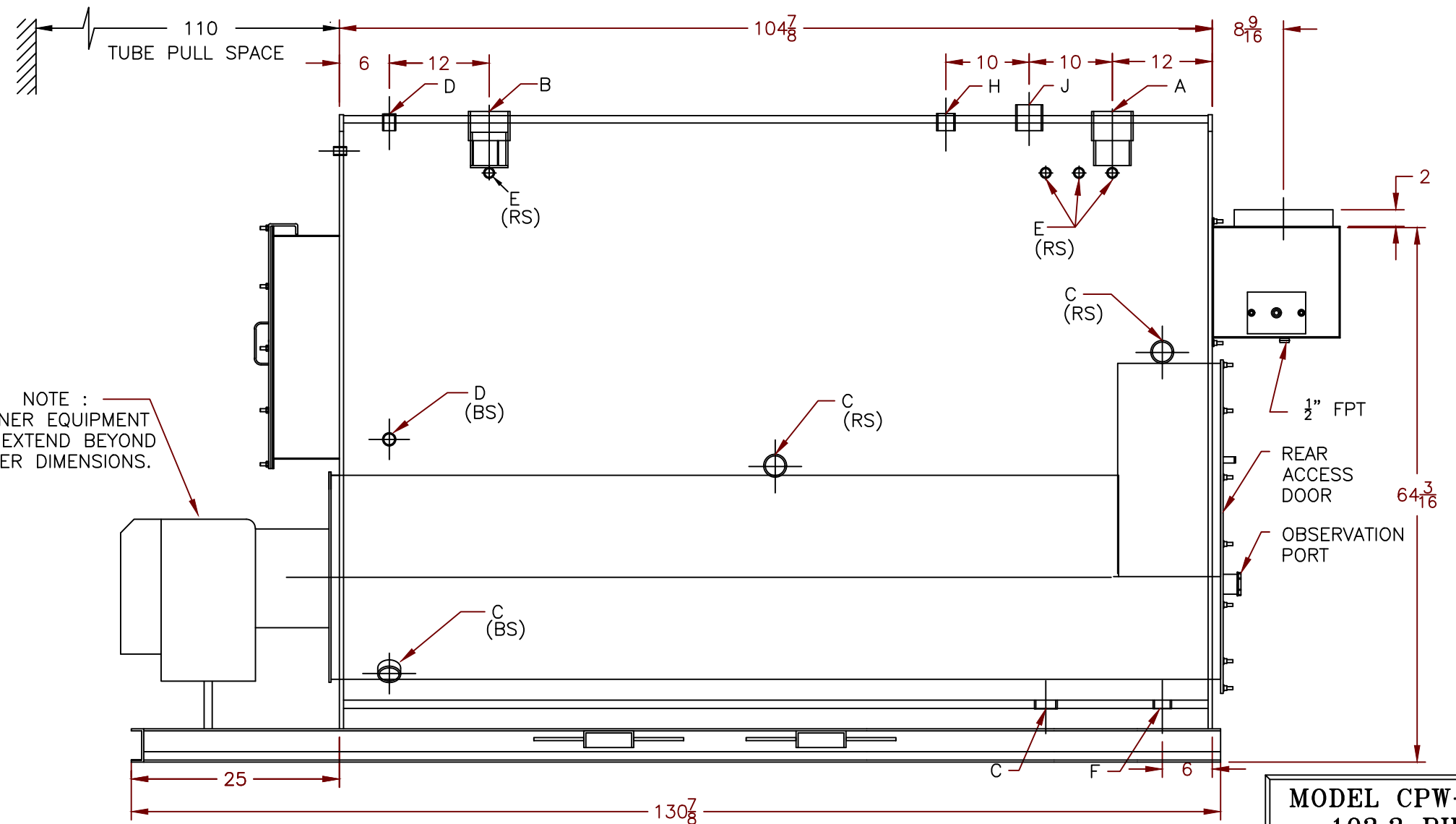
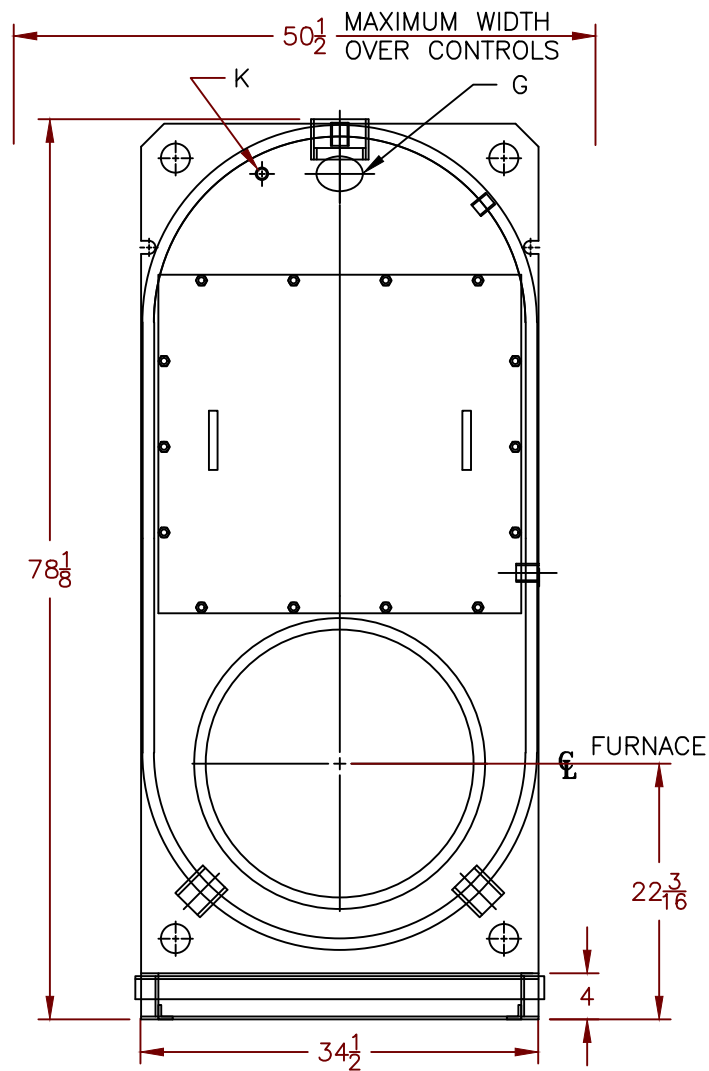
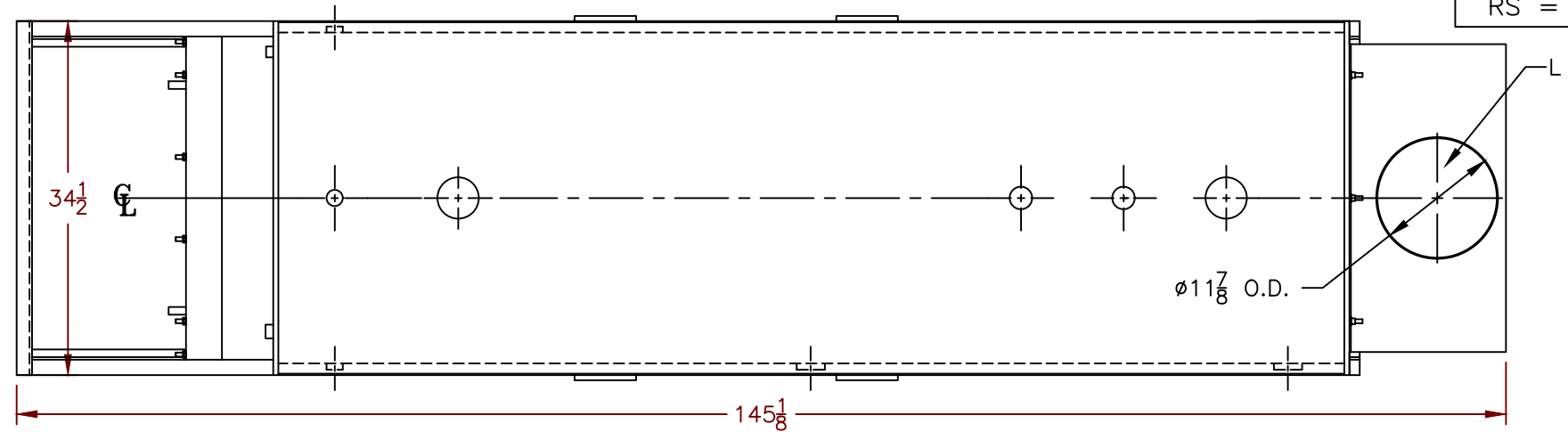
Water Content
 Pounds - 4449
 Gallons (U.S.) - 534
 Approximate Weight/LBS.
 Dry - 6800
 Wet - 11249

LEGEND CONNECTIONS

- A = 4" SUPPLY
- B = 4" RETURN
- C = 2" WASHOUT
- D = 1" WATER COLUMN
- E = 3/4" AQUASTAT
- F = 1-1/2" DRAIN
- G = 3 X 4 HANDHOLE
- H = 1-1/2" AUXILIARY CONNECTION
- J = 1-1/2" RELIEF VALVE
- K = 1/2" GAUGE
- L = 12" NOMINAL FLUE DIAMETER

LEGEND

BS = BOTH SIDES
 RS = RIGHT SIDE



NOTE :
 BURNER EQUIPMENT
 MAY EXTEND BEYOND
 BOILER DIMENSIONS.

SPECIFICATIONS SUBJECT TO CHANGE WITHOUT NOTICE
 ALL CONNECTIONS ARE THREADED UNLESS OTHERWISE SPECIFIED

MODEL CPW-100
103.3 BHP
60 PSI WATER