

BURNHAM®

Commercial Boilers

RATINGS AND DATA

Shell Diameter : 45 $\frac{1}{4}$ "
 Gross Output - BHP : 128.3
 Gross Output - MBH : 4295
 Net Rating - MBH : 3735
 Safety Valve - MBH : 4295

Heating Surface - Sq. Ft.
 Fireside - 470
 Firetubes
 Number - 139
 Diameter - 2" O.D.

Firing Rate
 1000 BTU Gas (MBH) - 5102
 140000 BTU/Gal Oil (GPH) - 35.0

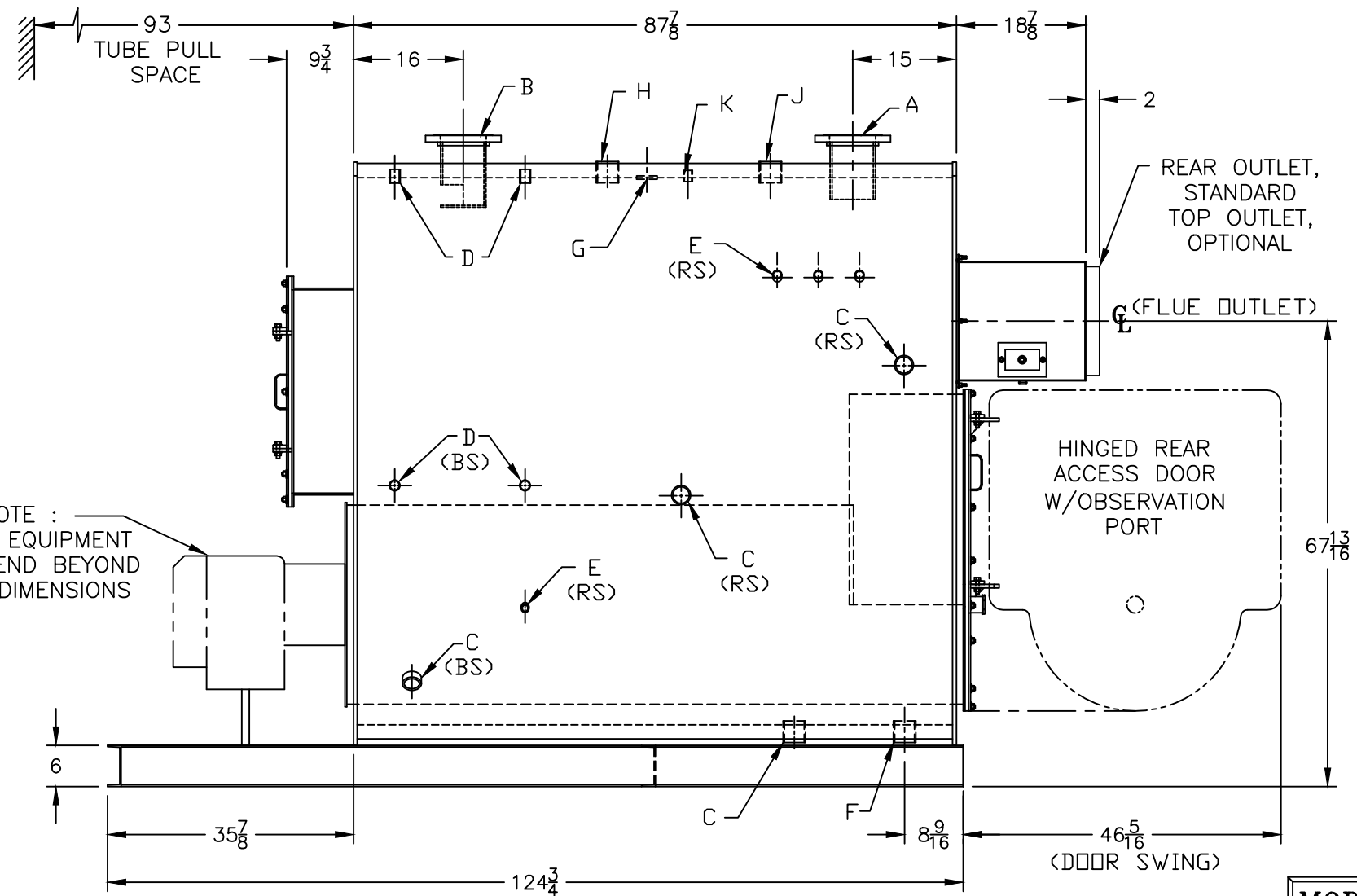
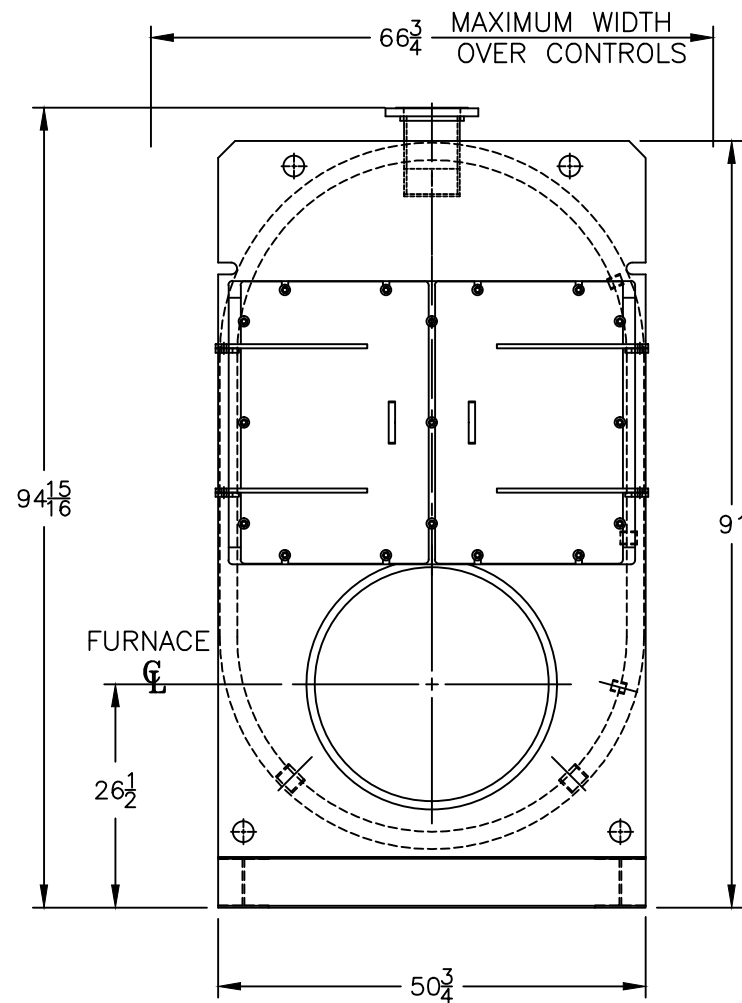
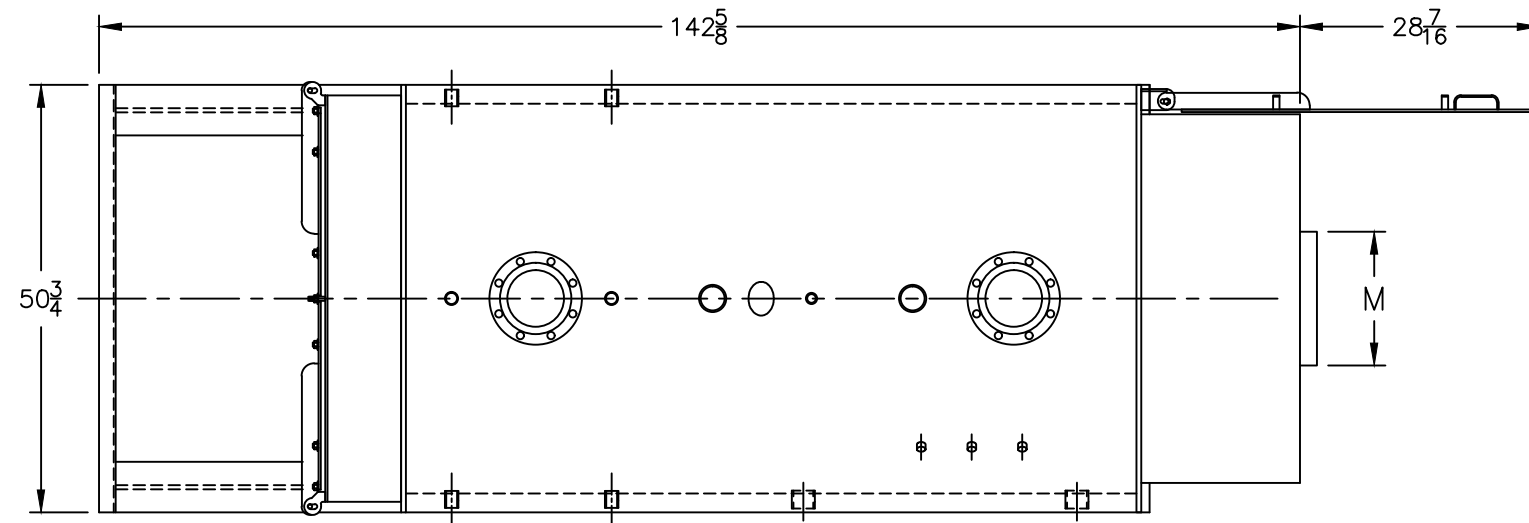
Water Content
 Pounds - 6048
 Gallons (U.S.) - 726
 Approximate Weight/LBS.
 Dry - 10486
 Wet - 16534

LEGEND CONNECTIONS

- A = 6" 150# FLANGED SUPPLY
- B = 6" 150# FLANGED RETURN
- C = 2" WASHOUT
- D = 1" WATER COLUMN
- E = 3/4" AQUASTAT
- F = 2" DRAIN
- G = 3 X 4 HANDHOLE
- H = 2" AUXILIARY CONNECTION
- J = 2" SAFETY VALVE/RELIEF VALVE
- K = 3/4" TEMPERATURE GAUGE
- M = 16" NOMINAL FLUE DIAMETER

LEGEND

BS = BOTH SIDES
 RS = RIGHT SIDE



MODEL CPW-125A
128.3 BHP
60 PSI WATER

SPECIFICATIONS SUBJECT TO CHANGE WITHOUT NOTICE ALL CONNECTIONS ARE THREADED UNLESS OTHERWISE SPECIFIED
 THIS DOCUMENT CONTAINS CONFIDENTIAL INFORMATION WHICH IS THE PROPERTY OF BURNHAM COMMERCIAL. THIS DOCUMENT MAY NOT BE REPRODUCED, TRANSFERRED OR USED, OR ITS CONTENTS DISCLOSED, WITHOUT THE WRITTEN PERMISSION OF THE OWNER.