

# BURNHAM®

## Commercial Boilers

### RATINGS AND DATA

Shell Diameter : 45 $\frac{1}{4}$ "  
 Gross Output - BHP : 180.7  
 Gross Output - MBH : 6050  
 Net Rating - MBH : 5261  
 Safety Valve - MBH : 6050

Heating Surface - Sq. Ft.  
 Fireside - 652  
 Firetubes  
 Number - 139  
 Diameter - 2" O.D.

Firing Rate  
 1000 BTU Gas (MBH) - 7144  
 140000 BTU/Gal Oil (GPH) - 49.1

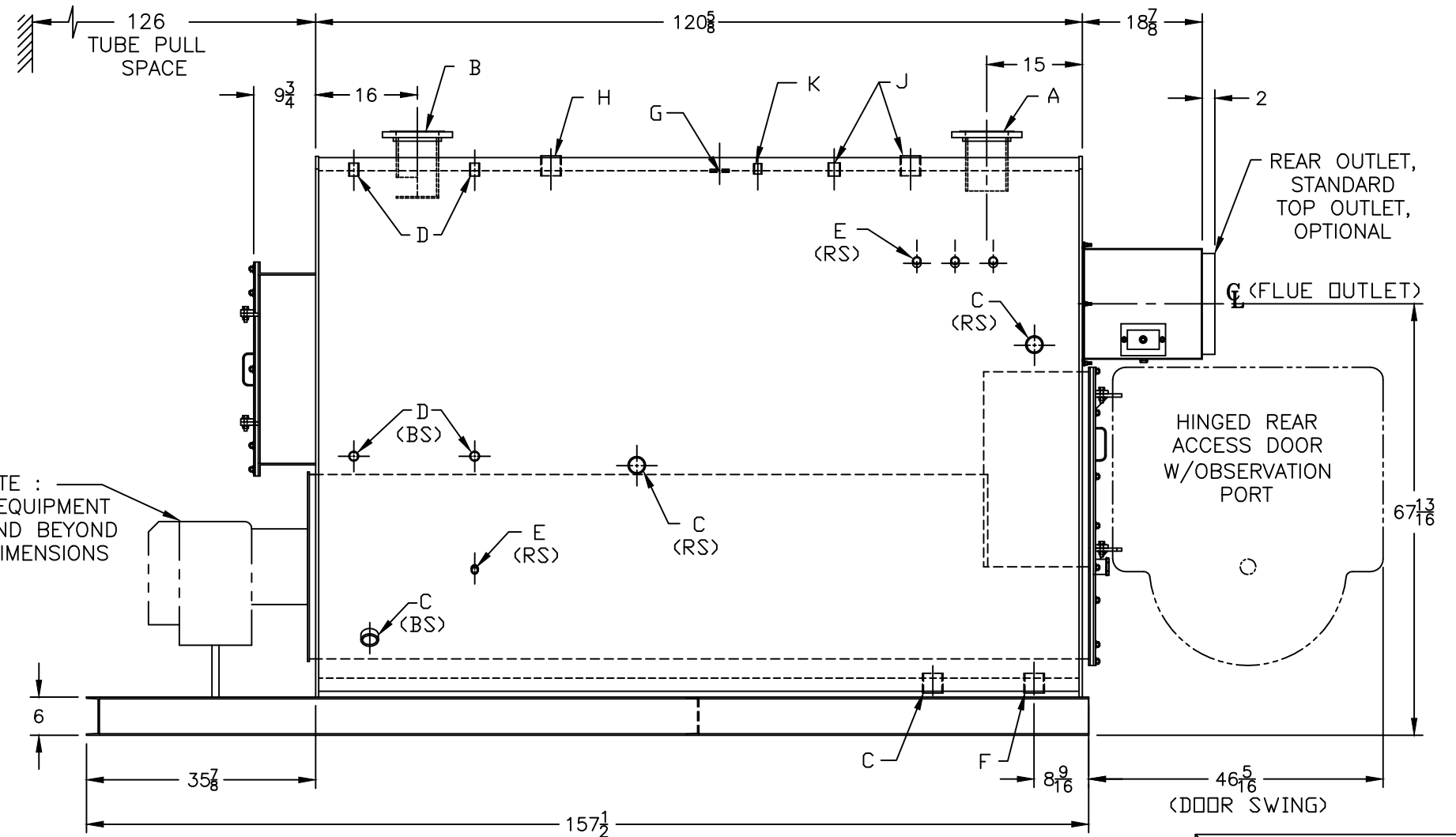
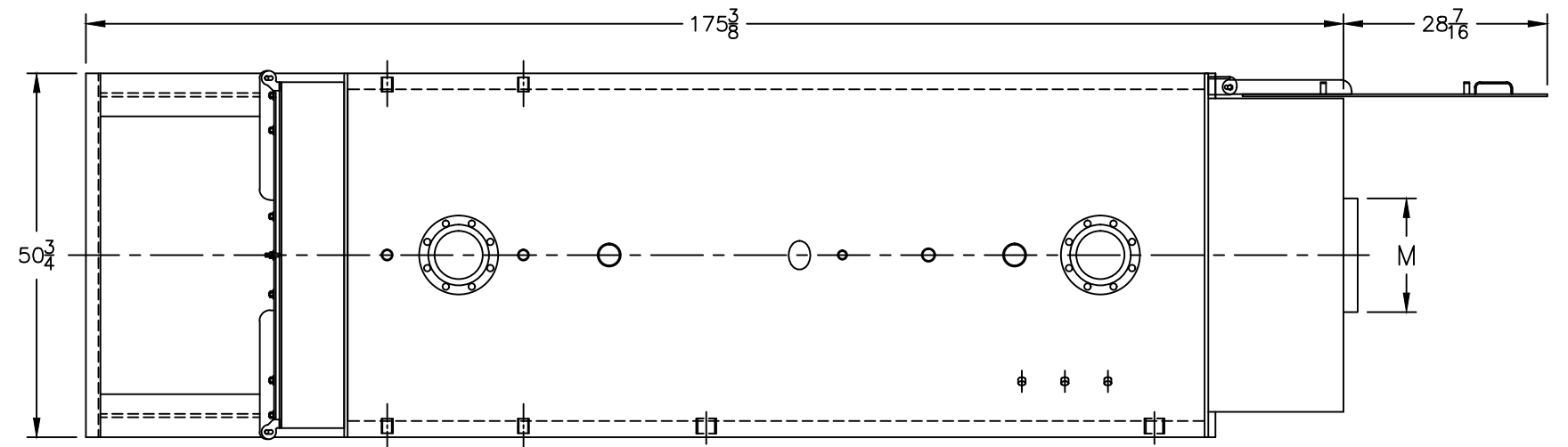
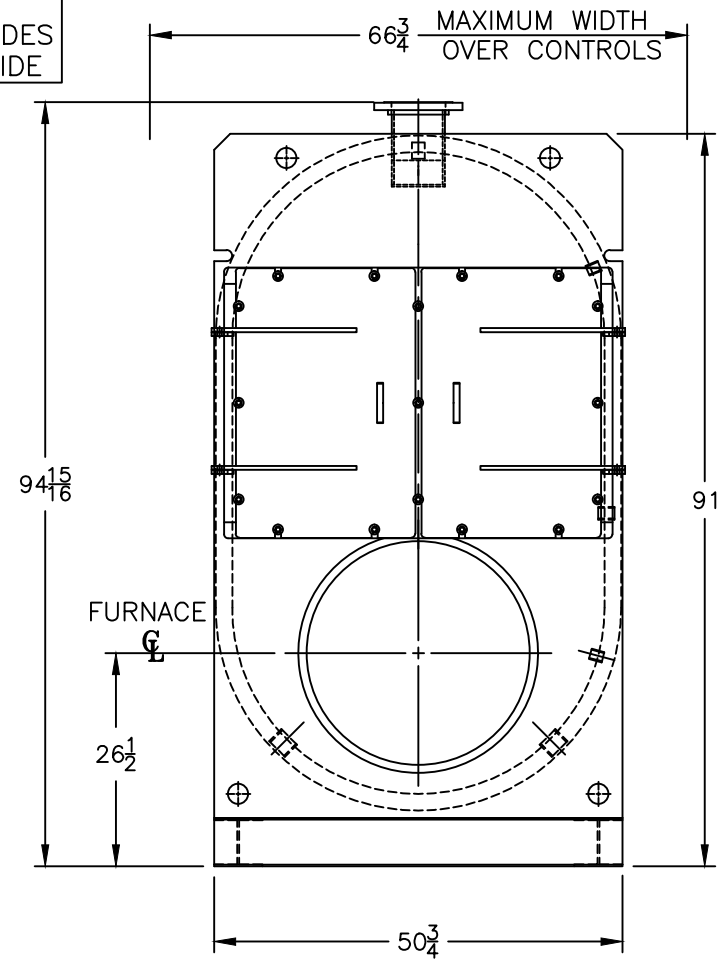
Water Content  
 Pounds - 8439  
 Gallons (U.S.) - 1013  
 Approximate Weight/LBS.  
 Dry - 13421  
 Wet - 21860

### LEGEND CONNECTIONS

- A = 6" 150# FLANGED SUPPLY
- B = 6" 150# FLANGED RETURN
- C = 2" WASHOUT
- D = 1" WATER COLUMN
- E = 3/4" AQUASTAT
- F = 2" DRAIN
- G = 3 X 4 HANDHOLE
- H = 2" AUXILIARY CONNECTION
- J = 2" SAFETY/RELIEF VALVE (1)
- 1-1/4" SAFETY/RELIEF VALVE (1)
- K = 3/4" TEMPERATURE GAUGE
- M = 16" NOMINAL FLUE DIAMETER

### LEGEND

- BS = BOTH SIDES
- RS = RIGHT SIDE



**MODEL CPW-175A**  
**180.7 BHP**  
**60 PSI WATER**

SPECIFICATIONS SUBJECT TO CHANGE WITHOUT NOTICE ALL CONNECTIONS ARE THREADED UNLESS OTHERWISE SPECIFIED  
 THIS DOCUMENT CONTAINS CONFIDENTIAL INFORMATION WHICH IS THE PROPERTY OF BURNHAM COMMERCIAL. THIS DOCUMENT MAY NOT BE REPRODUCED, TRANSFERRED OR USED, OR ITS CONTENTS DISCLOSED, WITHOUT THE WRITTEN PERMISSION OF THE OWNER.