

BURNHAM®

Commercial Boilers

RATINGS AND DATA

Shell Diameter : 26⁷/₈"
 Gross Output - BHP : 20.1
 Gross Output - MBH : 673
 Net Rating - MBH : 585
 Relief Valve - MBH : 952

Heating Surface - Sq. Ft.
 Fireside - 119
 Firetubes
 Number - 60
 Diameter - 2" O.D.

Firing Rate
 1000 BTU Gas (MBH) - 816
 140000 BTU/Gal Oil (GPH) - 5.6

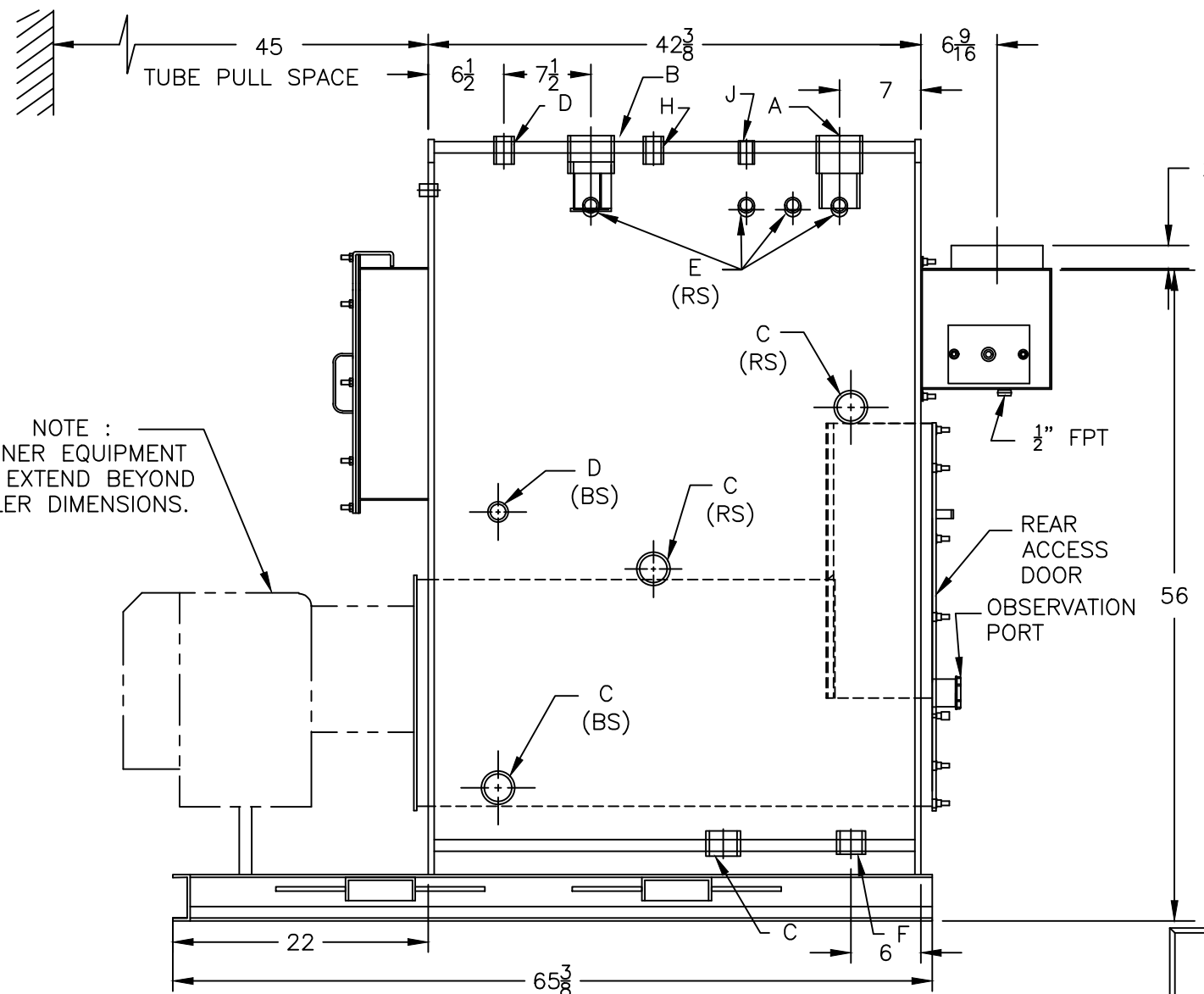
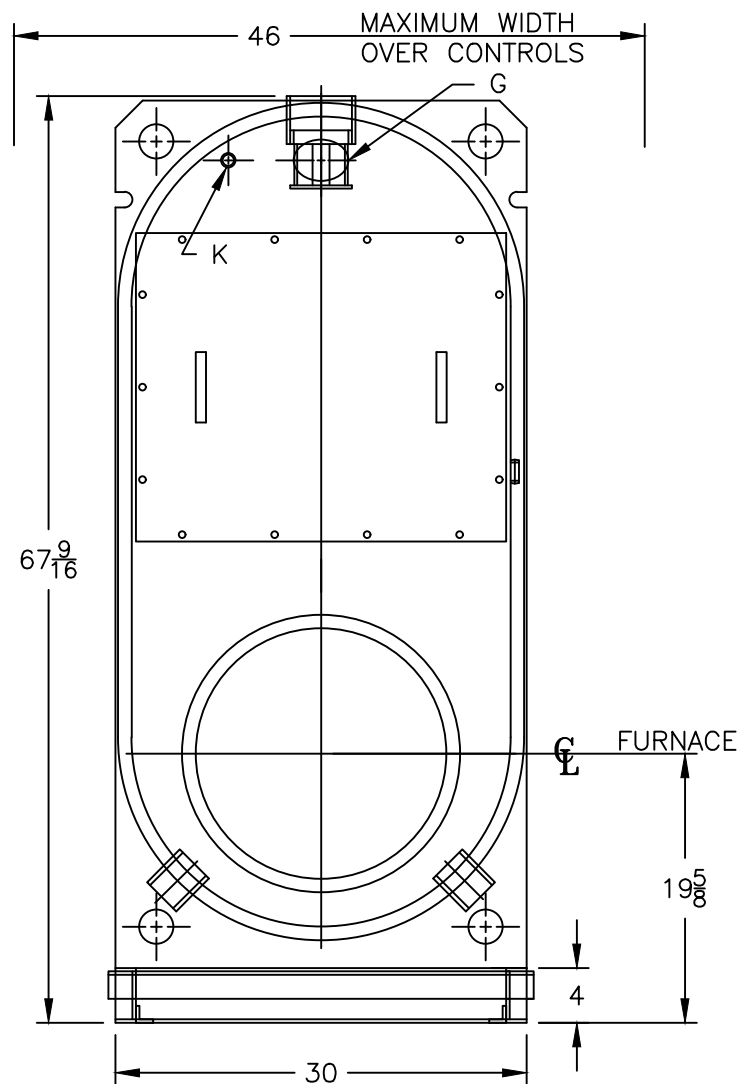
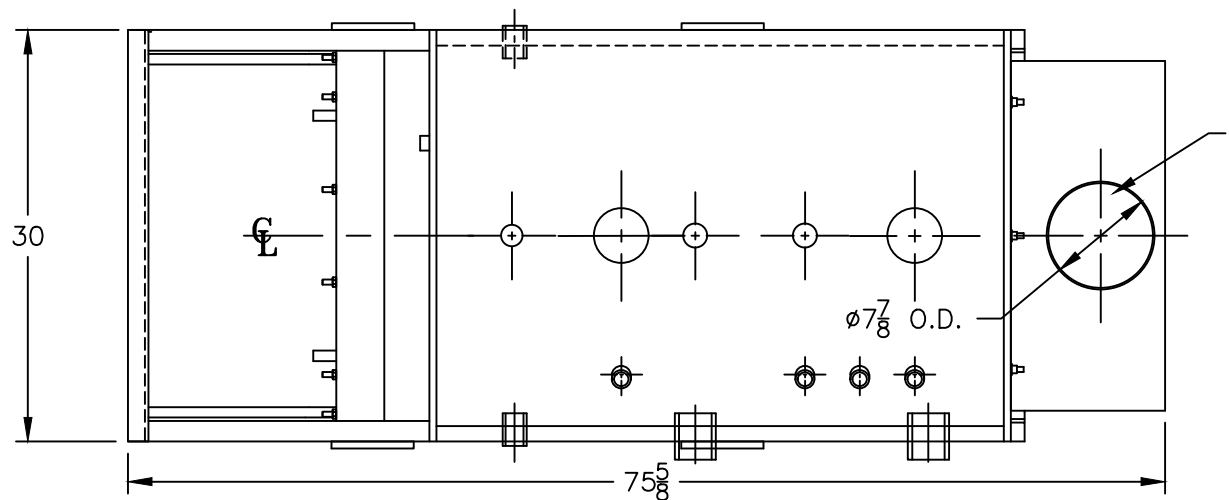
Water Content
 Pounds - 1308
 Gallons (U.S.) - 157
 Approximate Weight/LBS.
 Dry - 3100
 Wet - 4408

LEGEND

BS = BOTH SIDES
 RS = RIGHT SIDE

LEGEND CONNECTIONS

- A = 3" SUPPLY
- B = 3" RETURN
- C = 2" WASHOUT
- D = 1" WATER COLUMN
- E = 3/4" AQUASTAT
- F = 1-1/2" BOTTOM DRAIN
- G = 3" x 4" HANDHOLE
- H = 1" AUXILIARY CONNECTION
- J = 3/4" RELIEF VALVE
- K = 1/2" GAUGE
- L = 8" NOMINAL FLUE DIAMETER



SPECIFICATIONS SUBJECT TO CHANGE WITHOUT NOTICE
 ALL CONNECTIONS ARE THREADED UNLESS OTHERWISE SPECIFIED

MODEL CPW-20
20.1 BHP
60 PSI WATER