

BURNHAM®

Commercial Boilers

RATINGS AND DATA

Shell Diameter : $31\frac{7}{8}$ "
 Gross Output - BHP : 40.6
 Gross Output - MBH : 1359
 Net Rating - MBH : 1182
 Relief Valve - MBH : 1360

Heating Surface - Sq. Ft.
 Fireside - 170
 Firetubes
 Number - 72
 Diameter - 2" O.D.

Firing Rate
 1000 BTU Gas (MBH) - 1633
 140000 BTU/Gal Oil (GPH) - 11.2

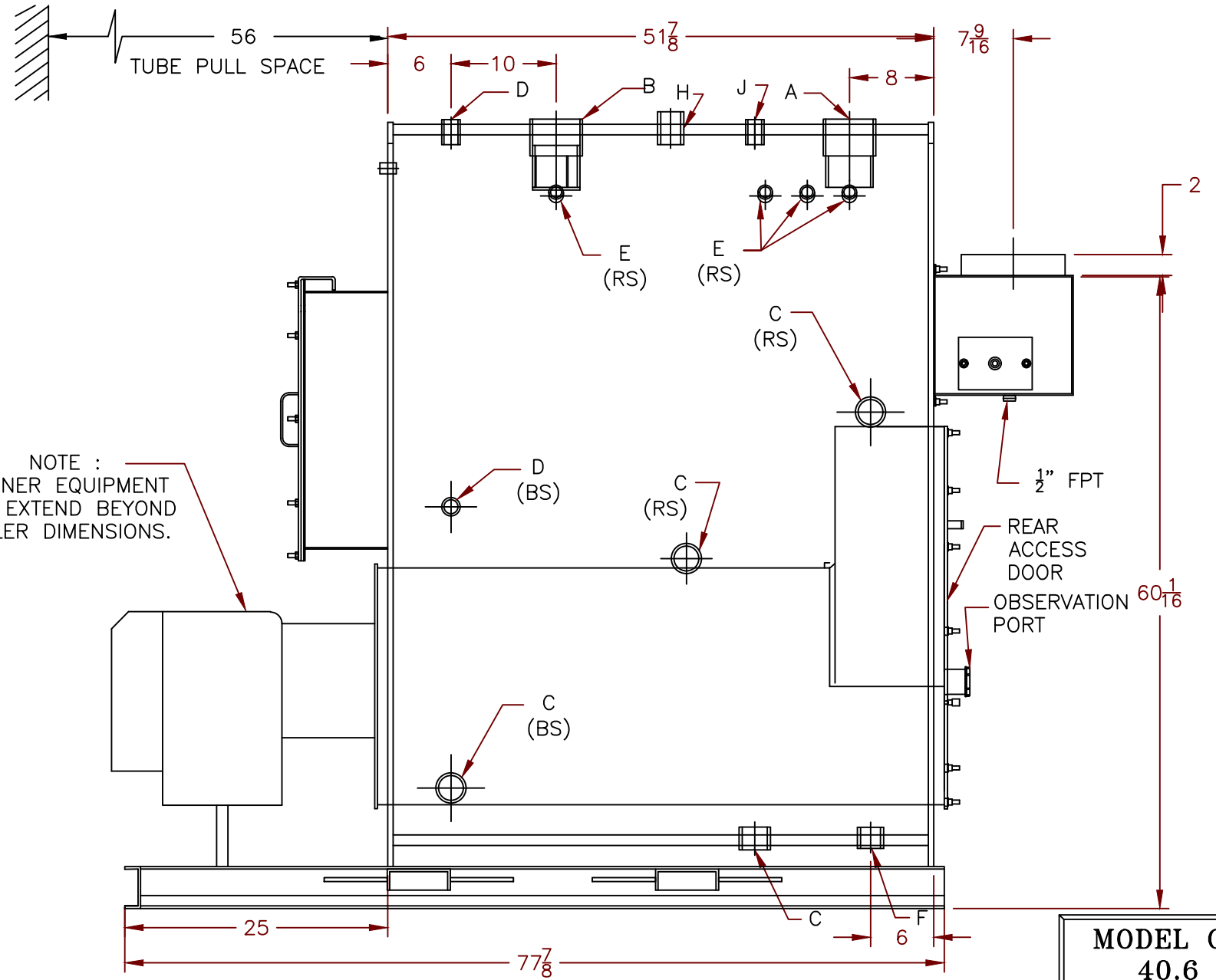
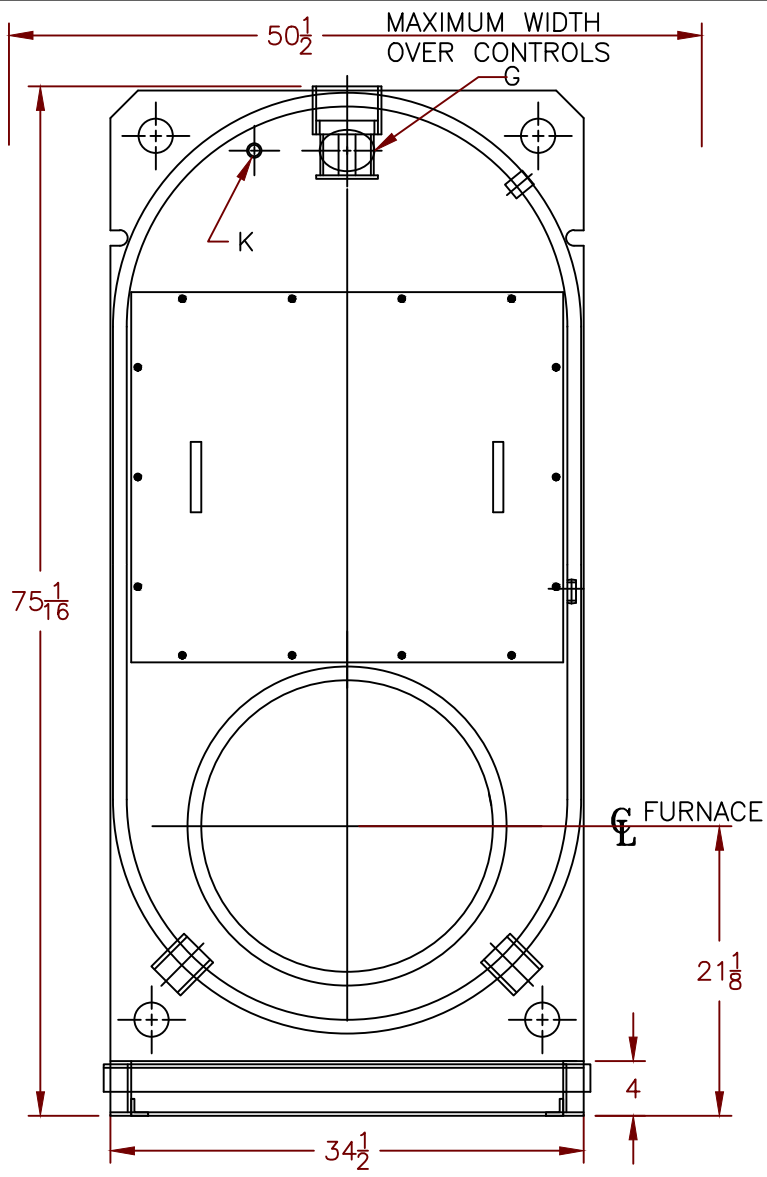
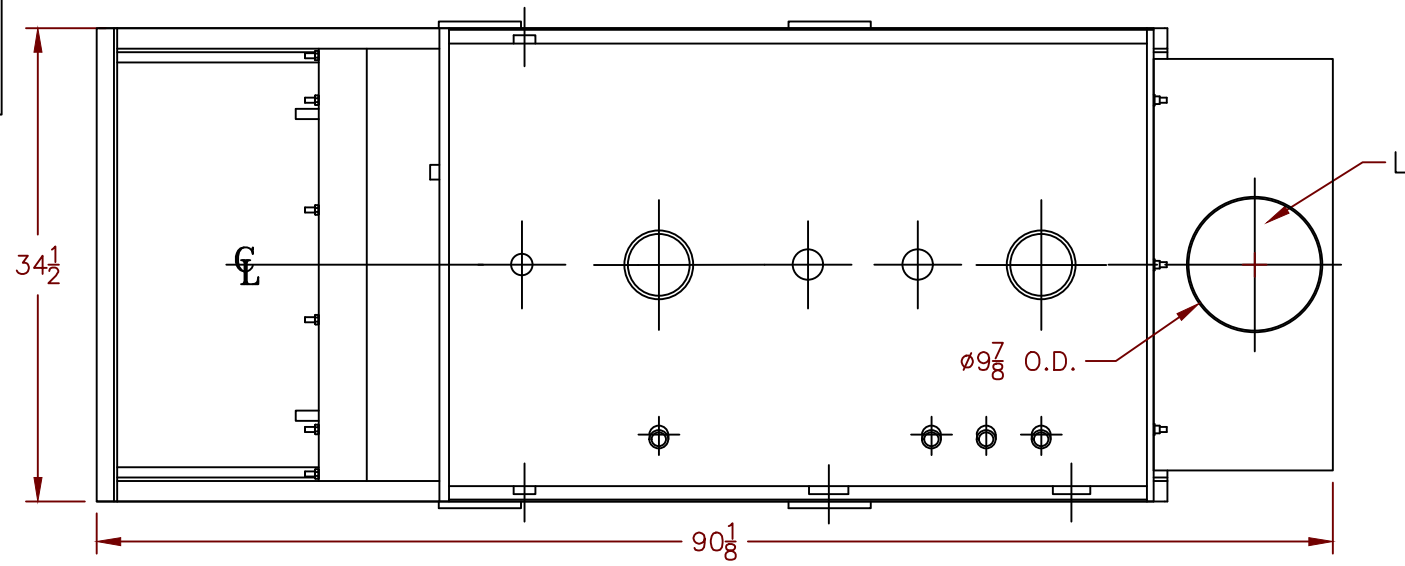
Water Content
 Pounds - 2158
 Gallons (U.S.) - 259
 Approximate Weight/LBS.
 Dry - 4000
 Wet - 6158

LEGEND

BS = BOTH SIDES
 RS = RIGHT SIDE

LEGEND CONNECTIONS

- A = 4" SUPPLY
- B = 4" RETURN
- C = 2" WASHOUT
- D = 1" WATER COLUMN
- E = 3/4" AQUASTAT
- F = 1-1/2" BOTTOM DRAIN
- G = 3" x 4" HANDHOLE
- H = 1-1/2" AUXILIARY CONNECTION
- J = 1" RELIEF VALVE
- K = 1/2" GAUGE
- L = 10" NOMINAL FLUE DIAMETER



NOTE :
 BURNER EQUIPMENT
 MAY EXTEND BEYOND
 BOILER DIMENSIONS.

SPECIFICATIONS SUBJECT TO CHANGE WITHOUT NOTICE
 ALL CONNECTIONS ARE THREADED UNLESS OTHERWISE SPECIFIED

MODEL CPW-40
40.6 BHP
60 PSI WATER