

# BURNHAM®

## Commercial Boilers

### RATINGS AND DATA

Shell Diameter : 31 $\frac{3}{8}$ "  
 Gross Output - BHP : 82.1  
 Gross Output - MBH : 2749  
 Net Rating - MBH : 2390  
 Relief Valve - MBH : 2749

Heating Surface - Sq. Ft.  
 Fireside - 315  
 Firetubes  
 Number - 82  
 Diameter - 2" O.D.

Firing Rate  
 1000 BTU Gas (MBH) - 3266  
 140000 BTU/Gal Oil (GPH) - 22.4

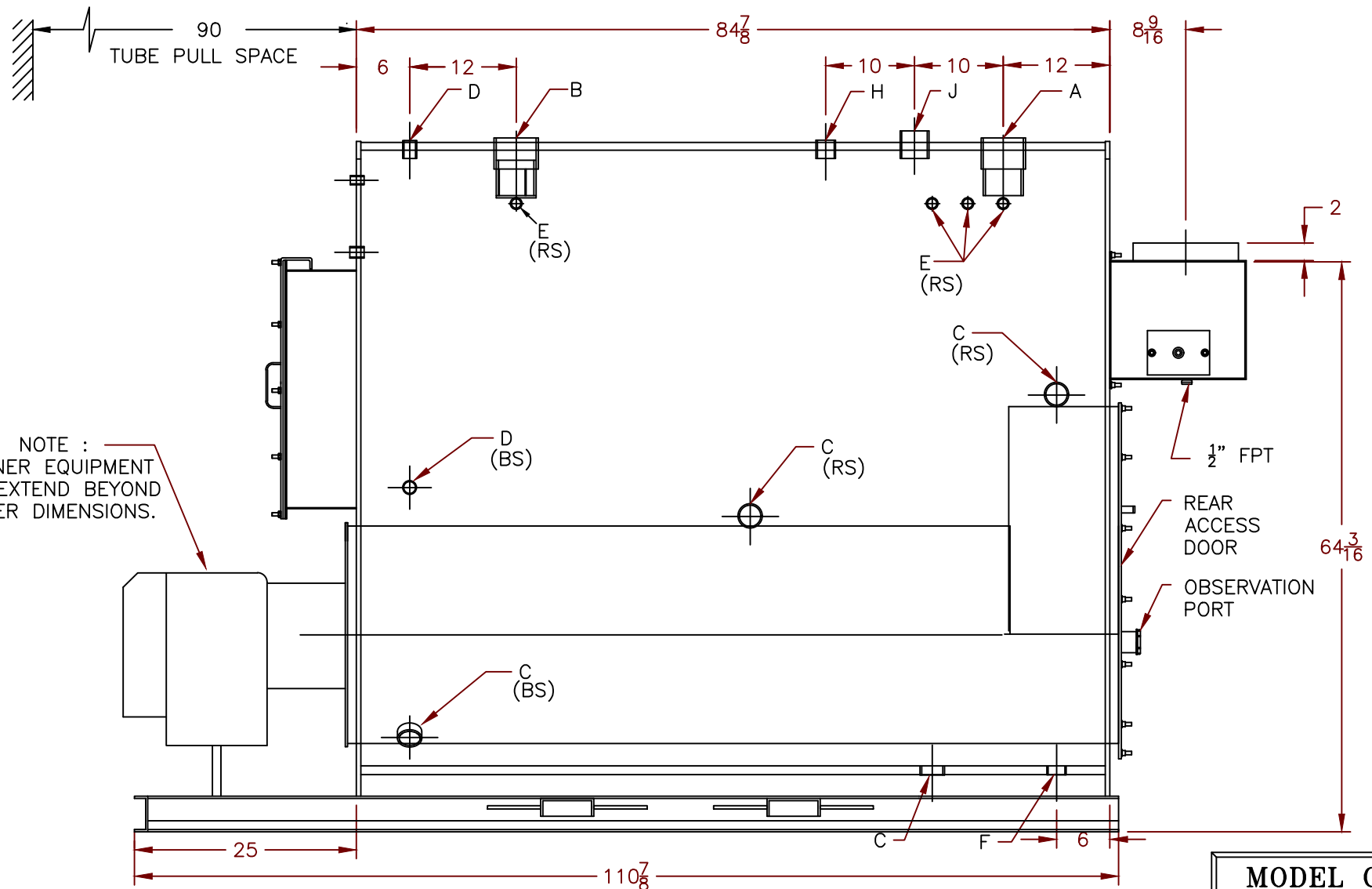
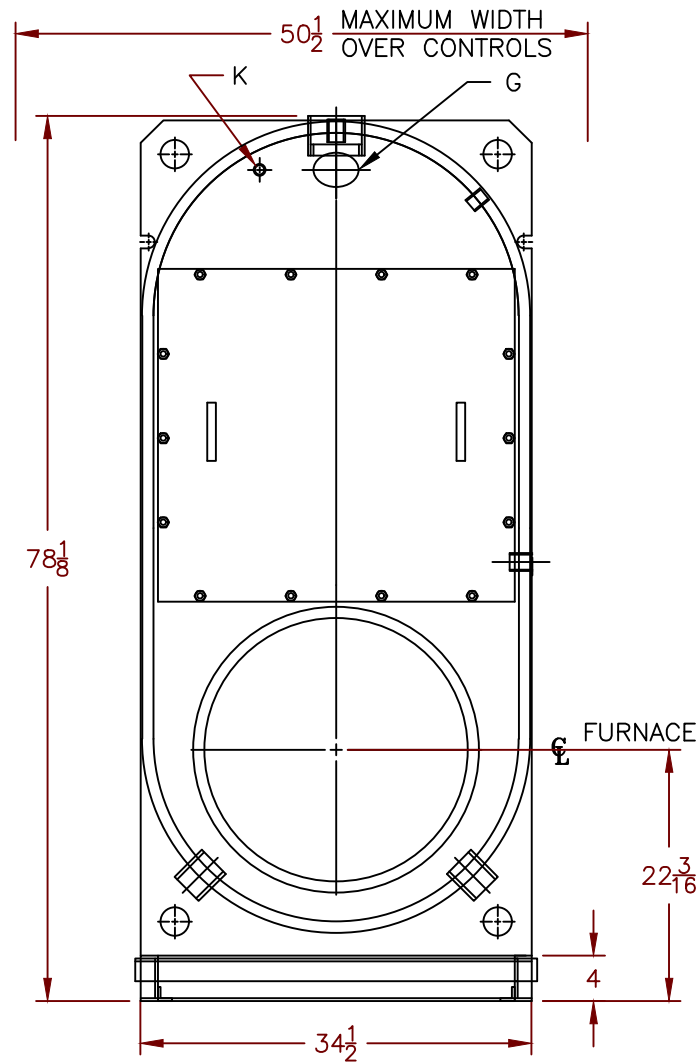
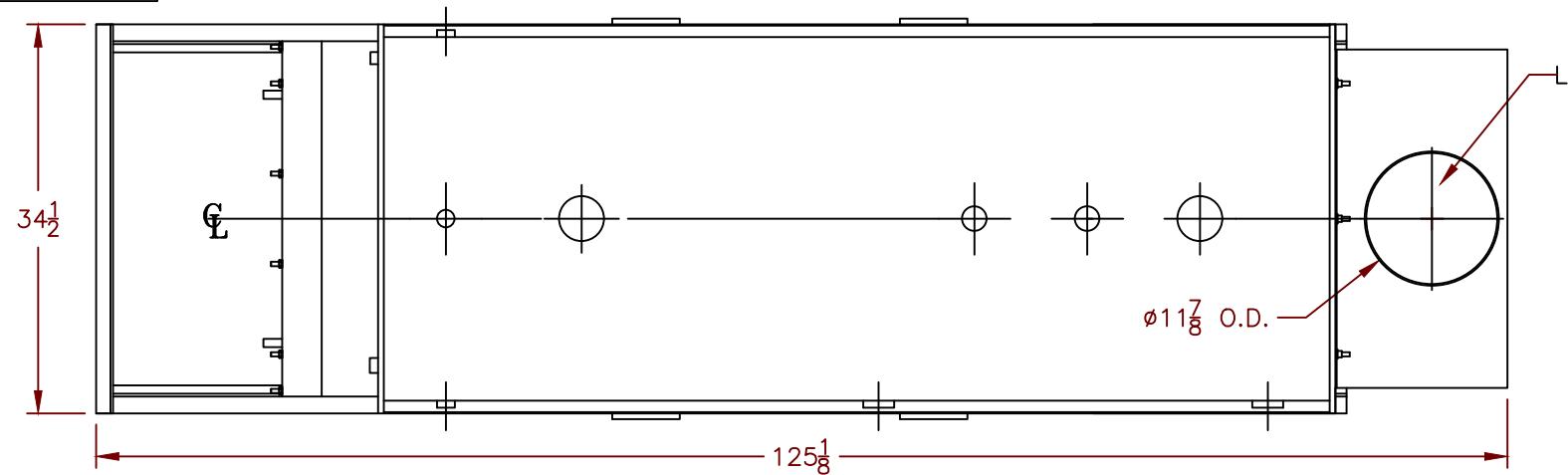
Water Content  
 Pounds - 3574  
 Gallons (U.S.) - 429  
 Approximate Weight/LBS.  
 Dry - 5700  
 Wet - 9274

### LEGEND CONNECTIONS

- A = 4" SUPPLY
- B = 4" RETURN
- C = 2" WASHOUT
- D = 1" WATER COLUMN
- E = 3/4" AQUASTAT
- F = 1-1/2" DRAIN
- G = 3 X 4 HANDHOLE
- H = 1-1/2" AUXILIARY CONNECTION
- J = 1-1/2" RELIEF VALVE
- K = 1/2" GAUGE
- L = 12" NOMINAL FLUE DIAMETER

### LEGEND

- BS = BOTH SIDES
- RS = RIGHT SIDE



NOTE :  
 BURNER EQUIPMENT  
 MAY EXTEND BEYOND  
 BOILER DIMENSIONS.

SPECIFICATIONS SUBJECT TO CHANGE WITHOUT NOTICE  
 ALL CONNECTIONS ARE THREADED UNLESS OTHERWISE SPECIFIED

**MODEL CPW-80**  
**82.1 BHP**  
**60 PSI WATER**