

# BURNHAM®

## Commercial Boilers

### RATINGS AND DATA

Shell Diameter : 45 $\frac{1}{4}$ "  
 Gross Output - BHP : 154.5  
 Gross Output - MBH : 5173  
 Net Rating - MBH : 4498  
 Safety Valve - MBH : 5270

Heating Surface - Sq. Ft.  
 Fireside - 551  
 Firetubes  
 Number - 126  
 Diameter - 2" O.D.

Firing Rate  
 1000 BTU Gas (MBH) - 6123  
 140000 BTU/Gal Oil (GPH) - 42.0

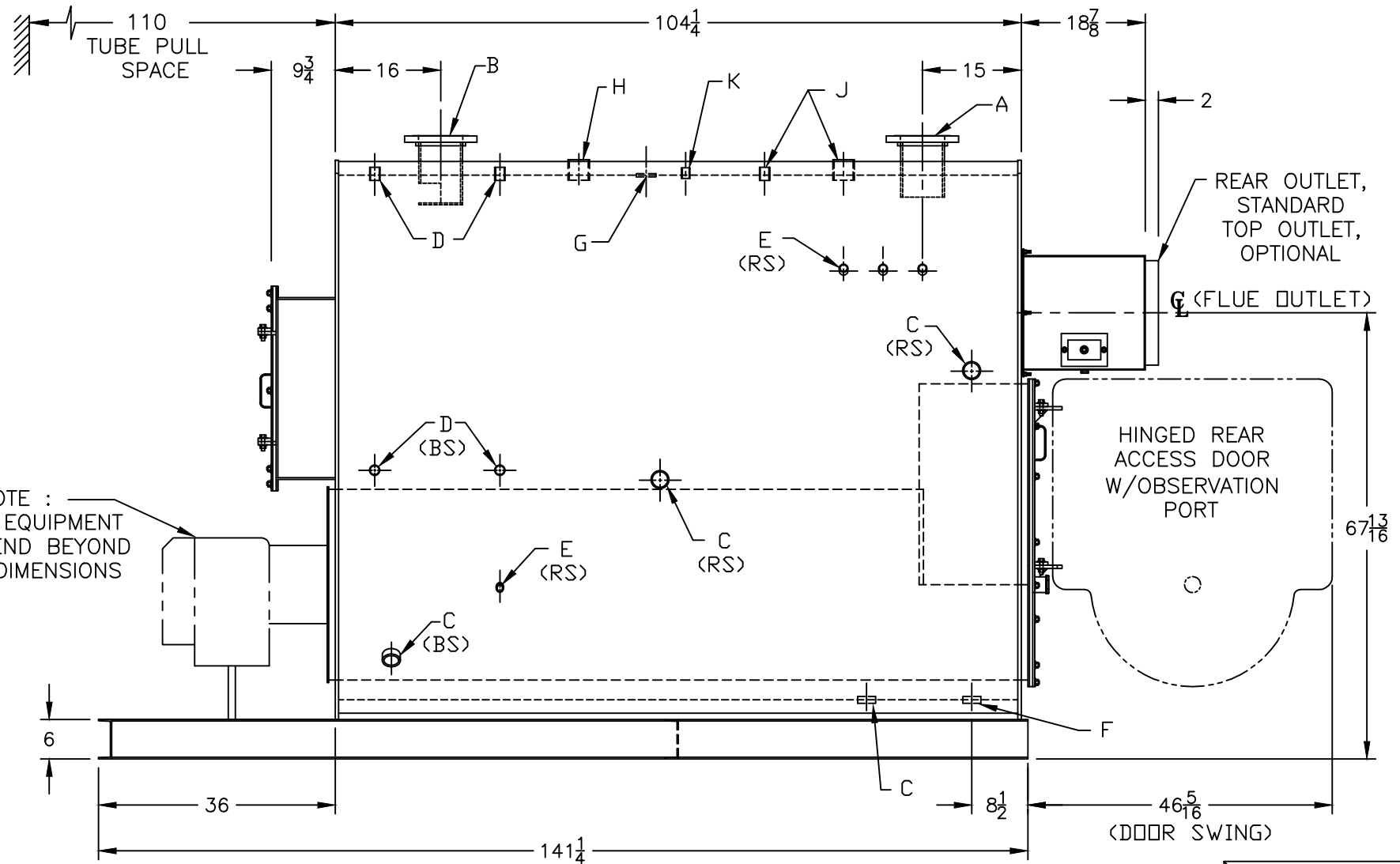
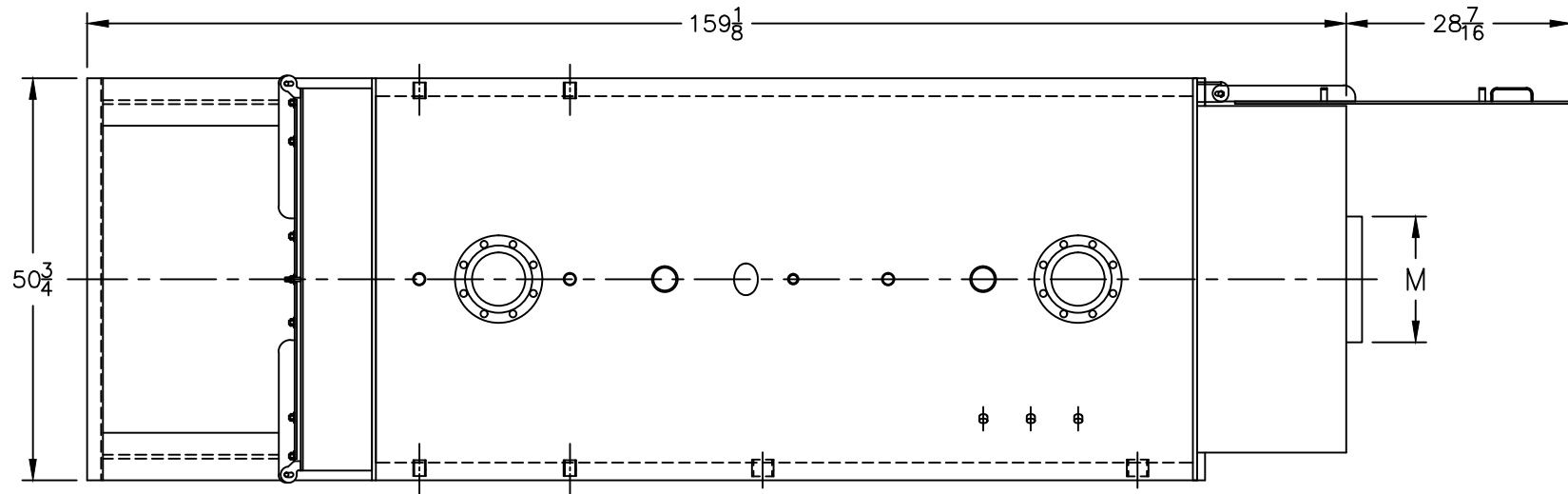
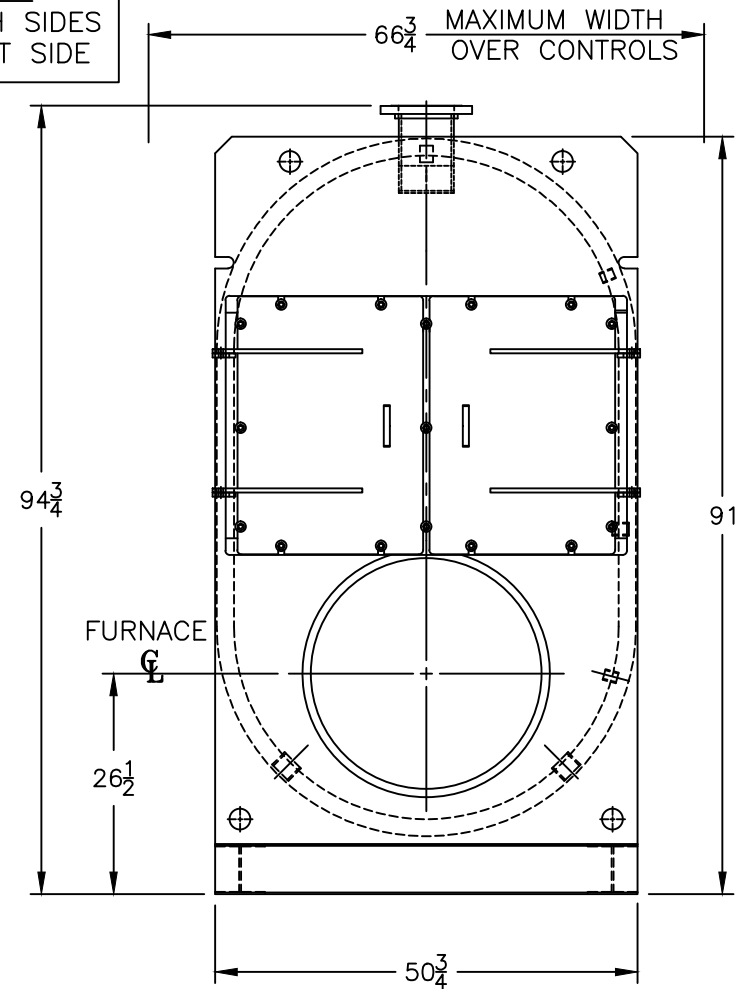
Water Content  
 Pounds - 7264  
 Gallons (U.S.) - 827  
 Approximate Weight/LBS.  
 Dry - 10279  
 Wet - 17543

### LEGEND CONNECTIONS

- A = 6" 150# FLANGED SUPPLY
- B = 6" 150# FLANGED RETURN
- C = 2" WASHOUT
- D = 1" WATER COLUMN
- E = 3/4" AQUASTAT
- F = 2" DRAIN
- G = 3 X 4 HANDHOLE
- H = 2" AUXILIARY CONNECTION
- J = 2" SAFETY/RELIEF VALVE (1)
- 1" SAFETY/RELIEF VALVE (1)
- K = 3/4" TEMPERATURE GAUGE
- M = 16" NOMINAL FLUE DIAMETER

### LEGEND

- BS = BOTH SIDES
- RS = RIGHT SIDE



**MODEL CW-150A**  
**154.5 BHP**  
**30 PSI WATER**

SPECIFICATIONS SUBJECT TO CHANGE WITHOUT NOTICE ALL CONNECTIONS ARE THREADED UNLESS OTHERWISE SPECIFIED  
 THIS DOCUMENT CONTAINS CONFIDENTIAL INFORMATION WHICH IS THE PROPERTY OF BURNHAM COMMERCIAL. THIS DOCUMENT MAY NOT BE REPRODUCED, TRANSFERRED OR USED, OR ITS CONTENTS DISCLOSED, WITHOUT THE WRITTEN PERMISSION OF THE OWNER.