

**LEGEND**

BS = BOTH SIDES  
 RS = RIGHT SIDE  
 LS = LEFT SIDE

**BURNHAM®**  
**Commercial Boilers**

**RATINGS AND DATA**

Shell Diameter : 54"  
 Gross Output - BHP : 100  
 Gross Output - MBH : 3348  
 Gross Output - Lbs/Hr : 3450  
 Net Rating - MBH : 2599  
 Net Rating - Sq. Ft. : 10829  
 Safety Valve - Lbs/Hr. : 3905

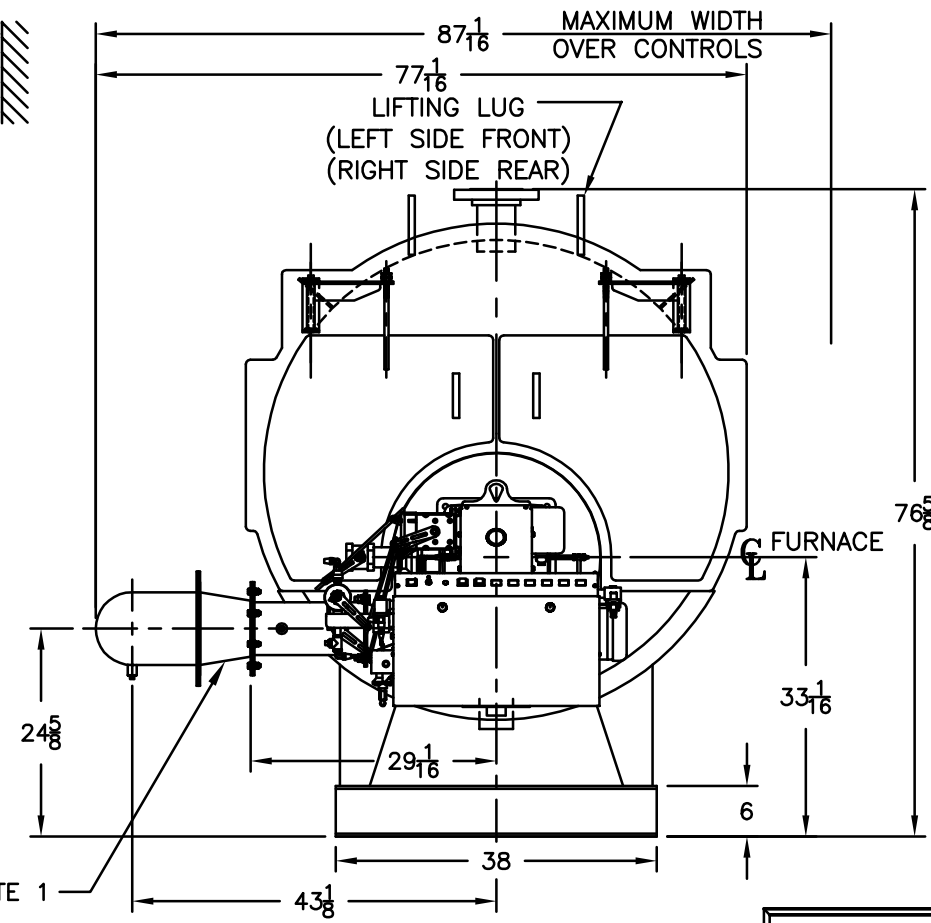
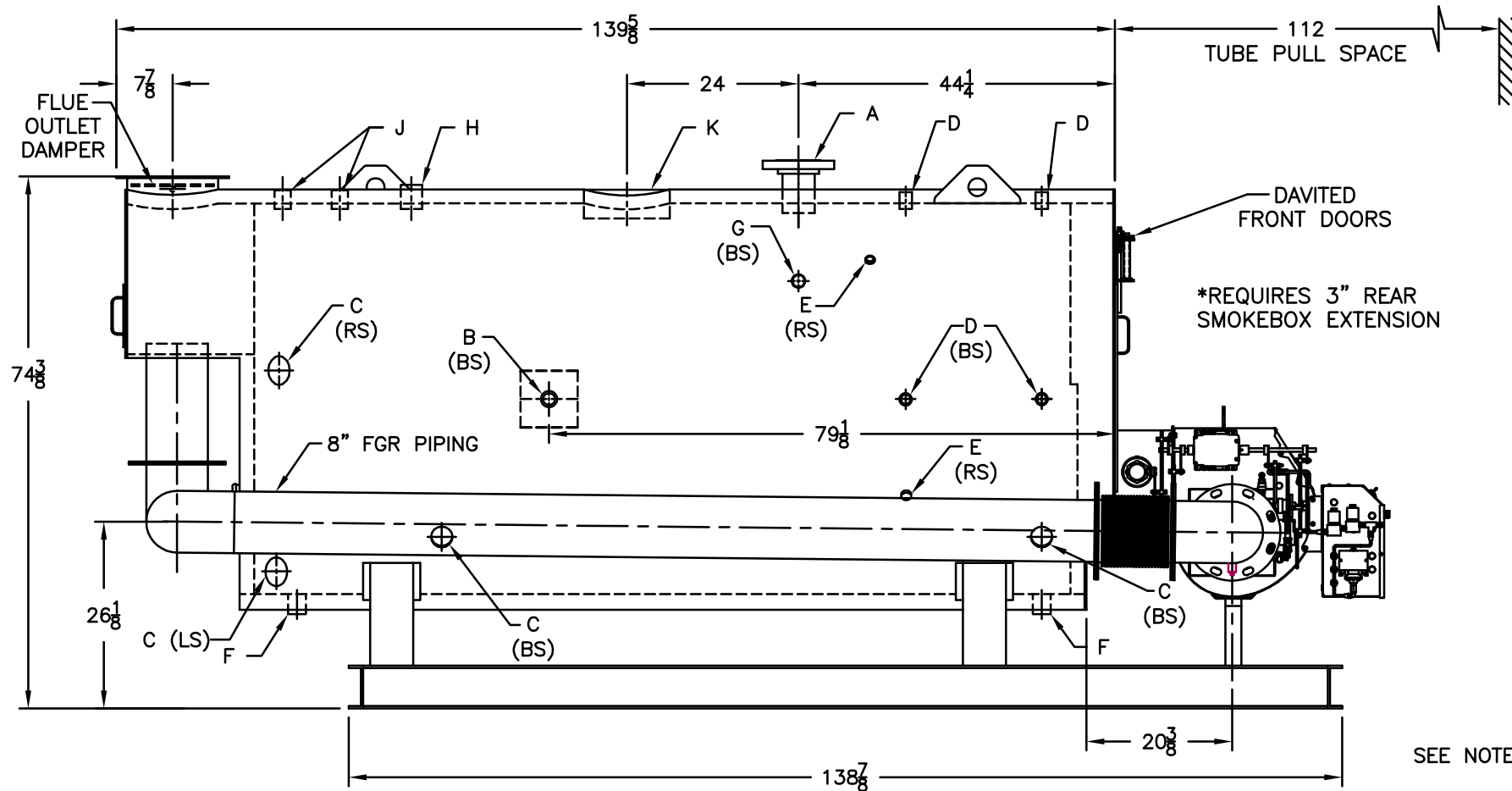
**LEGEND CONNECTIONS**

- A = 4" FLANGED SUPPLY (300#)
- B = 1-1/4" RETURN
- C = 3" x 4" HANDHOLE
- D = 1" WATER COLUMN
- E = 3/4" AQUASTAT
- F = 1-1/2" BOTTOM BLOWDOWN
- G = 1-1/2" SURFACE BLOWOFF
- H = 2" AUXILIARY CONNECTION
- J = 1-1/4" SAFETY VALVE (2)
- K = 12" X 16" MANHOLE
- L = 12" NOMINAL FLUE DIAMETER

Heating Surface - Sq. Ft.  
 Fireside - 500  
 Firtubes  
 Number - 106  
 Diameter - 2" O.D.

Firing Rate  
 1000 BTU Gas (MBH) - 4184  
 140000 BTU/Gal Oil (GPH) - 28.9  
 150000 BTU/Gal Oil (GPH) - 26.9

Water Content  
 Pounds - 5143  
 Gallons (U.S.) - 617  
 Approximate Weight/LBS.  
 Dry - 7956  
 Wet - 13100



NOTES:  
 1. FGR REDUCING FITTING MAY BE REQUIRED BASED ON FGR INLET SIZE ON BURNER.

**MODEL LN3P-100**  
**100 BHP**  
**POWERFLAME LNIC4**  
**150 PSI STEAM**