

BURNHAM®

Commercial Boilers

RATINGS AND DATA

Shell Diameter : 114"
 Gross Output - BHP : 1000
 Gross Output - MBH : 33475
 Gross Output - Lbs/Hr : 34500
 Net Rating - MBH : 25990
 Net Rating - Sq. Ft. : 108291
 Safety Valve - Lbs/Hr. : 39052

LEGEND CONNECTIONS

- A = 12" FLANGED SUPPLY (300#)
- B = 2-1/2" RETURN
- C = 3" x 4" HANDHOLE
- D = 1" WATER COLUMN
- E = 3/4" AQUASTAT
- F = 2" BOTTOM BLOWDOWN
- G = 2" SURFACE BLOWOFF
- H = 2" AUXILIARY CONNECTION
- J = 3" SAFETY VALVE (4)
- K = 12" x 16" MANHOLE
- L = 36" NOMINAL FLUE DIAMETER

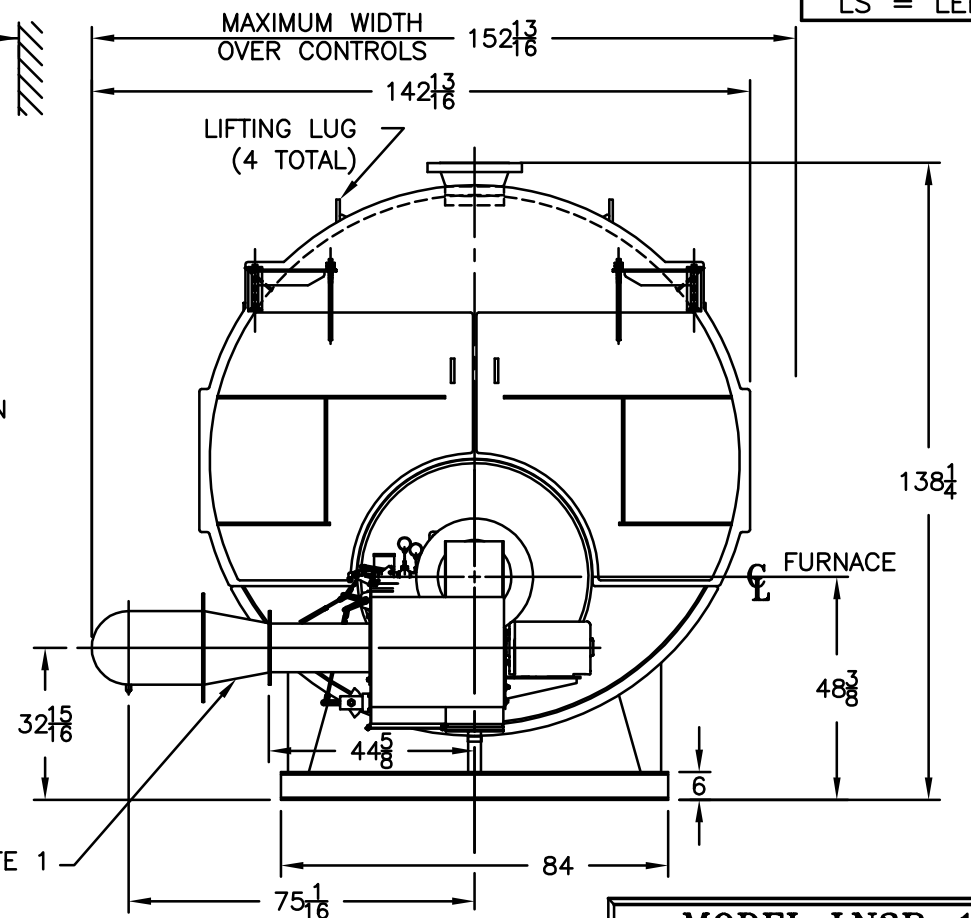
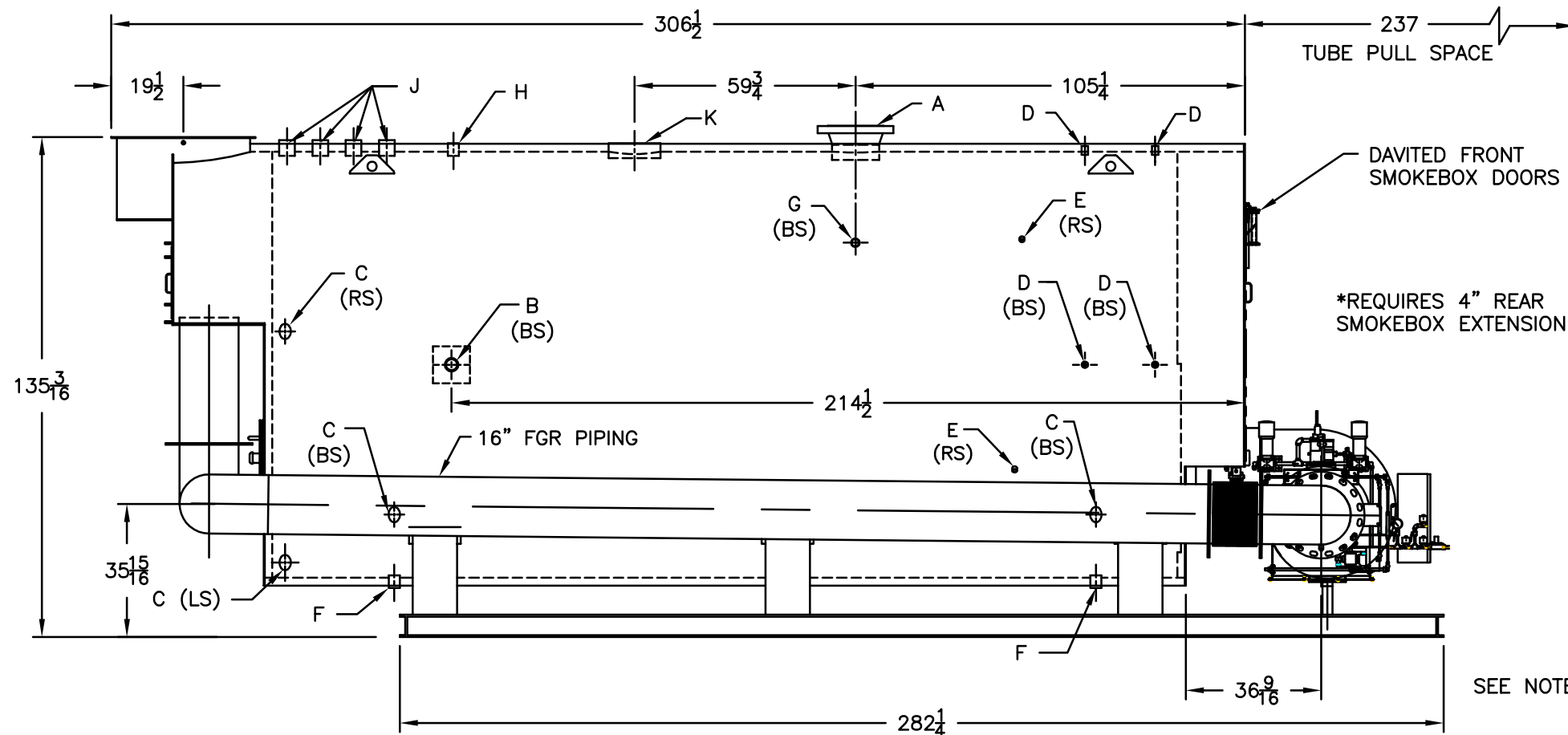
Heating Surface - Sq. Ft.
 Fireside - 5000
 Firetubes
 Number - 410
 Diameter - 2.5" O.D.

Firing Rate
 1000 BTU Gas (MBH) - 41844
 140000 BTU/Gal Oil (GPH) - 298.9
 150000 BTU/Gal Oil (GPH) - 279.0

Water Content
 Pounds - 40416
 Gallons (U.S.) - 4852
 Approximate Weight/LBS.
 Dry - 59920
 Wet - 100336

LEGEND

BS = BOTH SIDES
 RS = RIGHT SIDE
 LS = LEFT SIDE



NOTES:
 1. FGR REDUCING FITTING MAY BE REQUIRED BASED ON FGR INLET SIZE ON BURNER.

MODEL LN3P-1000
1000 BHP
POWERFLAME LNICM11A
150 PSI STEAM