

LEGEND
 BS = BOTH SIDES
 RS = RIGHT SIDE
 LS = LEFT SIDE

BURNHAM®
Commercial Boilers

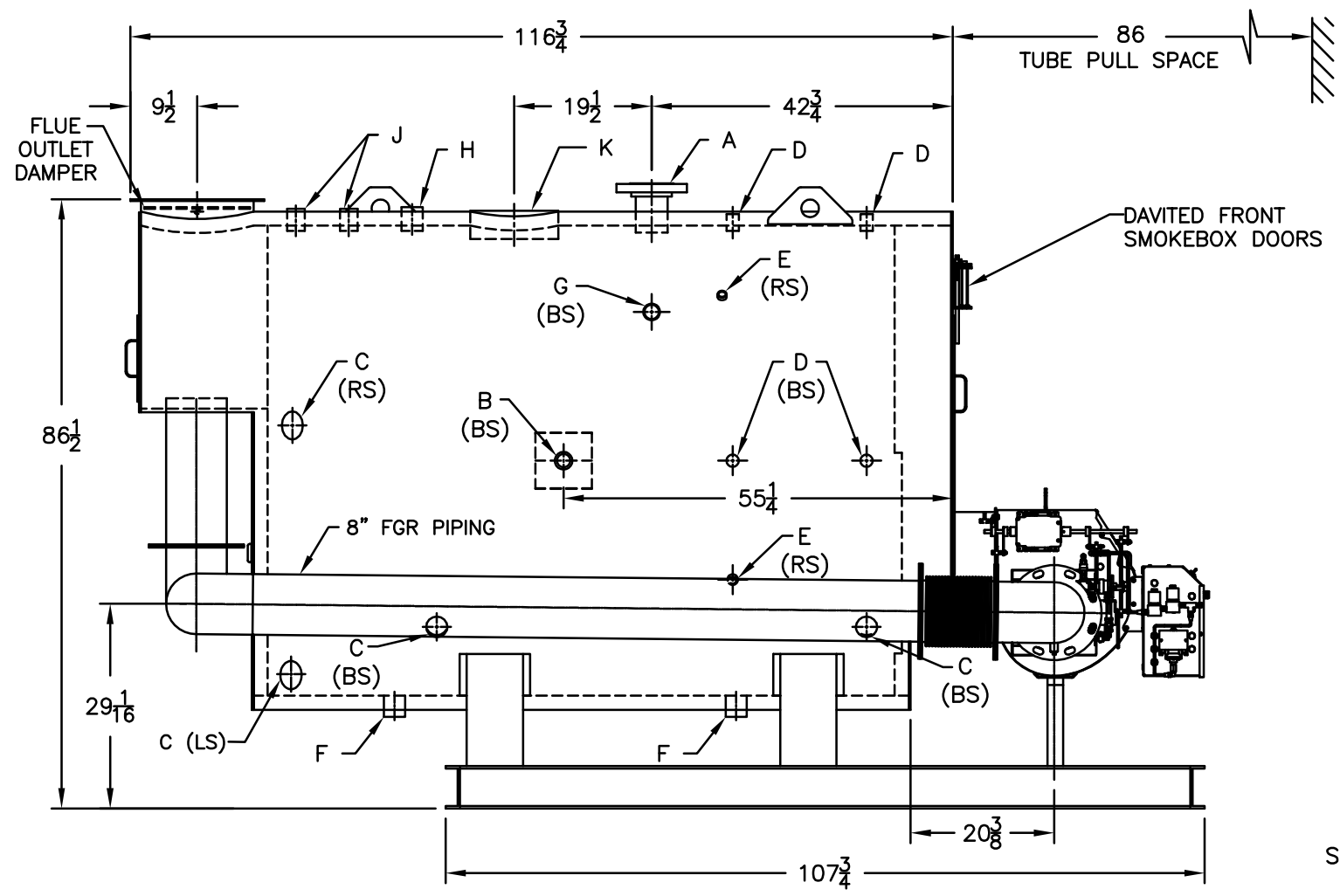
RATINGS AND DATA
 Shell Diameter : 66"
 Gross Output - BHP : 125
 Gross Output - MBH : 4184
 Gross Output - Lbs/Hr : 4312
 Net Rating - MBH : 3248
 Net Rating - Sq. Ft. : 13533
 Safety Valve - Lbs/Hr. : 4882

LEGEND CONNECTIONS
 A = 4" FLANGED SUPPLY (300#)
 B = 1-1/2" RETURN
 C = 3" x 4" HANDHOLE
 D = 1" WATER COLUMN
 E = 3/4" AQUASTAT
 F = 2" BOTTOM BLOWDOWN
 G = 2" SURFACE BLOWOFF
 H = 2" AUXILIARY CONNECTION
 J = 1-1/2" SAFETY VALVE (2)
 K = 12" x 16" MANHOLE
 L = 16" NOMINAL FLUE DIAMETER

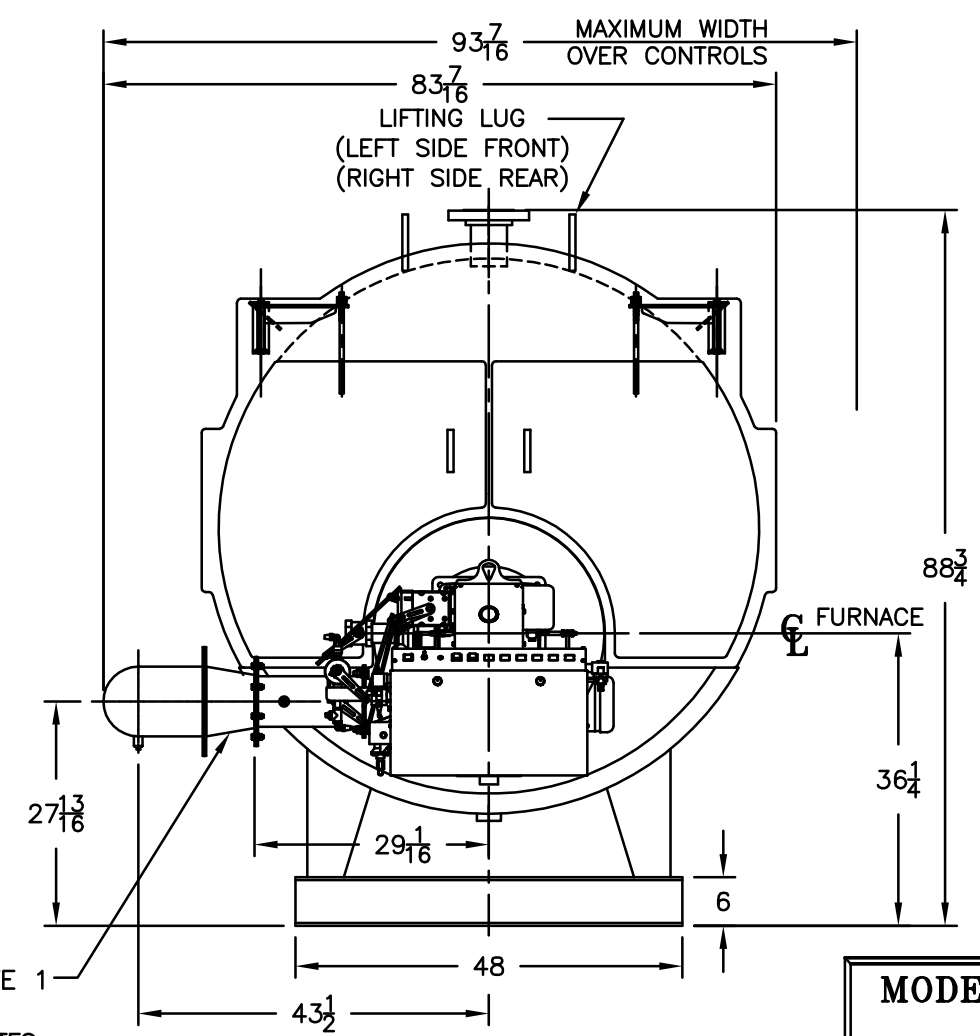
Heating Surface - Sq. Ft.
 Fireside - 625
 Firetubes
 Number - 182
 Diameter - 2" O.D.

Firing Rate
 1000 BTU Gas (MBH) - 5230
 140000 BTU/Gal Oil (GPH) - 35.7
 150000 BTU/Gal Oil (GPH) - 33.3

Water Content
 Pounds - 5807
 Gallons (U.S.) - 697
 Approximate Weight/LBS.
 Dry - 9618
 Wet - 15425



SEE NOTE 1
 NOTES:
 1. FGR REDUCING FITTING MAY BE REQUIRED BASED ON FGR INLET SIZE ON BURNER.



MODEL LN3P-125
125 BHP
POWERFLAME LNIC4
150 PSI STEAM