

**LEGEND**

BS = BOTH SIDES  
 RS = RIGHT SIDE  
 LS = LEFT SIDE

**BURNHAM®**  
**Commercial Boilers**

**RATINGS AND DATA**

Shell Diameter : 66"  
 Gross Output - BHP : 150  
 Gross Output - MBH : 5021  
 Gross Output - Lbs/Hr : 5175  
 Net Rating - MBH : 3898  
 Net Rating - Sq. Ft. : 16242  
 Safety Valve - Lbs/Hr. : 5858

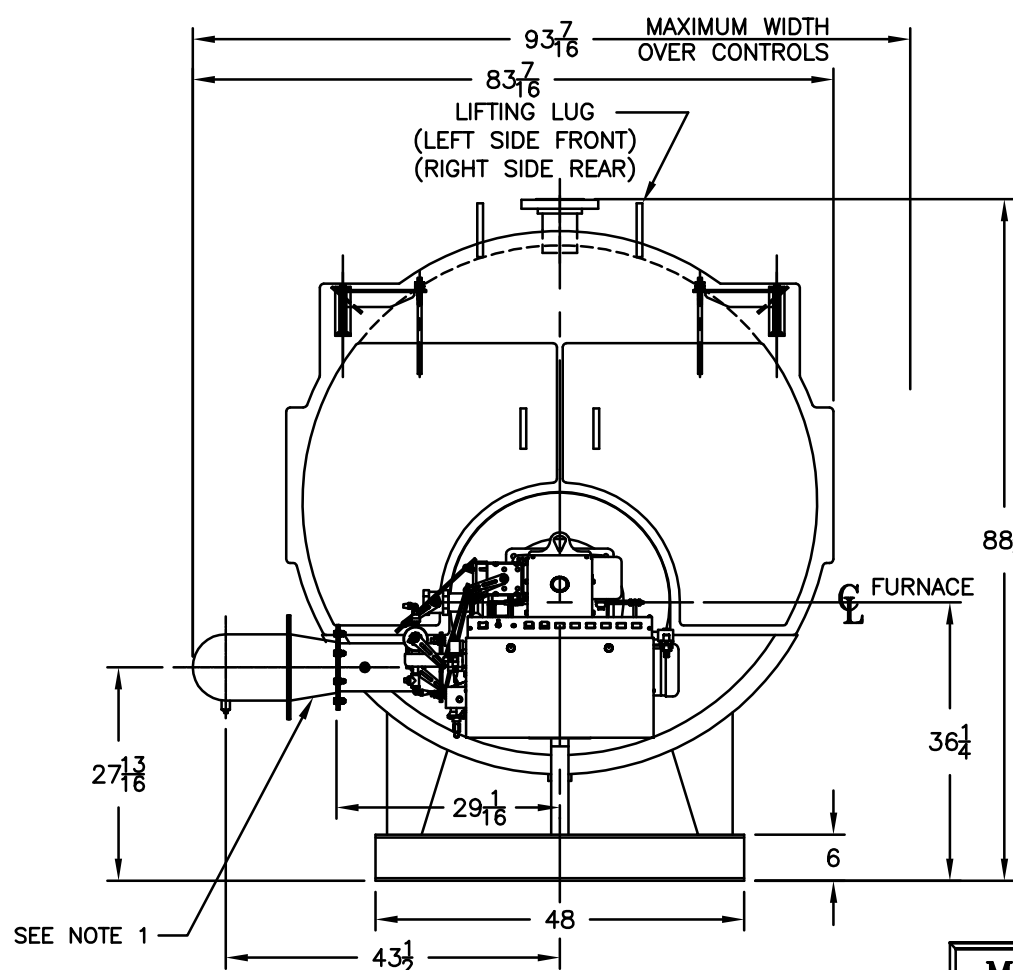
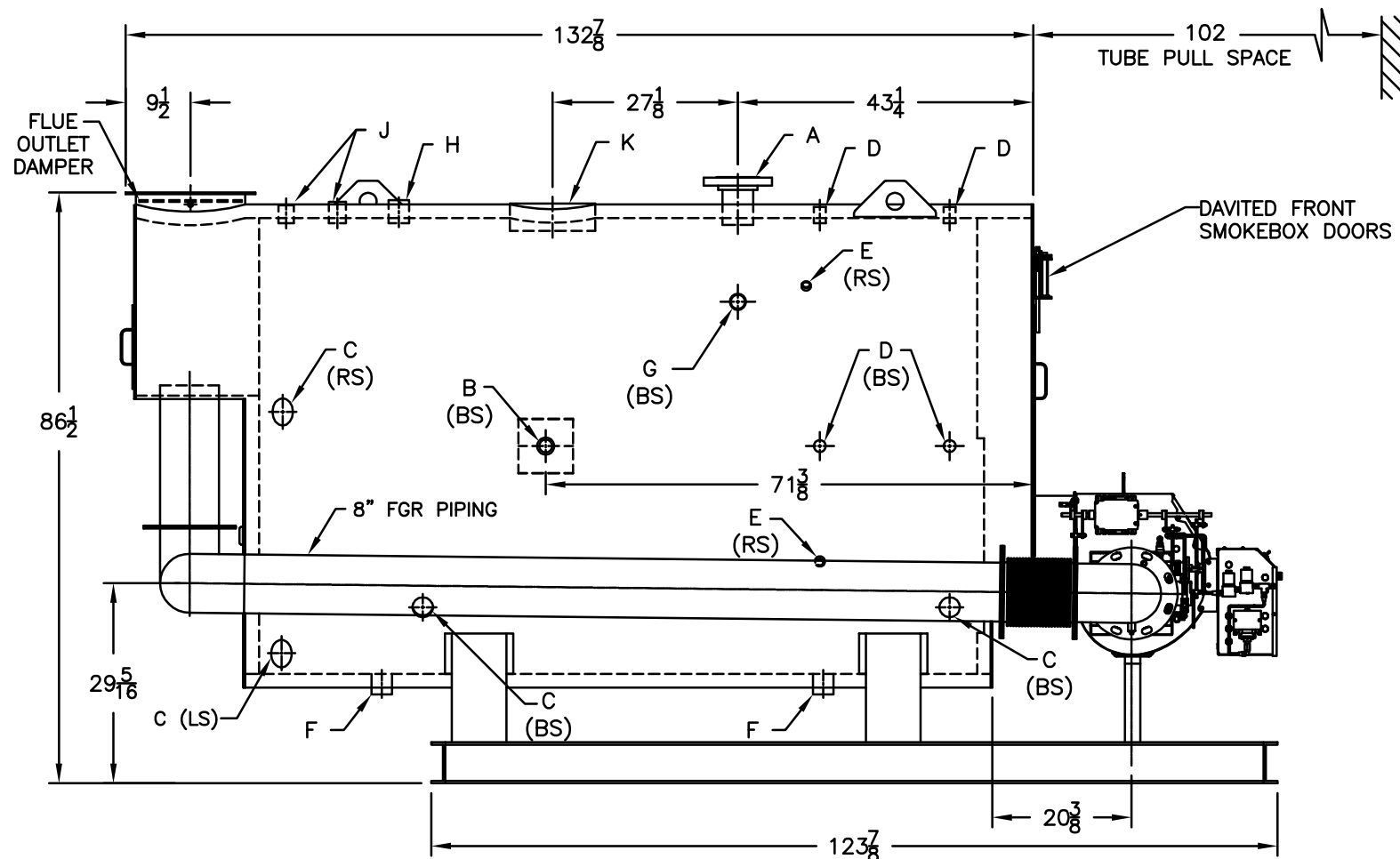
**LEGEND CONNECTIONS**

- A = 4" FLANGED SUPPLY (300#)
- B = 1-1/2" RETURN
- C = 3" x 4" HANDHOLE
- D = 1" WATER COLUMN
- E = 3/4" AQUASTAT
- F = 2" BOTTOM BLOWDOWN
- G = 2" SURFACE BLOWOFF
- H = 2" AUXILIARY CONNECTION
- J = 2" SAFETY VALVE  
 1-1/4" SAFETY VALVE
- K = 12" x 16" MANHOLE
- L = 16" NOMINAL FLUE DIAMETER

Heating Surface - Sq. Ft.  
 Fireside - 750  
 Firetubes  
 Number - 182  
 Diameter - 2" O.D.

Firing Rate  
 1000 BTU Gas (MBH) - 6277  
 140000 BTU/Gal Oil (GPH) - 43.1  
 150000 BTU/Gal Oil (GPH) - 40.2

Water Content  
 Pounds - 6943  
 Gallons (U.S.) - 833  
 Approximate Weight/LBS.  
 Dry - 10739  
 Wet - 17682



NOTES:  
 1. FGR REDUCING FITTING MAY BE REQUIRED BASED ON FGR INLET SIZE ON BURNER.

**MODEL LN3P-150**  
**150 BHP**  
**POWERFLAME LNIC5**  
**150 PSI STEAM**