

LEGEND
 BS = BOTH SIDES
 RS = RIGHT SIDE
 LS = LEFT SIDE

BURNHAM®
Commercial Boilers

RATINGS AND DATA
 Shell Diameter : 66"
 Gross Output - BHP : 200
 Gross Output - MBH : 6695
 Gross Output - Lbs/Hr : 6900
 Net Rating - MBH : 5198
 Net Rating - Sq. Ft. : 21658
 Safety Valve - Lbs/Hr. : 7810

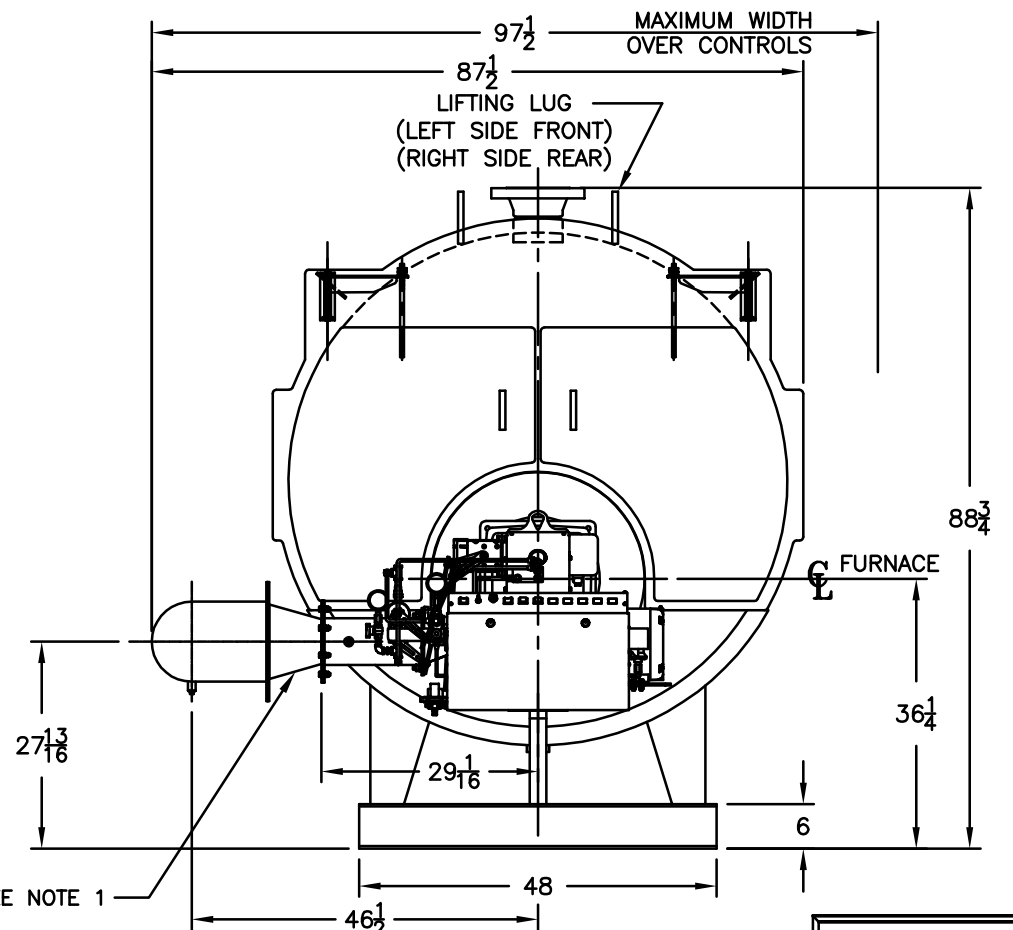
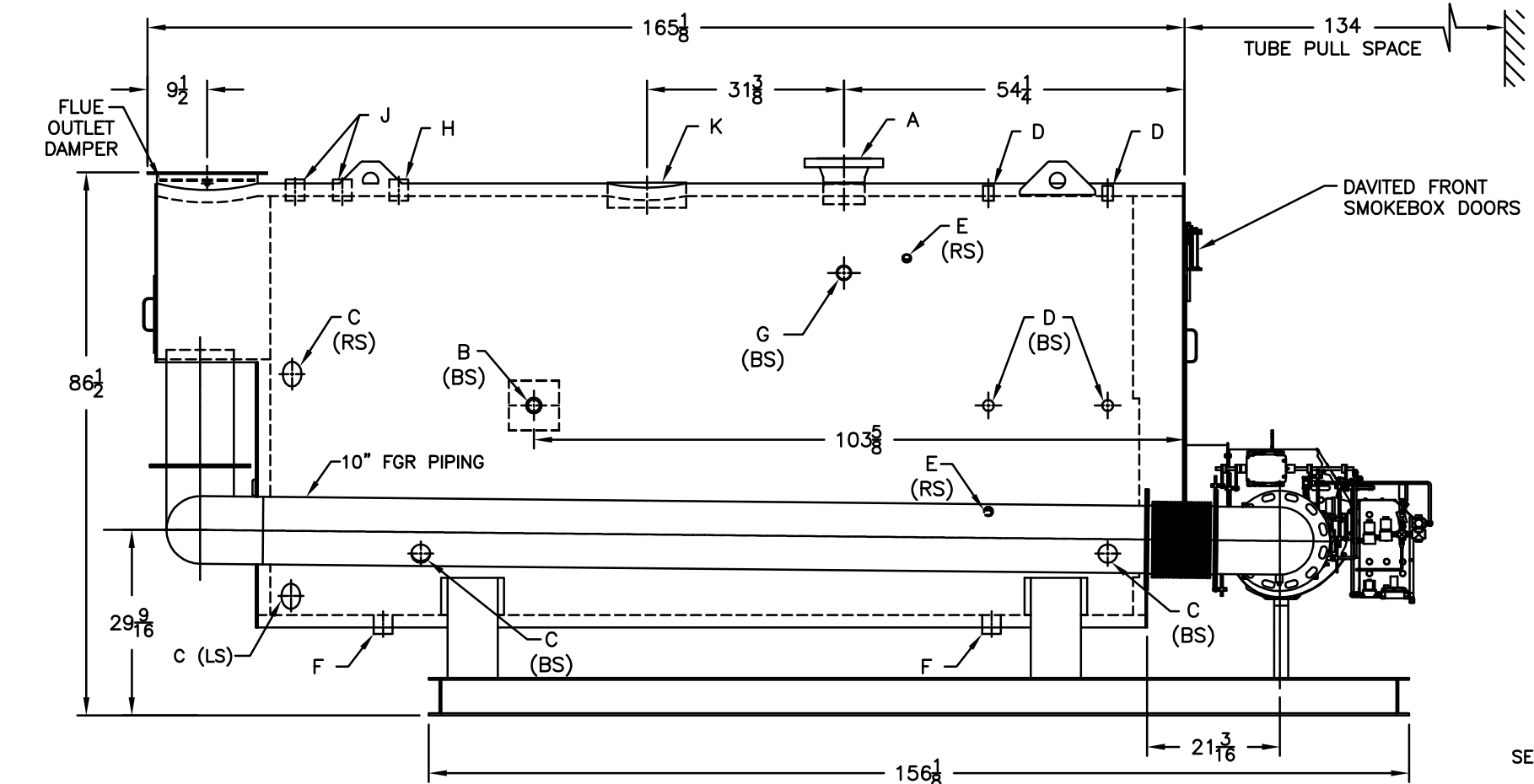
LEGEND CONNECTIONS

- A = 6" FLANGED SUPPLY (300#)
- B = 1-1/2" RETURN
- C = 3" x 4" HANDHOLE
- D = 1" WATER COLUMN
- E = 3/4" AQUASTAT
- F = 2" BOTTOM BLOWDOWN
- G = 2" SURFACE BLOWOFF
- H = 2" AUXILIARY CONNECTION
- J = 2" SAFETY VALVE (2)
- K = 12" x 16" MANHOLE
- L = 16" NOMINAL FLUE DIAMETER

Heating Surface - Sq. Ft.
 Fireside - 1000
 Firetubes
 Number - 182
 Diameter - 2" O.D.

Firing Rate
 1000 BTU Gas (MBH) - 8369
 140000 BTU/Gal Oil (GPH) - 57.6
 150000 BTU/Gal Oil (GPH) - 53.8

Water Content
 Pounds - 9215
 Gallons (U.S.) - 1106
 Approximate Weight/LBS.
 Dry - 13273
 Wet - 22488



NOTES:
 1. FGR REDUCING FITTING MAY BE REQUIRED BASED ON FGR INLET SIZE ON BURNER.

MODEL LN3P-200
200 BHP
POWERFLAME LNIC6
150 PSI STEAM