

LEGEND

BS = BOTH SIDES
 RS = RIGHT SIDE
 LS = LEFT SIDE

BURNHAM®
Commercial Boilers

RATINGS AND DATA

Shell Diameter : 78"
 Gross Output - BHP : 250
 Gross Output - MBH : 8369
 Gross Output - Lbs/Hr : 8625
 Net Rating - MBH : 6498
 Net Rating - Sq. Ft. : 27075
 Safety Valve - Lbs/Hr. : 9763

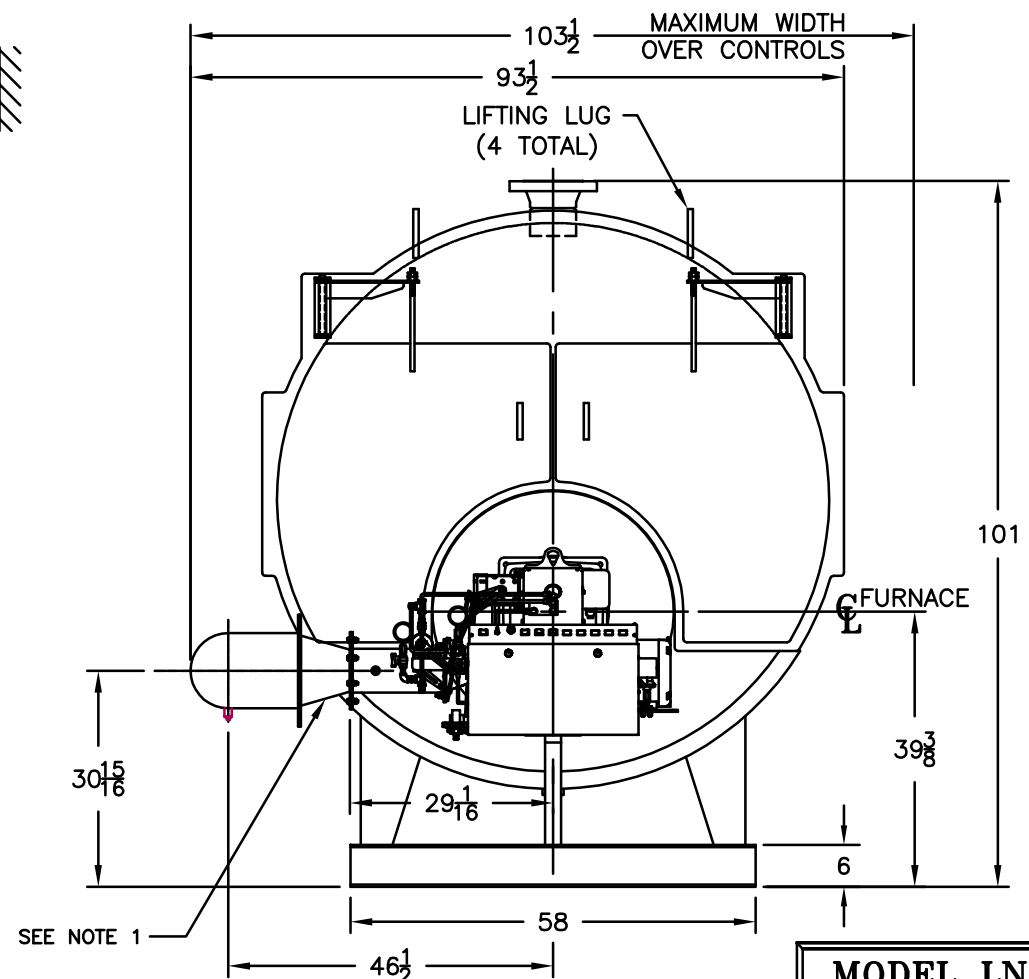
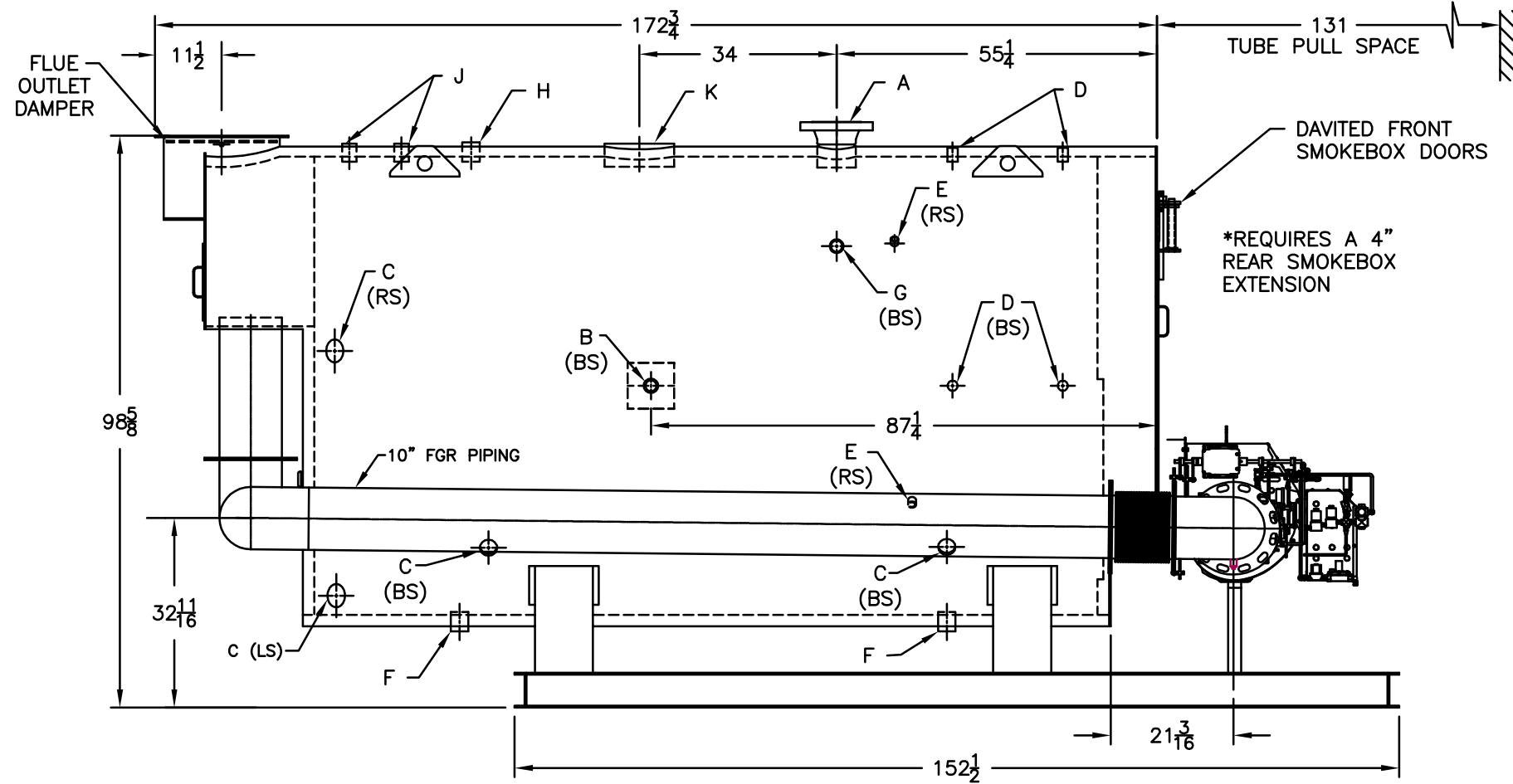
LEGEND CONNECTIONS

- A = 6" FLANGED SUPPLY (300#)
- B = 2" RETURN
- C = 3" x 4" HANDHOLE
- D = 1" WATER COLUMN
- E = 3/4" AQUASTAT
- F = 2" BOTTOM BLOWDOWN
- G = 2" SURFACE BLOWOFF
- H = 2" AUXILIARY CONNECTION
- J = 1-1/2" SAFETY VALVE (2)
- K = 12" x 16" MANHOLE
- L = 20" NOMINAL FLUE DIAMETER

Heating Surface - Sq. Ft.
 Fireside - 1250
 Firetubes
 Number - 186
 Diameter - 2.5" O.D.

Firing Rate
 1000 BTU Gas (MBH) - 10461
 140000 BTU/Gal Oil (GPH) - 71.7
 150000 BTU/Gal Oil (GPH) - 66.9

Water Content
 Pounds - 11128
 Gallons (U.S.) - 1336
 Approximate Weight/LBS.
 Dry - 18534
 Wet - 29663



NOTES:
 1. FGR REDUCING FITTING MAY BE REQUIRED BASED ON FGR INLET SIZE ON BURNER.

MODEL LN3P-250
250 BHP
POWERFLAME LNIC6
150 PSI STEAM