

LEGEND

BS = BOTH SIDES
RS = RIGHT SIDE
LS = LEFT SIDE

BURNHAM®
Commercial Boilers

RATINGS AND DATA

Shell Diameter : 78"
Gross Output - BHP : 300
Gross Output - MBH : 10043
Gross Output - Lbs/Hr : 10350
Net Rating - MBH : 7797
Net Rating - Sq. Ft. : 32488
Safety Valve - Lbs/Hr. : 11716

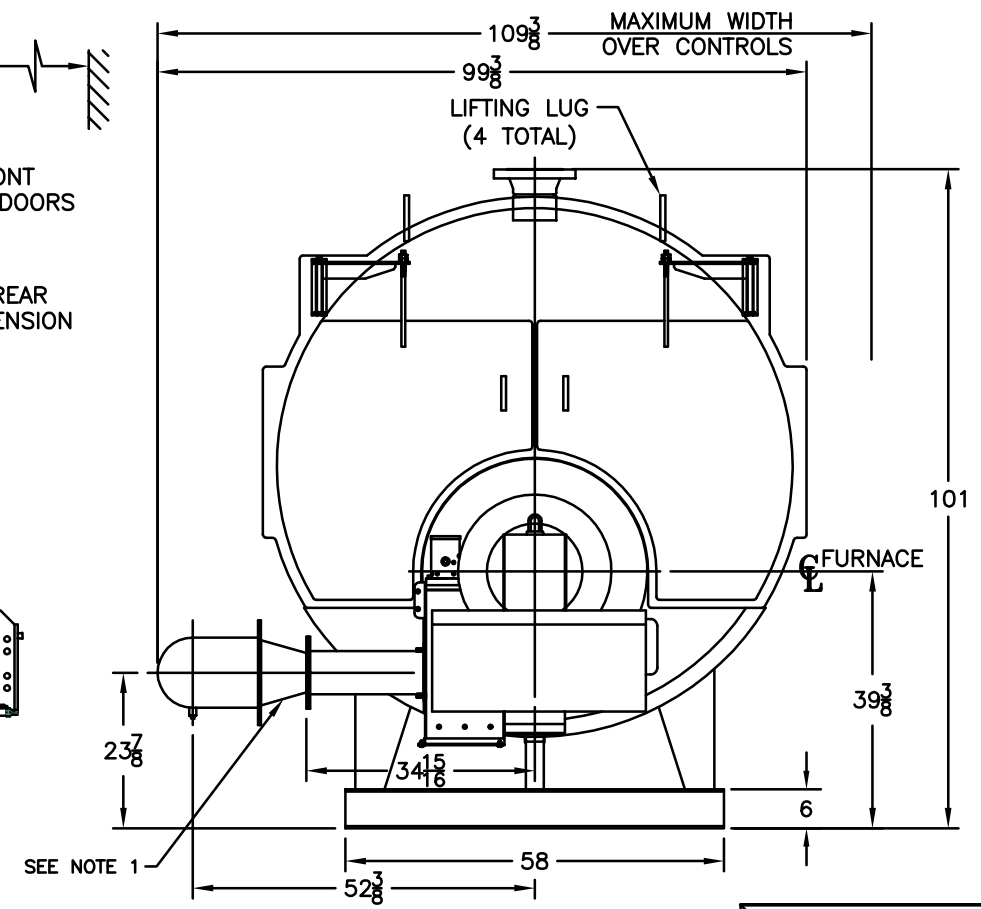
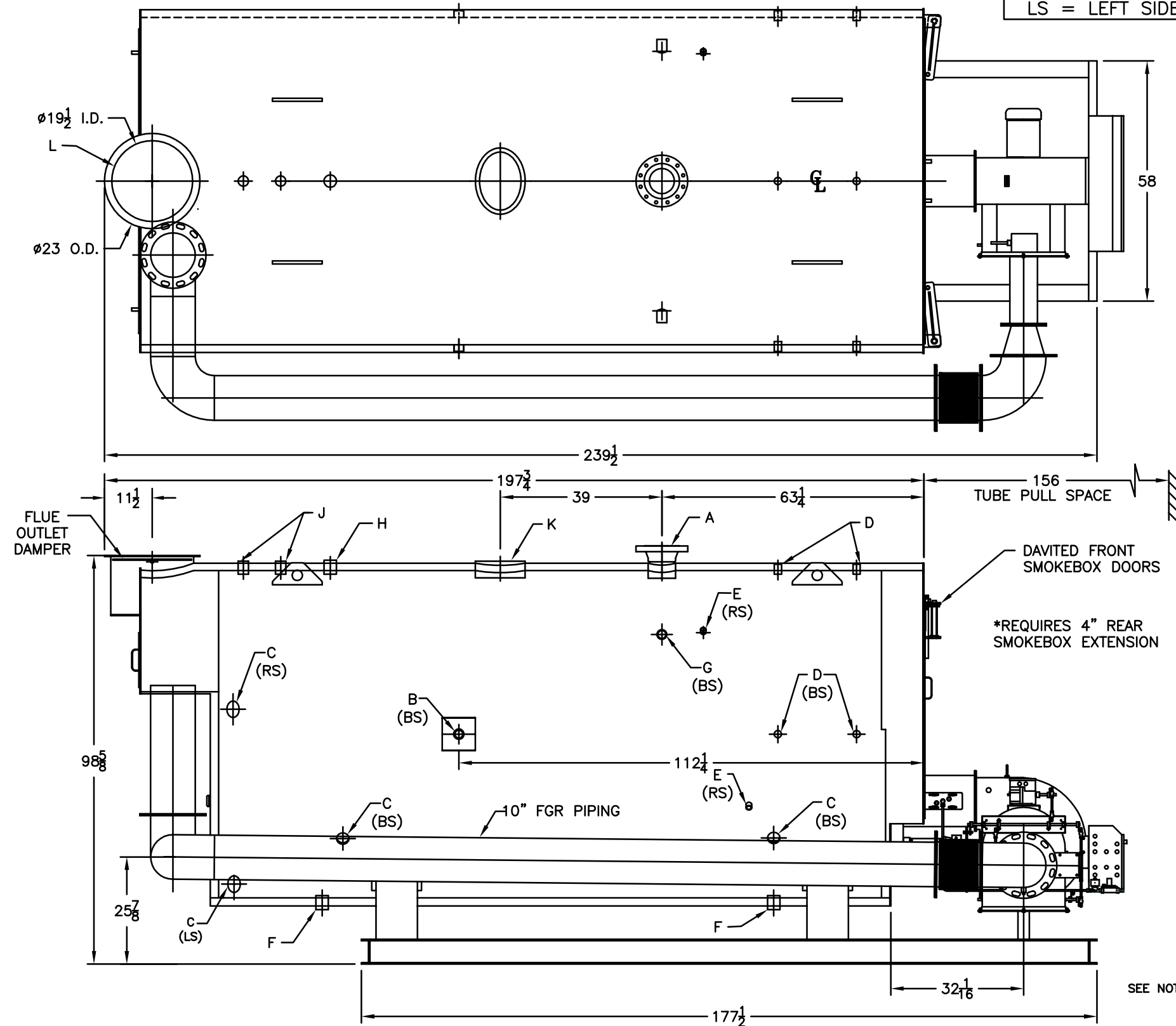
LEGEND CONNECTIONS

A = 6" FLANGED SUPPLY (300#)
B = 2" RETURN
C = 3" x 4" HANDHOLE
D = 1" WATER COLUMN
E = 3/4" AQUASTAT
F = 2" BOTTOM BLOWDOWN
G = 2" SURFACE BLOWOFF
H = 2" AUXILIARY CONNECTION
J = 1-1/2" SAFETY VALVE (2)
K = 12" x 16" MANHOLE
L = 20" NOMINAL FLUE DIAMETER

Heating Surface - Sq. Ft.
Fireside - 1500
Firetubes
Number - 186
Diameter - 2.5" O.D.

Firing Rate
1000 BTU Gas (MBH) - 12553
140000 BTU/Gal Oil (GPH) - 86.3
150000 BTU/Gal Oil (GPH) - 80.5

Water Content
Pounds - 13305
Gallons (U.S.) - 1597
Approximate Weight/LBS.
Dry - 21104
Wet - 34409



NOTES:
1. FGR REDUCING FITTING MAY BE REQUIRED BASED ON FGR INLET SIZE ON BURNER.

MODEL LN3P-300
300 BHP
POWERFLAME LNICM9A
150 PSI STEAM