

LEGEND

BS = BOTH SIDES
 RS = RIGHT SIDE
 LS = LEFT SIDE

BURNHAM®
Commercial Boilers

RATINGS AND DATA

Shell Diameter : 90"
 Gross Output - BHP : 350
 Gross Output - MBH : 11716
 Gross Output - Lbs/Hr : 12075
 Net Rating - MBH : 9096
 Net Rating - Sq. Ft. : 37900
 Safety Valve - Lbs/Hr. : 13668

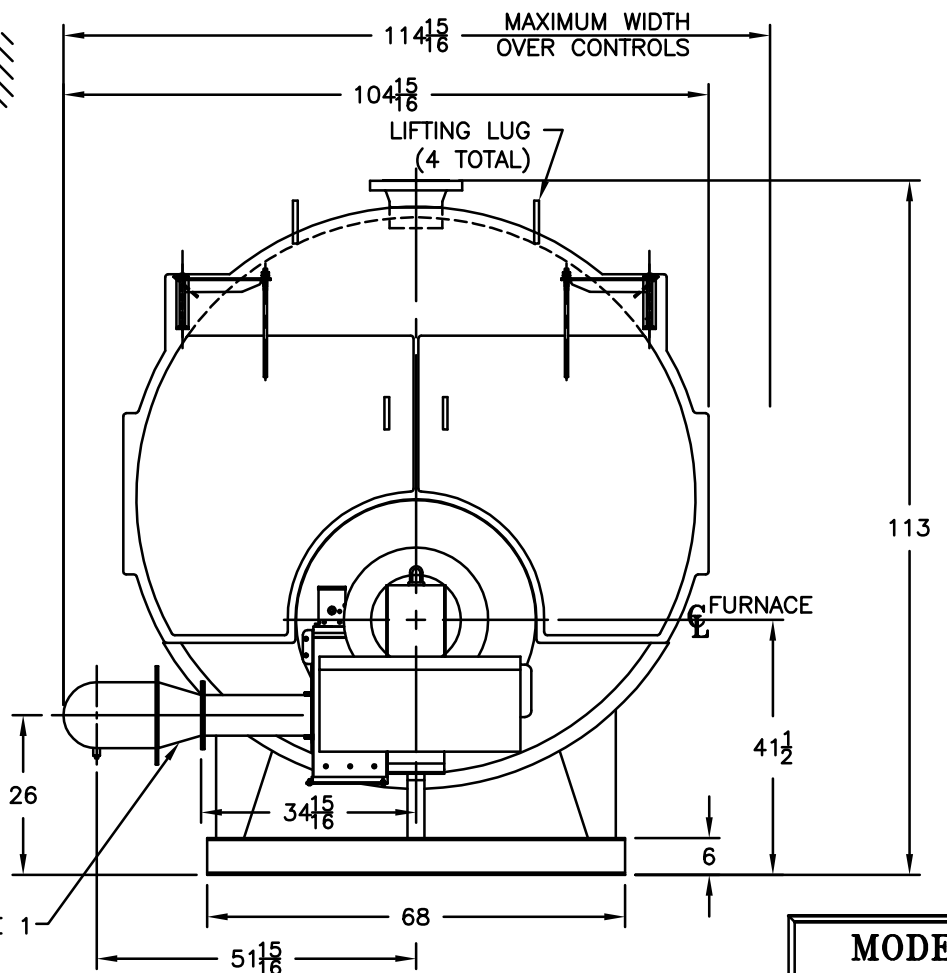
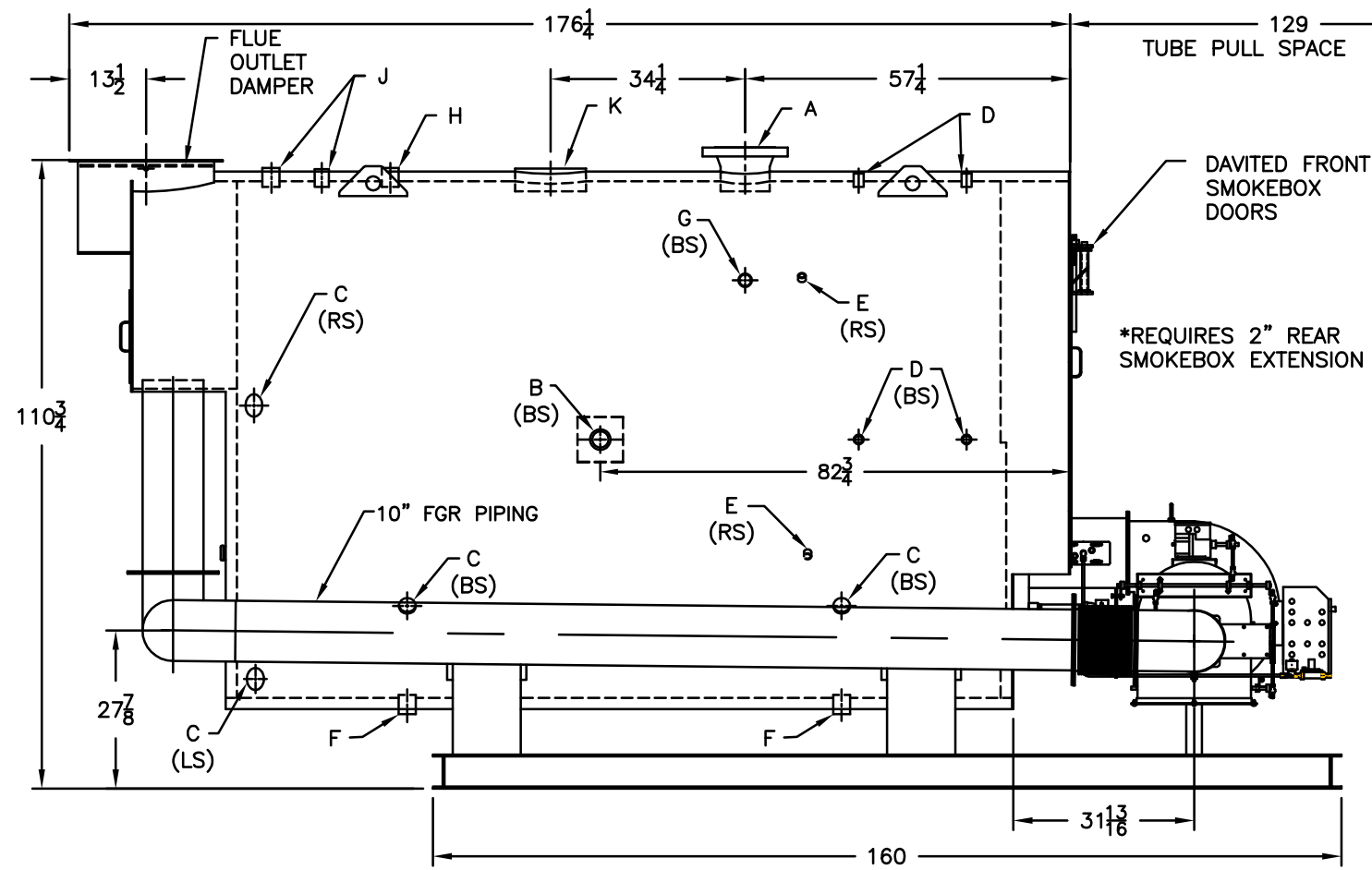
LEGEND CONNECTIONS

- A = 8" FLANGED SUPPLY (300#)
- B = 2-1/2" RETURN
- C = 3" x 4" HANDHOLE
- D = 1" WATER COLUMN
- E = 3/4" AQUASTAT
- F = 2" BOTTOM BLOWDOWN
- G = 2" SURFACE BLOWOFF
- H = 2" AUXILIARY CONNECTION
- J = 2" SAFETY VALVE
 1-1/2" SAFETY VALVE
- K = 12" x 16" MANHOLE
- L = 24" NOMINAL FLUE DIAMETER

Heating Surface - Sq. Ft.
 Fireside - 1750
 Firtubes
 Number - 268
 Diameter - 2.5" O.D.

Firing Rate
 1000 BTU Gas (MBH) - 14645
 140000 BTU/Gal Oil (GPH) - 100.1
 150000 BTU/Gal Oil (GPH) - 93.4

Water Content
 Pounds - 14457
 Gallons (U.S.) - 1735
 Approximate Weight/LBS.
 Dry - 23495
 Wet - 37952



NOTES:
 1. FGR REDUCING FITTING MAY BE REQUIRED BASED ON FGR INLET SIZE ON BURNER.

MODEL LN3P-350
350 BHP
POWERFLAME LNICM9A
150 PSI STEAM