

# BURNHAM®

## Commercial Boilers

### RATINGS AND DATA

Shell Diameter : 90"  
 Gross Output - BHP : 400  
 Gross Output - MBH : 13390  
 Gross Output - Lbs/Hr : 13800  
 Net Rating - MBH : 10396  
 Net Rating - Sq. Ft. : 43317  
 Safety Valve - Lbs/Hr. : 15621

### LEGEND CONNECTIONS

- A = 8" FLANGED SUPPLY (300#)
- B = 2-1/2" RETURN
- C = 3" x 4" HANDHOLE
- D = 1" WATER COLUMN
- E = 3/4" AQUASTAT
- F = 2" BOTTOM BLOWDOWN
- G = 2" SURFACE BLOWOFF
- H = 2" AUXILIARY CONNECTION
- J = 2" SAFETY VALVE  
1-1/2" SAFETY VALVE
- K = 12" x 16" MANHOLE
- L = 24" NOMINAL FLUE DIAMETER

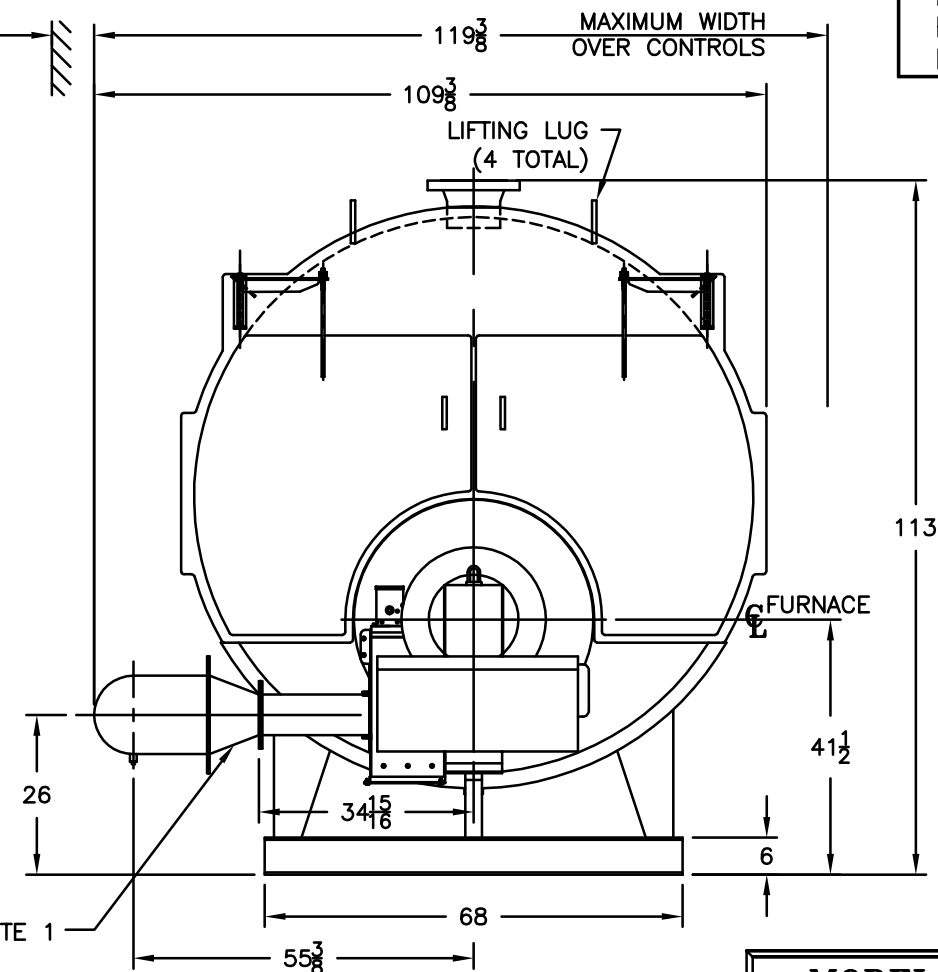
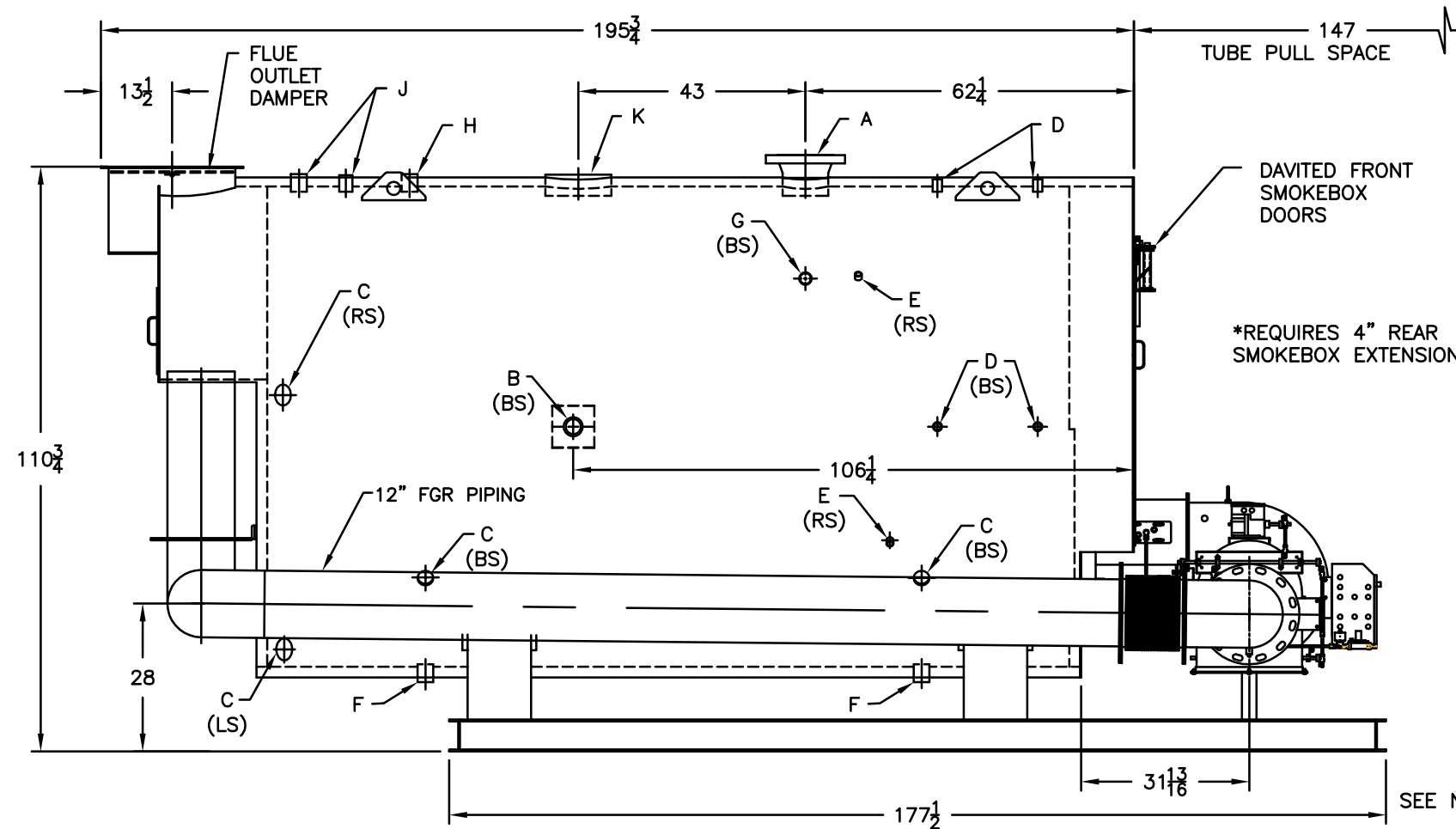
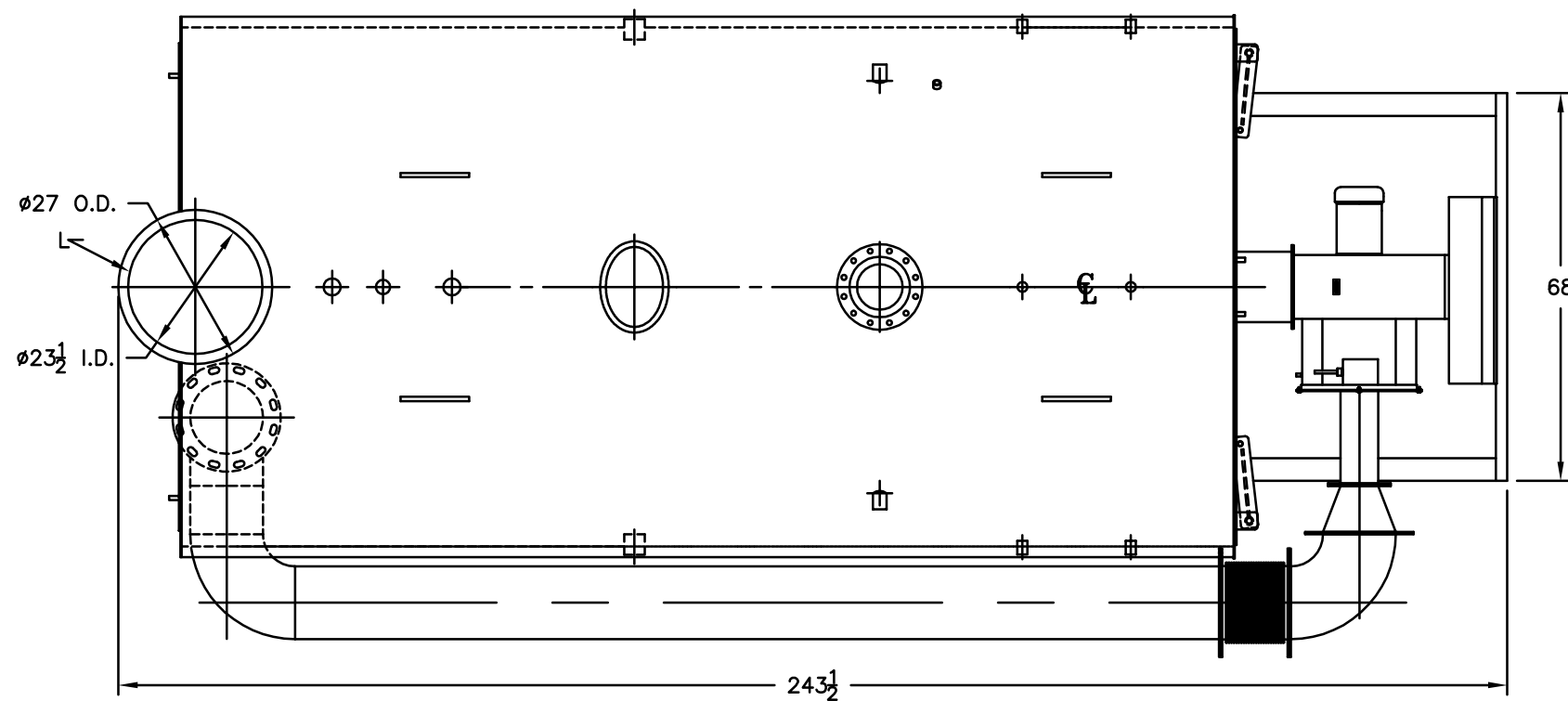
Heating Surface - Sq. Ft.  
 Fireside - 2000  
 Firetubes  
 Number - 268  
 Diameter - 2.5" O.D.

Firing Rate  
 1000 BTU Gas (MBH) - 16738  
 140000 BTU/Gal Oil (GPH) - 114.8  
 150000 BTU/Gal Oil (GPH) - 107.1

Water Content  
 Pounds - 16453  
 Gallons (U.S.) - 1975  
 Approximate Weight/LBS.  
 Dry - 25991  
 Wet - 42444

### LEGEND

BS = BOTH SIDES  
 RS = RIGHT SIDE  
 LS = LEFT SIDE



NOTES:  
 1. FGR REDUCING FITTING MAY BE REQUIRED BASED ON FGR INLET SIZE ON BURNER.

**MODEL LN3P-400**  
**400 BHP**  
**POWERFLAME LNICM9B**  
**150 PSI STEAM**