

# BURNHAM®

## Commercial Boilers

### RATINGS AND DATA

Shell Diameter : 102"  
 Gross Output - BHP : 500  
 Gross Output - MBH : 16738  
 Gross Output - Lbs/Hr : 17250  
 Net Rating - MBH : 12995  
 Net Rating - Sq. Ft. : 54146  
 Safety Valve - Lbs/Hr. : 19526

### LEGEND CONNECTIONS

- A = 8" FLANGED SUPPLY (300#)
- B = 2-1/2" RETURN
- C = 3" x 4" HANDHOLE
- D = 1" WATER COLUMN
- E = 3/4" AQUASTAT
- F = 2" BOTTOM BLOWDOWN
- G = 2" SURFACE BLOWOFF
- H = 2" AUXILIARY CONNECTION
- J = 2" SAFETY VALVE (2)
- K = 12" x 16" MANHOLE
- L = 28" NOMINAL FLUE DIAMETER

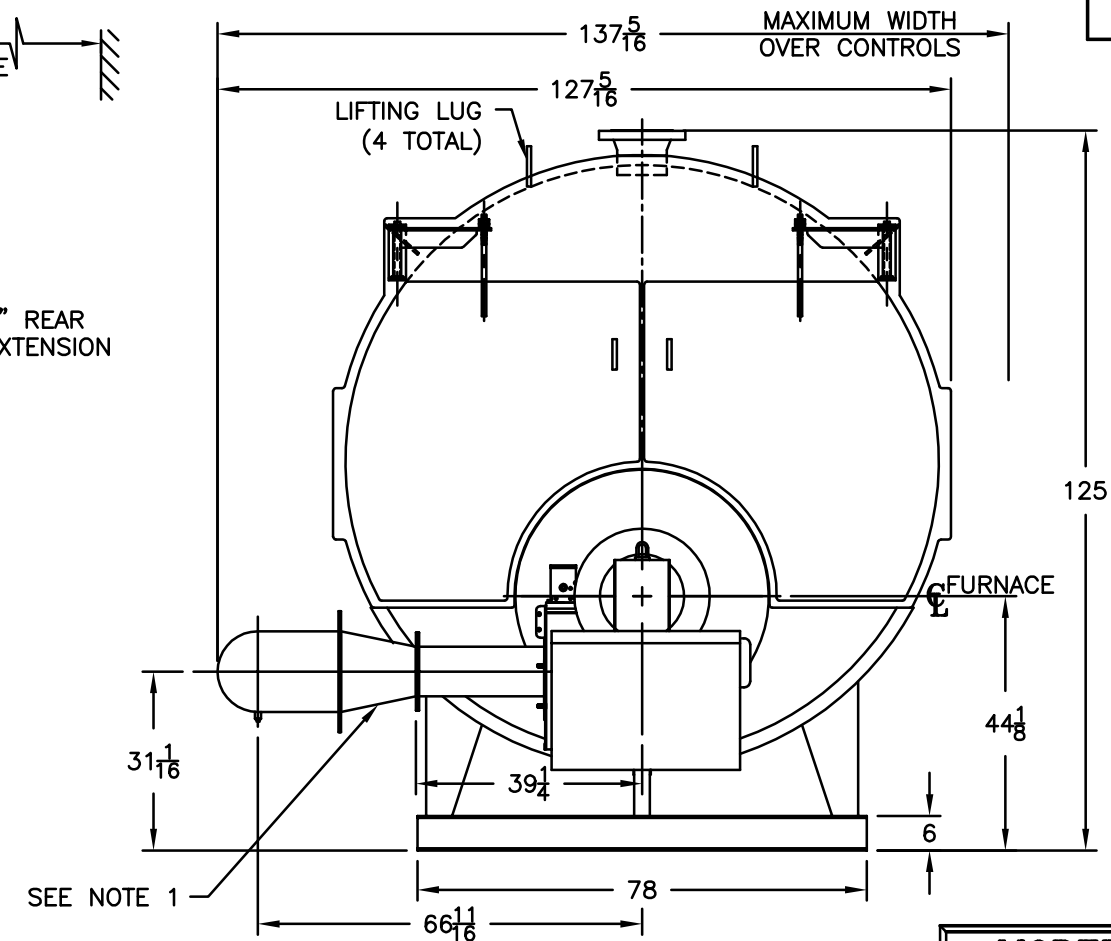
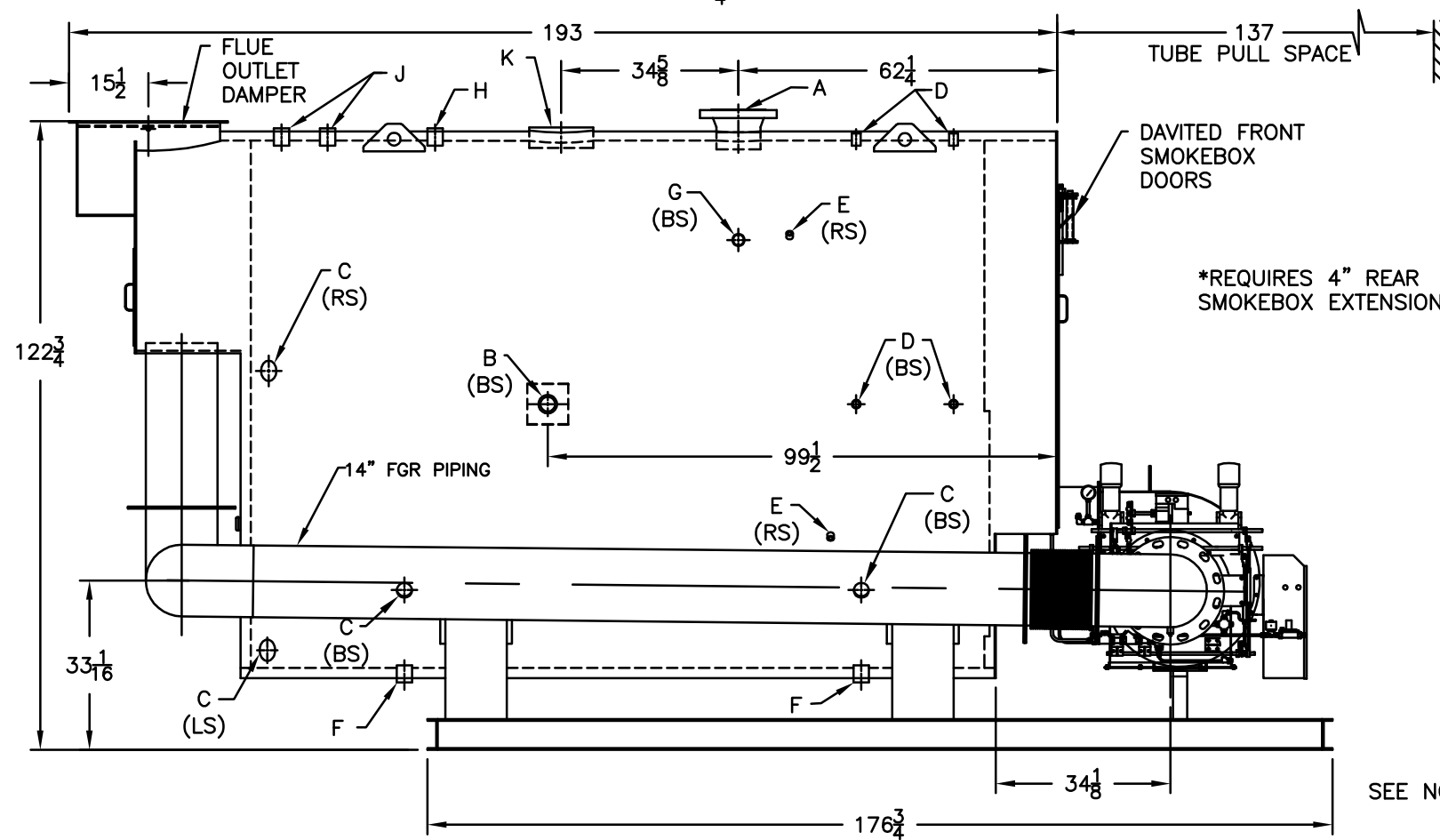
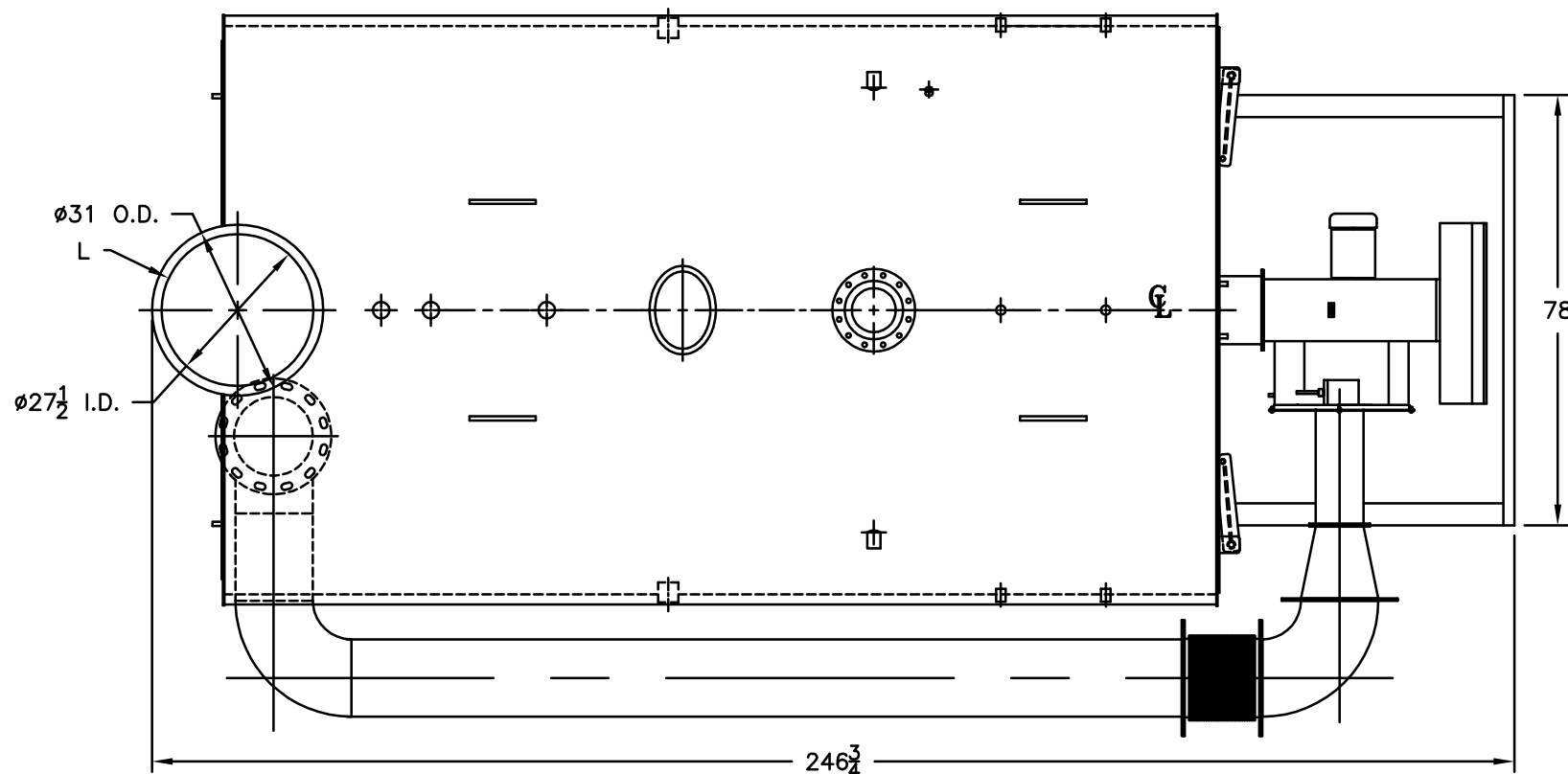
Heating Surface - Sq. Ft.  
 Fireside - 2500  
 Firetubes  
 Number - 362  
 Diameter - 2.5" O.D.

Firing Rate  
 1000 BTU/Gas (MBH) - 20922  
 140000 BTU/Gal Oil (GPH) - 143.3  
 150000 BTU/Gal Oil (GPH) - 133.7

Water Content  
 Pounds - 20271  
 Gallons (U.S.) - 2434  
 Approximate Weight/LBS.  
 Dry - 30485  
 Wet - 50757

### LEGEND

BS = BOTH SIDES  
 RS = RIGHT SIDE  
 LS = LEFT SIDE



NOTES:  
 1. FGR REDUCING FITTING MAY BE REQUIRED BASED ON FGR INLET SIZE ON BURNER.

**MODEL LN3P-500**  
**500 BHP**  
**POWERFLAME LNICM10**  
**150 PSI STEAM**