

BURNHAM®

Commercial Boilers

RATINGS AND DATA

Shell Diameter : 48"
 Gross Output - BHP : 60
 Gross Output - MBH : 2009
 Gross Output - Lbs/Hr : 2070
 Net Rating - MBH : 1560
 Net Rating - Sq. Ft. : 6500
 Safety Valve - Lbs/Hr. : 2343

Heating Surface - Sq. Ft.
 Fireside - 300
 Firetubes
 Number - 92
 Diameter - 2" O.D.

Firing Rate
 1000 BTU Gas (MBH) - 2511
 140000 BTU/Gal Oil (GPH) - 17.4
 150000 BTU/Gal Oil (GPH) - 16.2

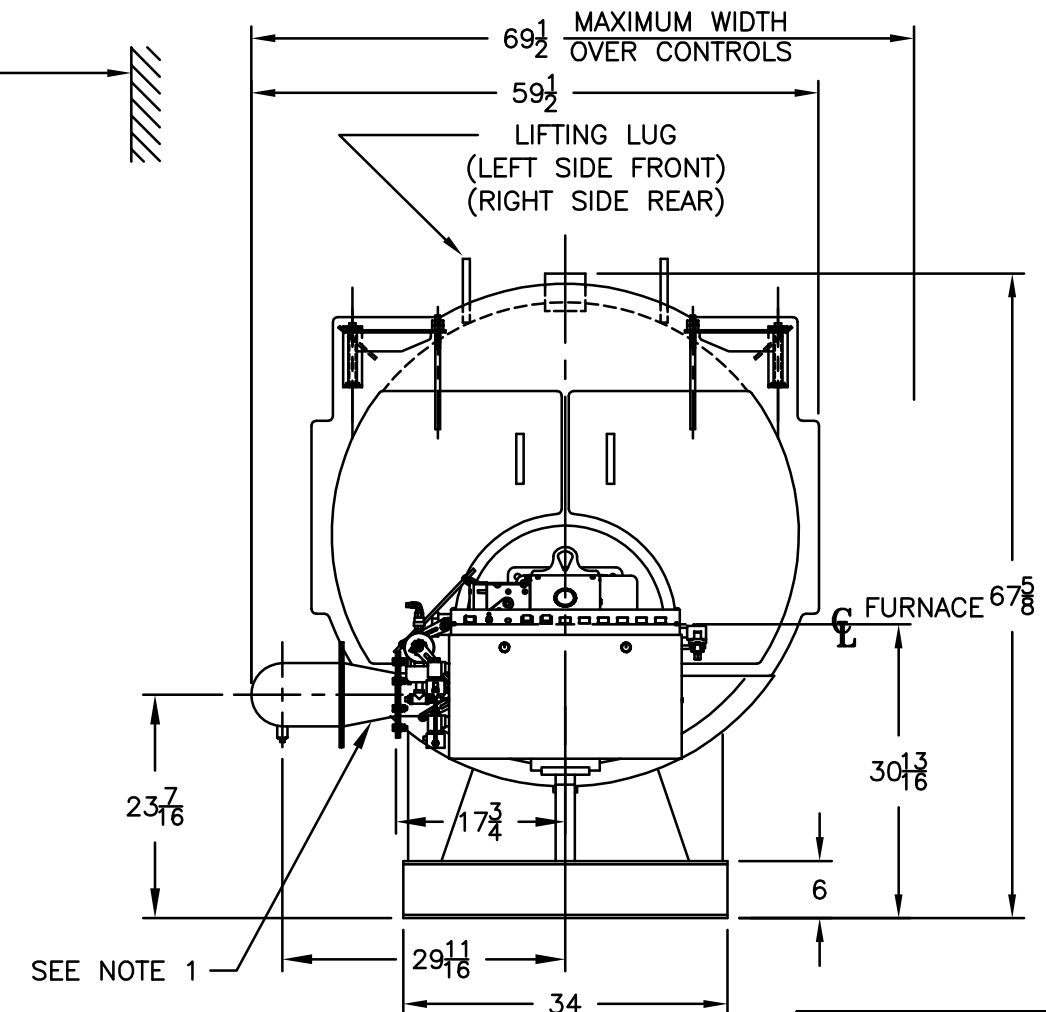
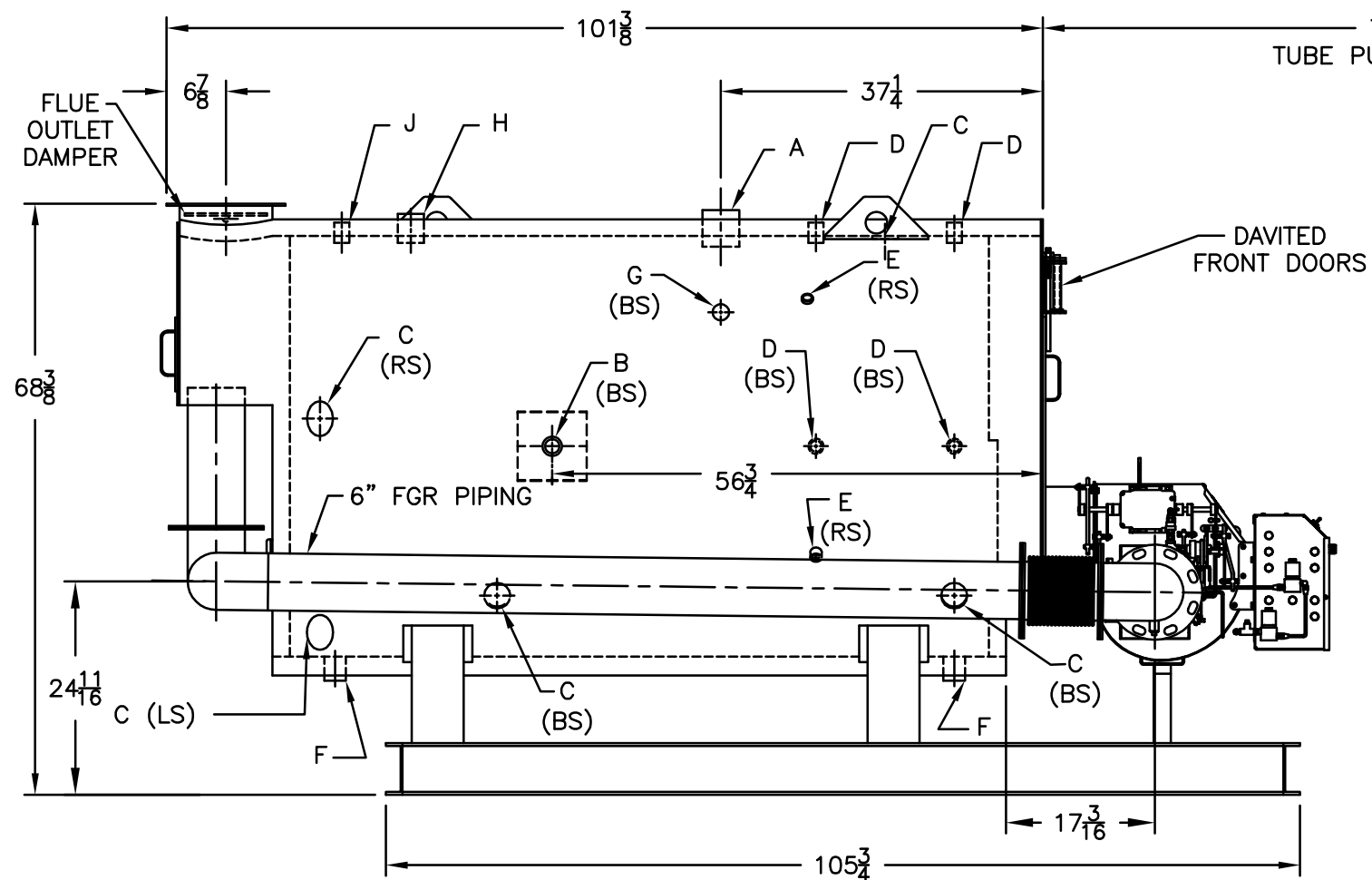
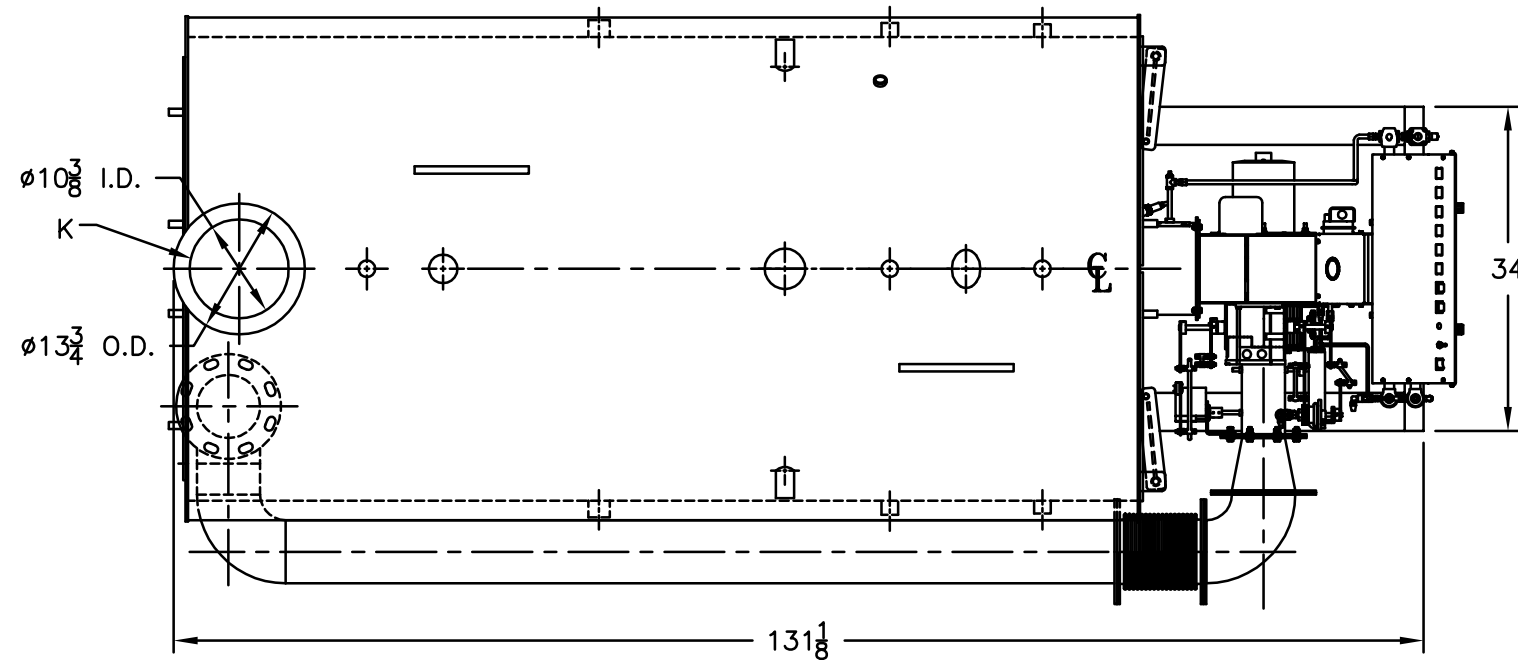
Water Content
 Pounds - 2948
 Gallons (U.S.) - 354
 Approximate Weight/LBS.
 Dry - 5305
 Wet - 8253

LEGEND

BS = BOTH SIDES
 RS = RIGHT SIDE
 LS = LEFT SIDE

LEGEND CONNECTIONS

- A = 3" SUPPLY
- B = 1-1/4" RETURN
- C = 3" x 4" HANDHOLE
- D = 1" WATER COLUMN
- E = 3/4" AQUASTAT
- F = 1-1/2" BOTTOM BLOWDOWN
- G = 1-1/2" SURFACE BLOWOFF
- H = 2" AUXILIARY CONNECTION
- J = 1" SAFETY VALVE
- K = 10" NOMINAL FLUE DIAMETER



NOTES:
 1. FGR REDUCING FITTING MAY BE REQUIRED BASED ON FGR INLET SIZE ON BURNER.

MODEL LN3P-60
60 BHP
POWERFLAME LNIC3
150 PSI STEAM