

# BURNHAM®

## Commercial Boilers

### RATINGS AND DATA

Shell Diameter : 102"  
 Gross Output - BHP : 700  
 Gross Output - MBH : 23433  
 Gross Output - Lbs/Hr : 24150  
 Net Rating - MBH : 18193  
 Net Rating - Sq. Ft. : 75804  
 Safety Valve - Lbs/Hr. : 27337

### LEGEND CONNECTIONS

- A = 8" FLANGED SUPPLY (300#)
- B = 2-1/2" RETURN
- C = 3" x 4" HANDHOLE
- D = 1" WATER COLUMN
- E = 3/4" AQUASTAT
- F = 2" BOTTOM BLOWDOWN
- G = 2" SURFACE BLOWOFF
- H = 2" AUXILIARY CONNECTIONS
- J = 2" SAFETY VALVE (3)
- K = 12" x 16" MANHOLE
- L = 28" NOMINAL FLUE DIAMETER

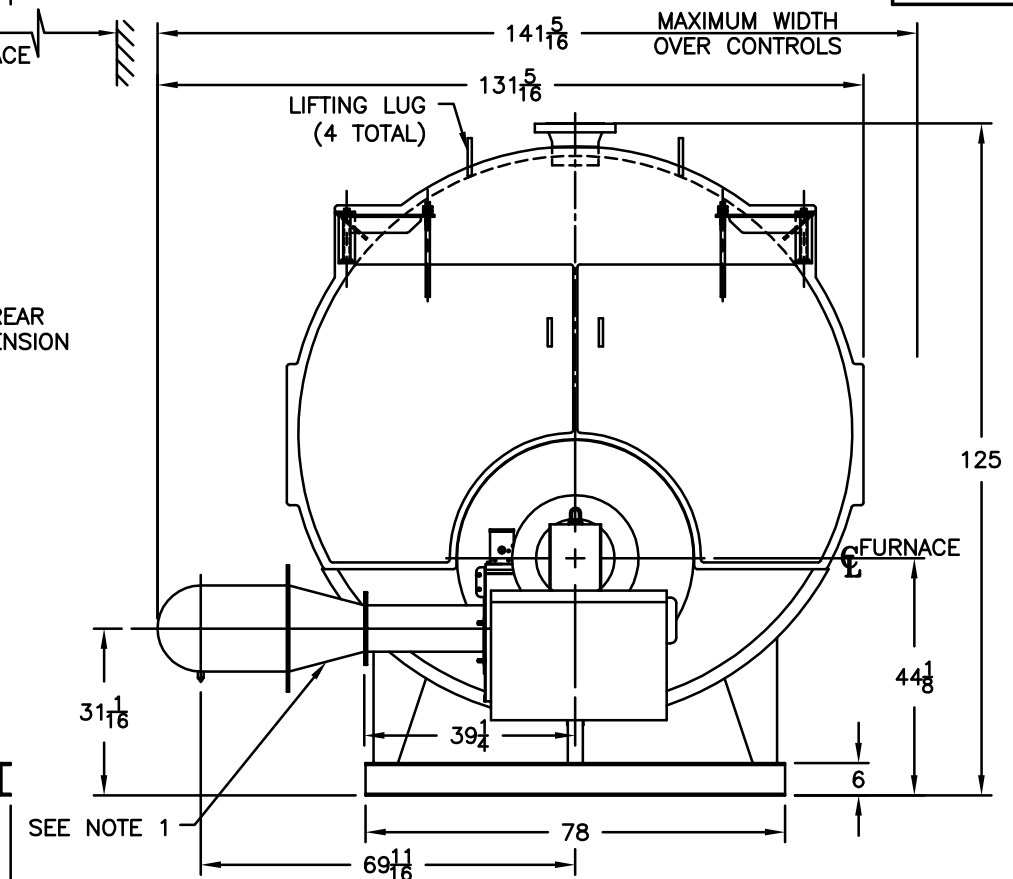
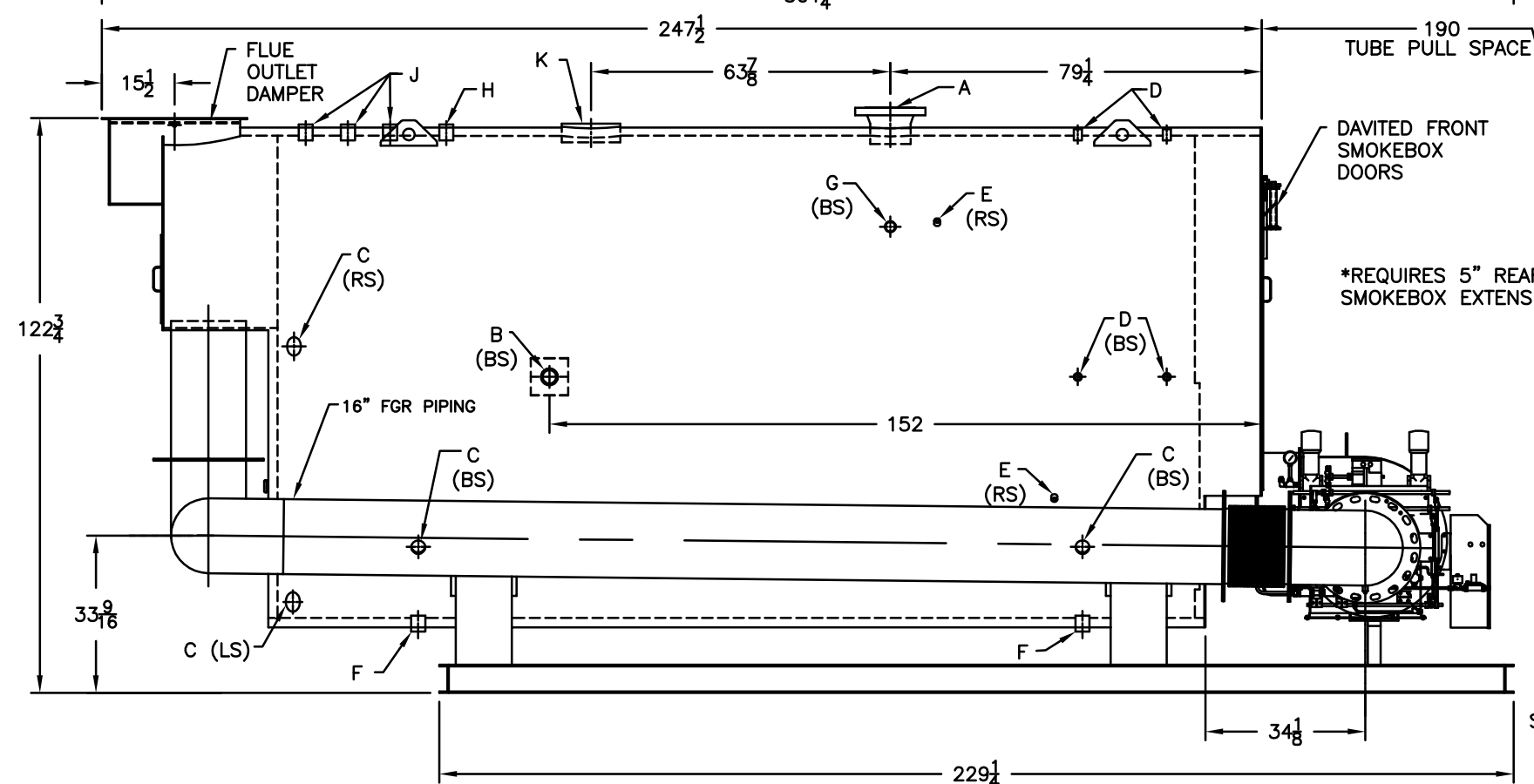
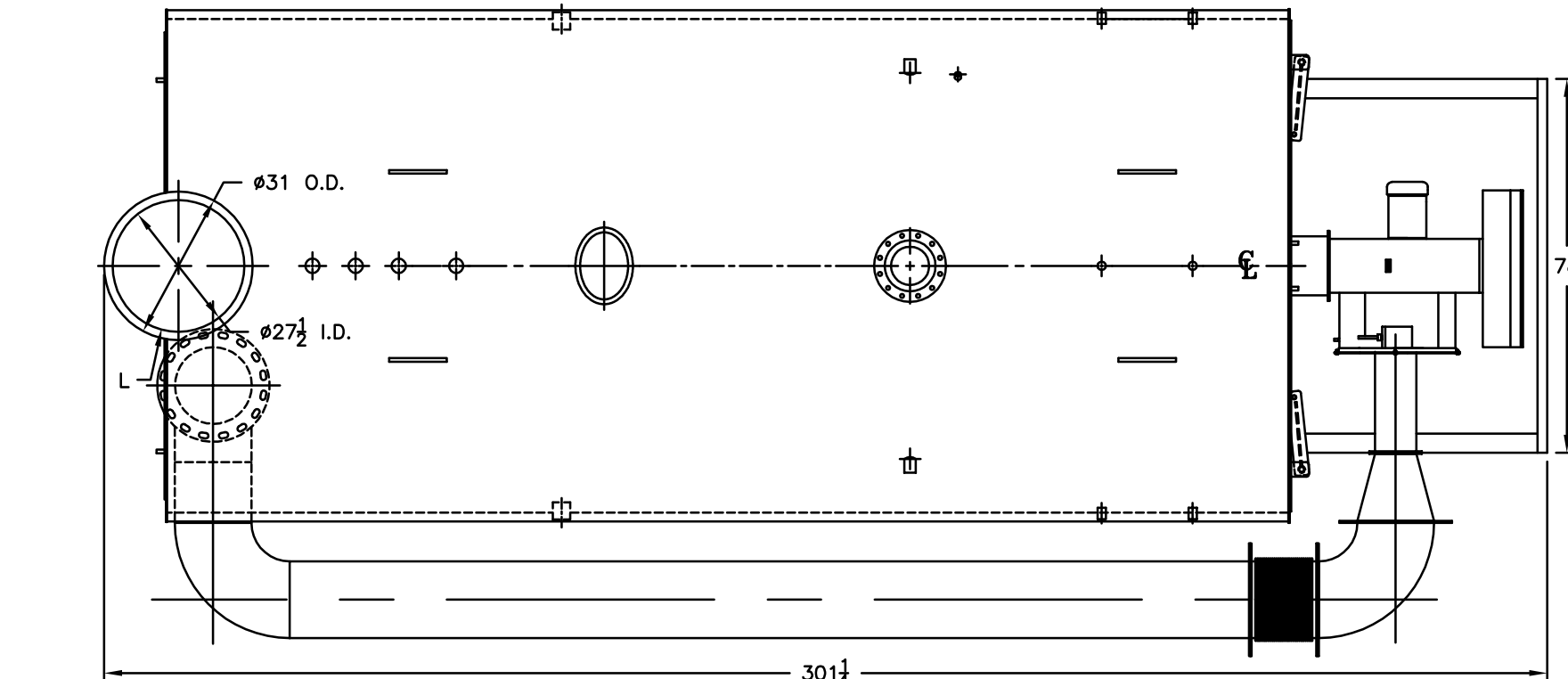
Heating Surface - Sq. Ft.  
 Fireside - 3500  
 Firetubes  
 Number - 362  
 Diameter - 2.5" O.D.

Firing Rate  
 1000 BTU Gas (MBH) - 29291  
 140000 BTU/Gal Oil (GPH) - 201.7  
 150000 BTU/Gal Oil (GPH) - 188.3

Water Content  
 Pounds - 27823  
 Gallons (U.S.) - 3340  
 Approximate Weight/LBS.  
 Dry - 39389  
 Wet - 67212

### LEGEND

BS = BOTH SIDES  
 RS = RIGHT SIDE  
 LS = LEFT SIDE



NOTES:  
 1. FGR REDUCING FITTING MAY BE REQUIRED BASED ON FGR INLET SIZE ON BURNER.

**MODEL LN3P-700**  
**700 BHP**  
**POWERFLAME LNICM10C**  
**150 PSI STEAM**