

LEGEND
 BS = BOTH SIDES
 RS = RIGHT SIDE
 LS = LEFT SIDE

BURNHAM®
Commercial Boilers

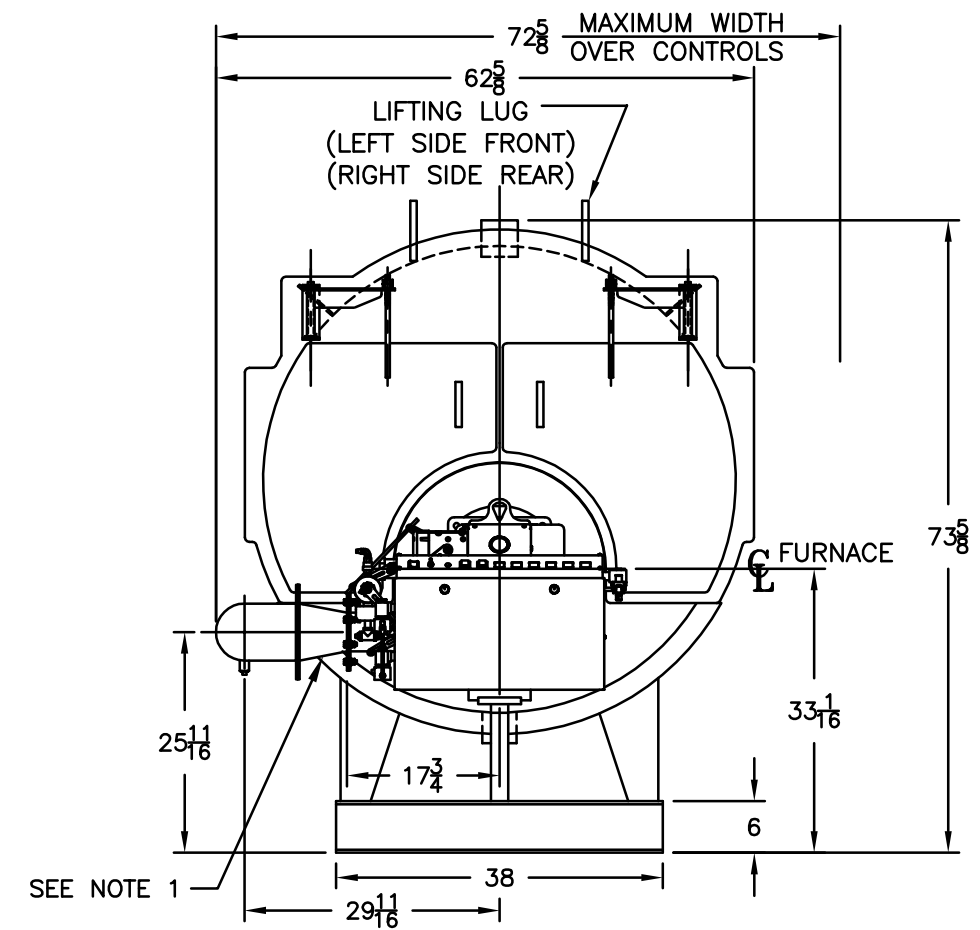
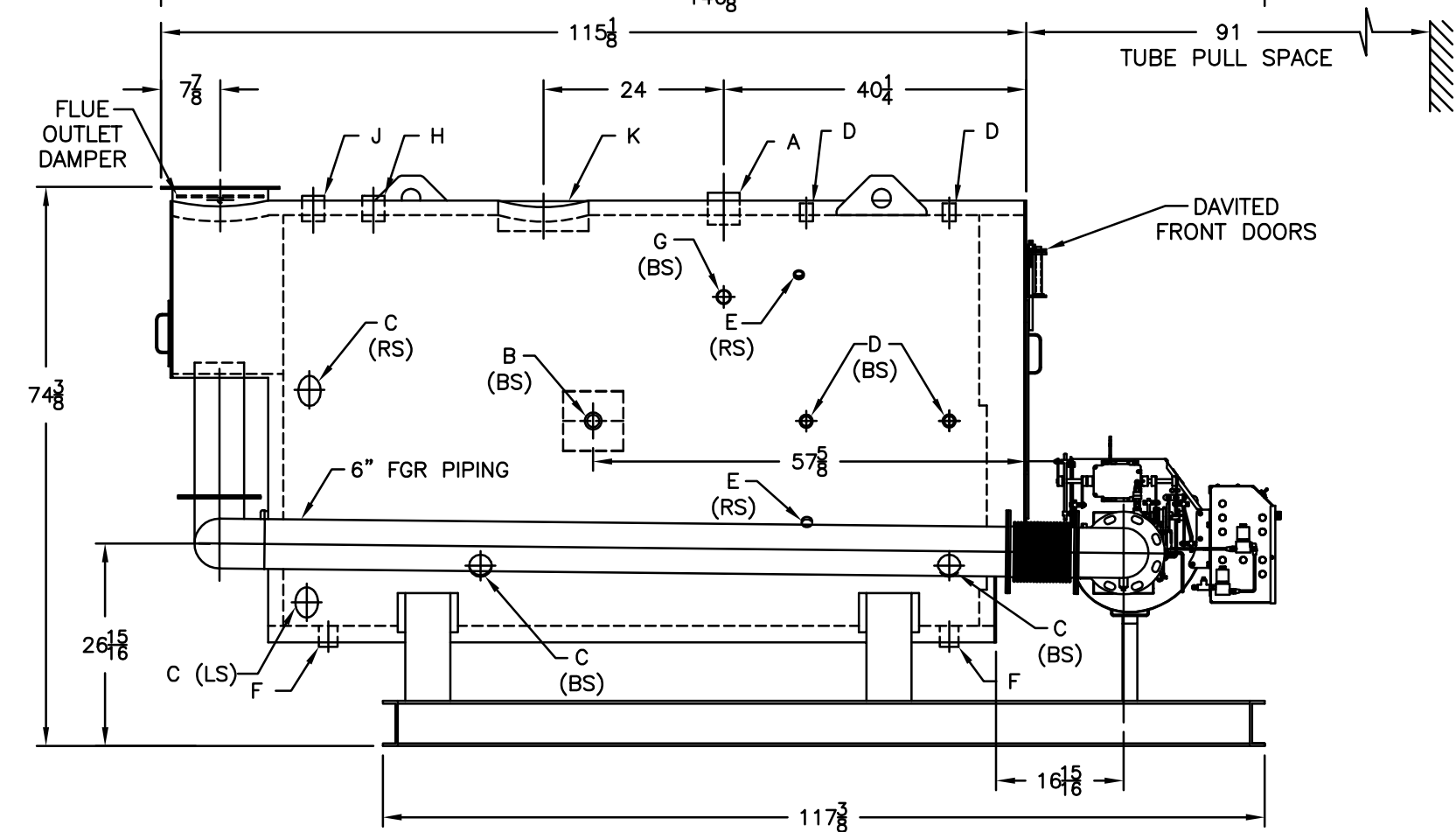
RATINGS AND DATA
 Shell Diameter : 54"
 Gross Output - BHP : 80
 Gross Output - MBH : 2678
 Gross Output - Lbs/Hr : 2760
 Net Rating - MBH : 2079
 Net Rating - Sq. Ft. : 8663
 Safety Valve - Lbs/Hr. : 3124

LEGEND CONNECTIONS
 A = 3" SUPPLY
 B = 1-1/4" RETURN
 C = 3" x 4" HANDHOLE
 D = 1" WATER COLUMN
 E = 3/4" AQUASTAT
 F = 1-1/2" BOTTOM BLOWDOWN
 G = 1-1/2" SURFACE BLOWOFF
 H = 2" AUXILIARY CONNECTION
 J = 2" SAFETY VALVE
 K = 12" X 16" MANHOLE
 L = 12" NOMINAL FLUE DIAMETER

Heating Surface - Sq. Ft.
 Fireside - 400
 Firetubes
 Number - 106
 Diameter - 2" O.D.

Firing Rate
 1000 BTU Gas (MBH) - 3348
 140000 BTU/Gal Oil (GPH) - 23.0
 150000 BTU/Gal Oil (GPH) - 21.5

Water Content
 Pounds - 4130
 Gallons (U.S.) - 496
 Approximate Weight/LBS.
 Dry - 6860
 Wet - 10991



NOTES:
 1. FGR REDUCING FITTING MAY BE REQUIRED BASED ON FGR INLET SIZE ON BURNER.

MODEL LN3P-80
80 BHP
POWERFLAME LNIC3
150 PSI STEAM