

BURNHAM®

Commercial Boilers

RATINGS AND DATA

Shell Diameter : 108"
 Gross Output - BHP : 800
 Gross Output - MBH : 26780
 Gross Output - Lbs/Hr : 27600
 Net Rating - MBH : 20792
 Net Rating - Sq. Ft. : 86633
 Safety Valve - Lbs/Hr. : 31242

LEGEND CONNECTIONS

- A = 10" FLANGED SUPPLY (300#)
- B = 2-1/2" RETURN
- C = 3" x 4" HANDHOLE
- D = 1" WATER COLUMN
- E = 3/4" AQUASTAT
- F = 2" BOTTOM BLOWDOWN
- G = 2" SURFACE BLOWOFF
- H = 2" AUXILIARY CONNECTION
- J = 3" SAFETY VALVE (2)
 2-1/2" SAFETY VALVE (2)
- K = 12" x 16" MANHOLE
- L = 34" NOMINAL FLUE DIAMETER

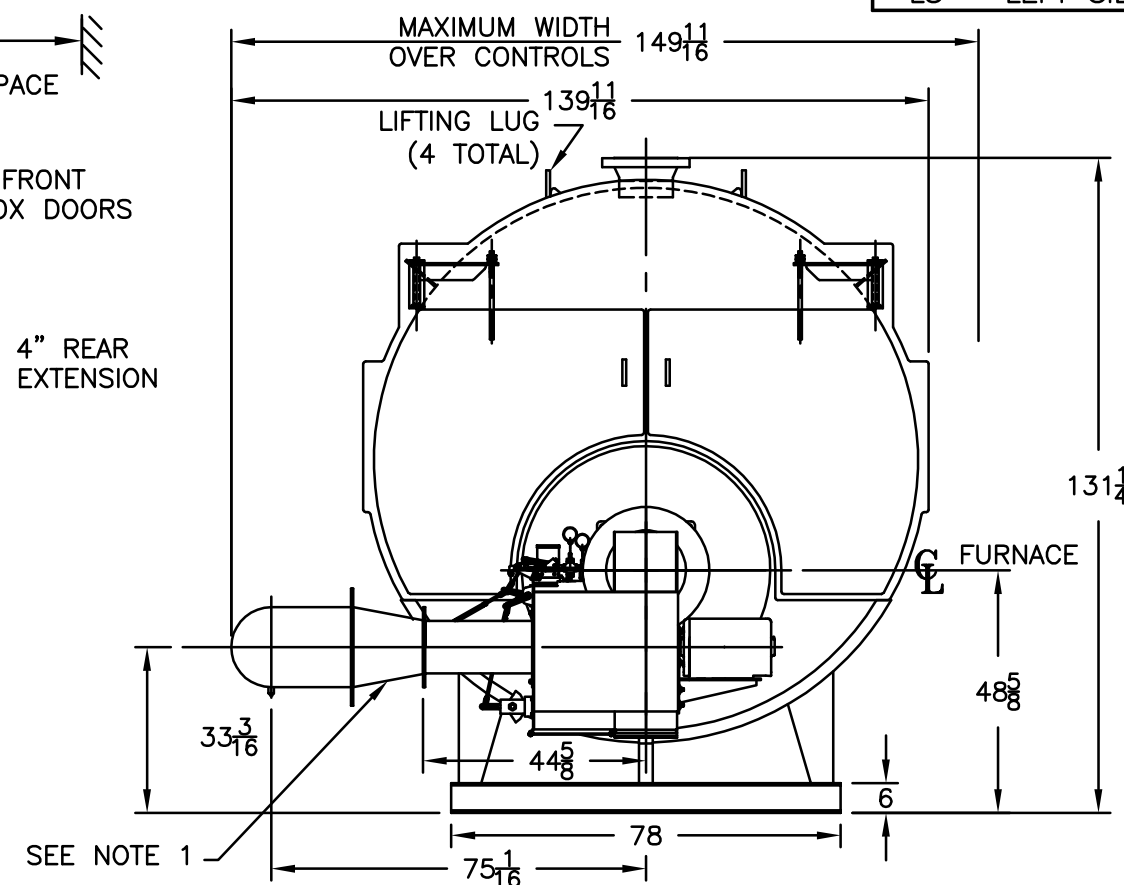
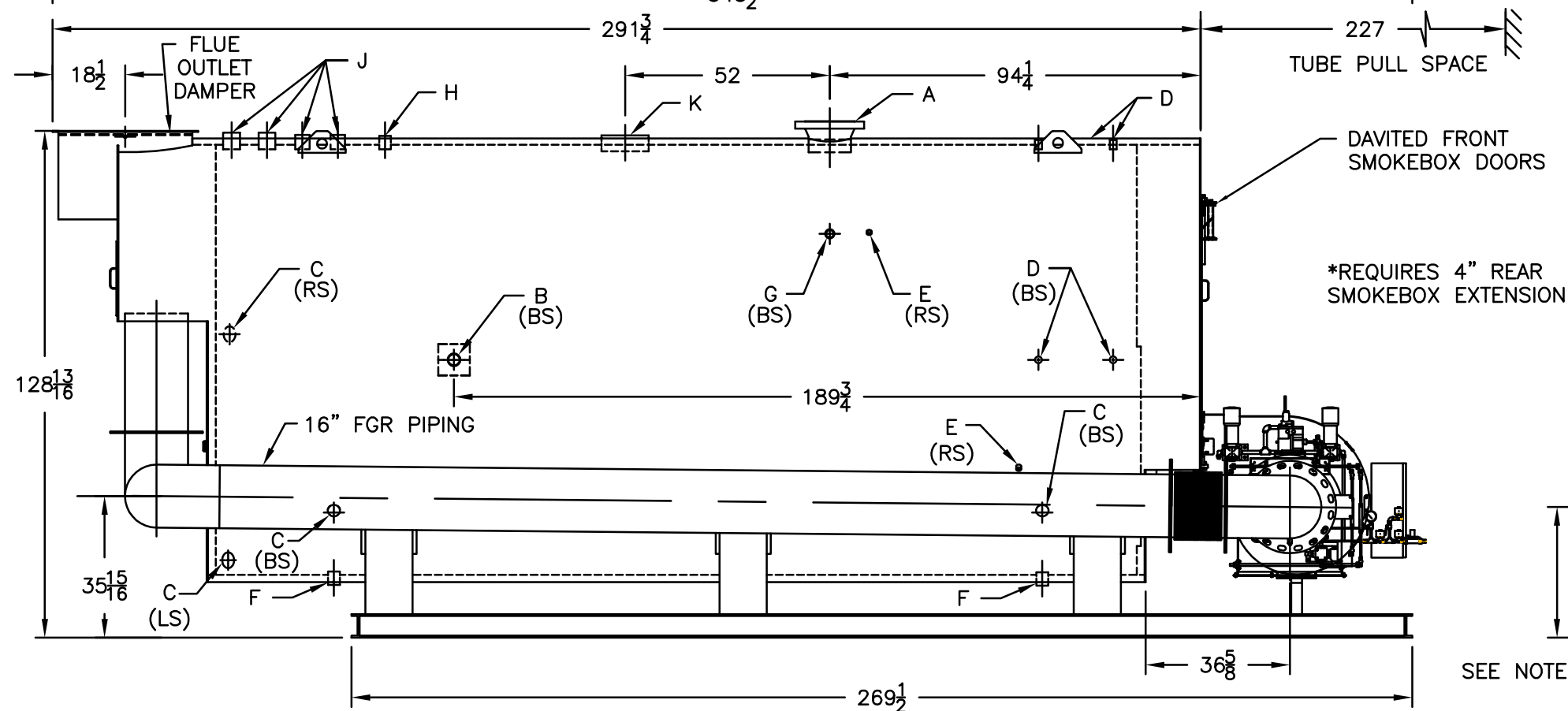
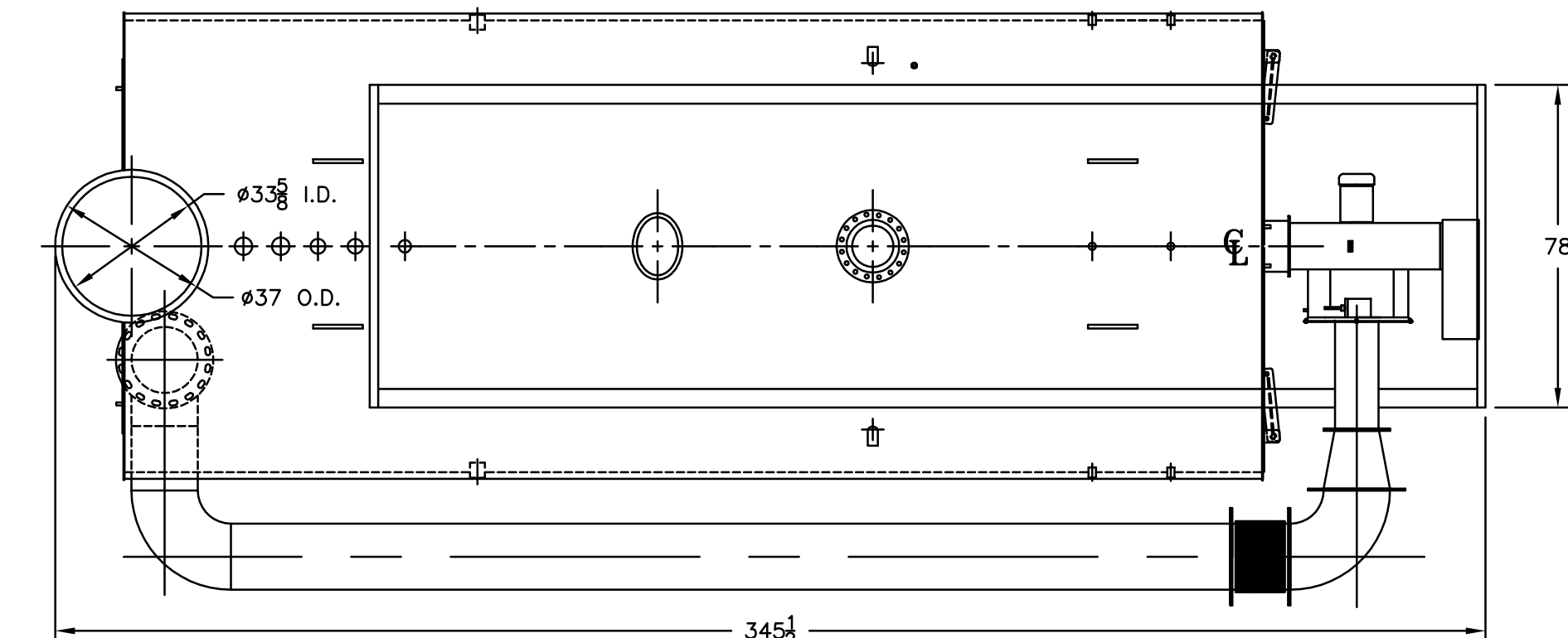
Heating Surface - Sq. Ft.
 Fireside - 4000
 Firetubes
 Number - 338
 Diameter - 2.5" O.D.

Firing Rate
 1000 BTU Gas (MBH) - 33475
 140000 BTU/Gal Oil (GPH) - 239.1
 150000 BTU/Gal Oil (GPH) - 223.2

Water Content
 Pounds - 34838
 Gallons (U.S.) - 4182
 Approximate Weight/LBS.
 Dry - 52154
 Wet - 86993

LEGEND

BS = BOTH SIDES
 RS = RIGHT SIDE
 LS = LEFT SIDE



NOTES:
 1. FGR REDUCING FITTING MAY BE REQUIRED BASED ON FGR INLET SIZE ON BURNER.

MODEL LN3P-800
800 BHP
POWERFLAME LN1CM11
150 PSI STEAM