

BURNHAM®

Commercial Boilers

RATINGS AND DATA

Shell Diameter : 114"
 Gross Output - BHP : 900
 Gross Output - MBH : 30128
 Gross Output - Lbs/Hr : 31050
 Net Rating - MBH : 23391
 Net Rating - Sq. Ft. : 97462
 Safety Valve - Lbs/Hr. : 35147

LEGEND CONNECTIONS

- A = 12" FLANGED SUPPLY (300#)
- B = 2-1/2" RETURN
- C = 3" x 4" HANDHOLE
- D = 1" WATER COLUMN
- E = 3/4" AQUASTAT
- F = 2" BOTTOM BLOWDOWN
- G = 2" SURFACE BLOWOFF
- H = 2" AUXILIARY CONNECTION
- J = 3" SAFETY VALVE (4)
- K = 12" x 16" MANHOLE
- L = 36" NOMINAL FLUE DIAMETER

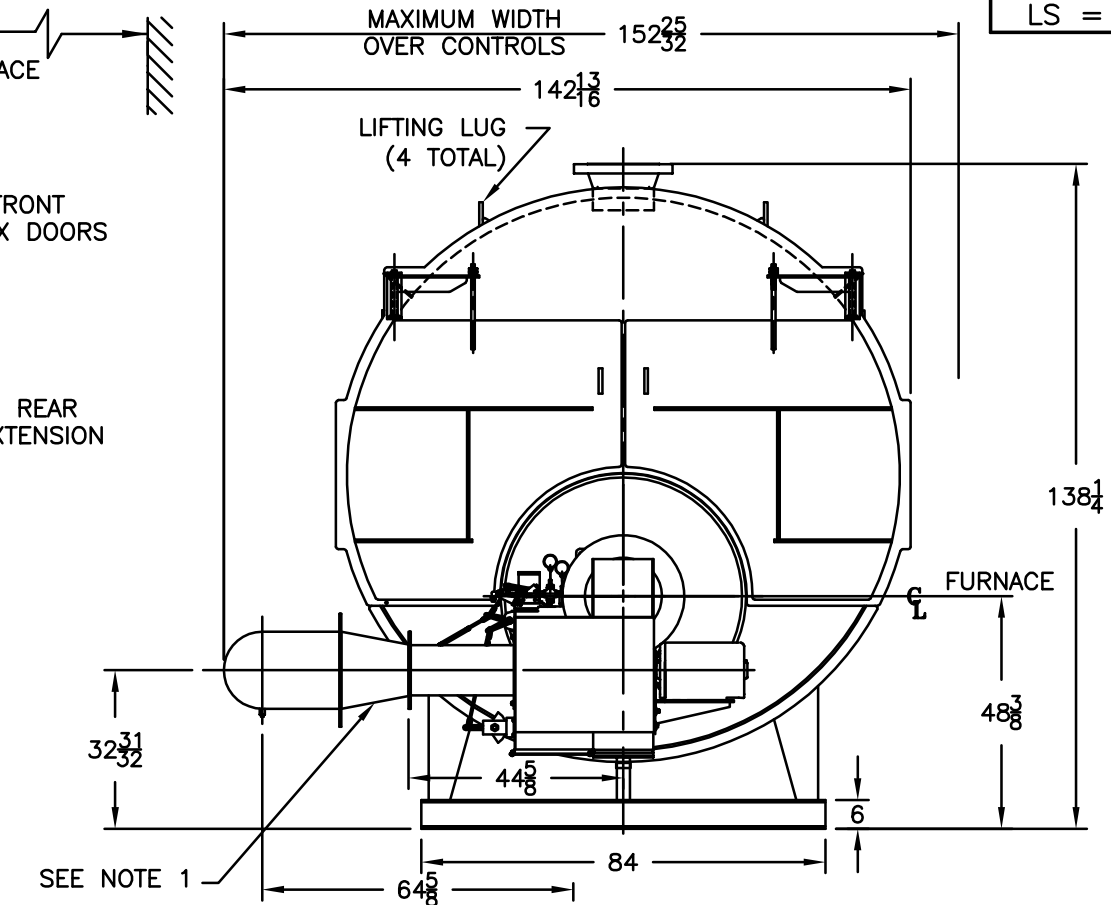
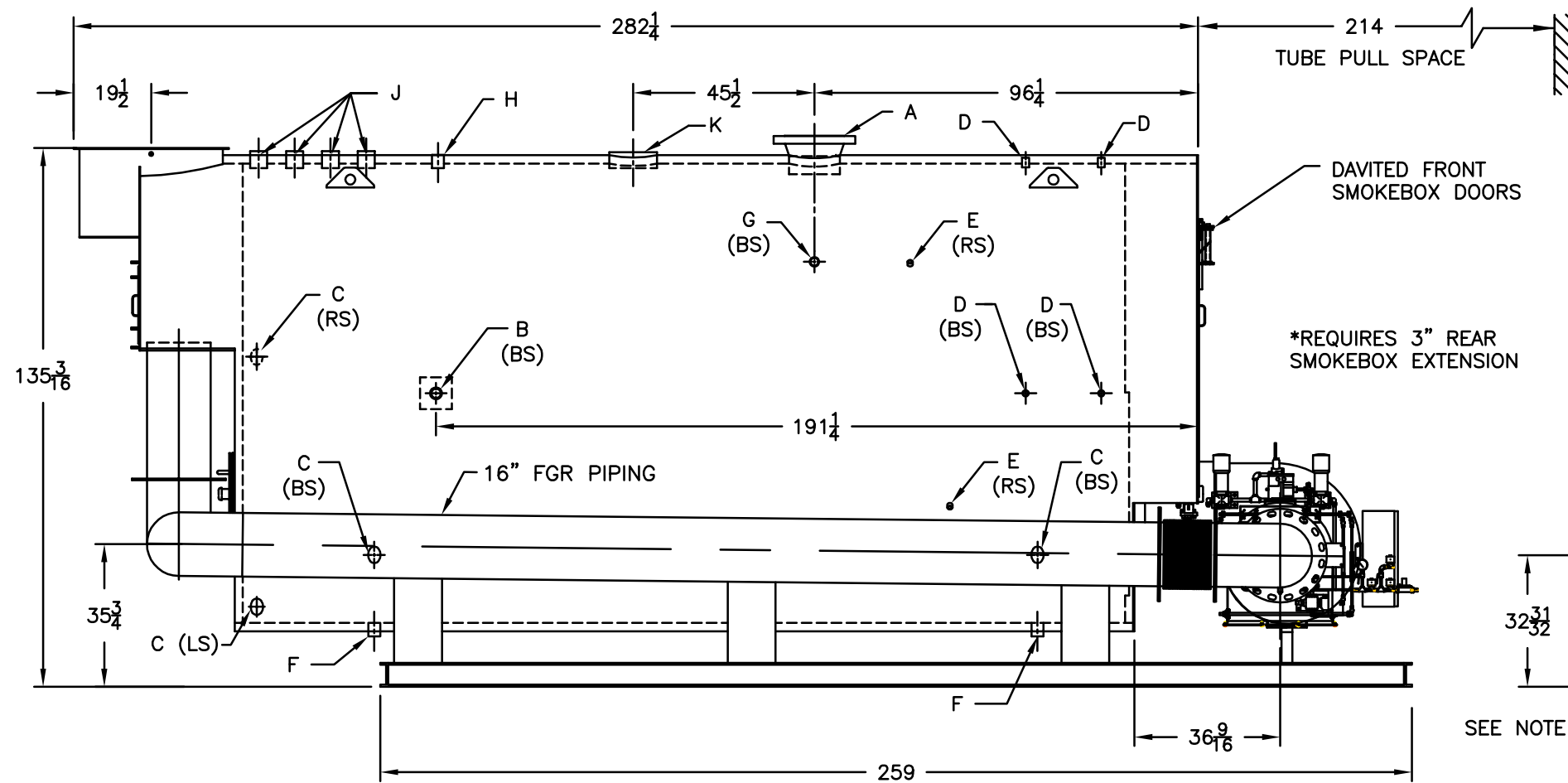
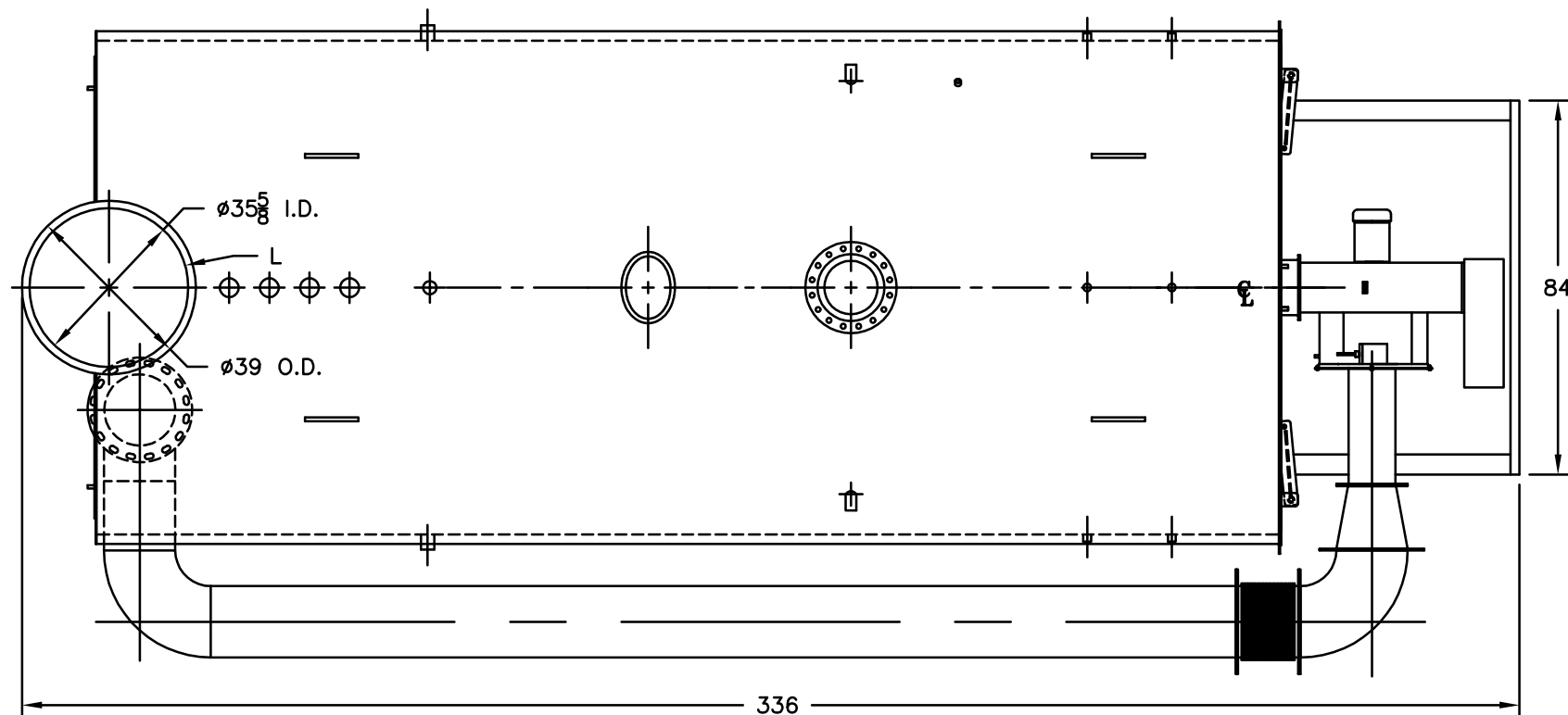
Heating Surface - Sq. Ft.
 Fireside - 4500
 Firetubes
 Number - 410
 Diameter - 2.5" O.D.

Firing Rate
 1000 BTU Gas (MBH) - 37659
 140000 BTU/Gal Oil (GPH) - 269.0
 150000 BTU/Gal Oil (GPH) - 251.1

Water Content
 Pounds - 36410
 Gallons (U.S.) - 4371
 Approximate Weight/LBS.
 Dry - 54713
 Wet - 91123

LEGEND

BS = BOTH SIDES
 RS = RIGHT SIDE
 LS = LEFT SIDE



NOTES:
 1. FGR REDUCING FITTING MAY BE REQUIRED BASED ON FGR INLET SIZE ON BURNER.

MODEL LN3P-900
900 BHP
POWERFLAME LN1CM11
150 PSI STEAM