

BURNHAM®

Commercial Boilers

RATINGS AND DATA

Shell Diameter : 62"
 Gross Output - BHP : 125
 Gross Output - MBH : 4184
 Gross Output - Lbs/Hr : 4312
 Net Rating - MBH : 3248
 Net Rating - Sq. Ft. : 13950
 Safety Valve - Lbs/Hr. : 4882

LEGEND CONNECTIONS

- A = 4" FLANGED SUPPLY (300#)
- B = 1-1/4" RETURN
- C = 3" x 4" HANDHOLE
- D = 1" WATER COLUMN
- E = 3/4" AQUASTAT
- F = 1-1/2" BOTTOM BLOWDOWN
- G = 1-1/2" SURFACE BLOWOFF
- H = 2" AUXILIARY CONNECTION
- J = 1" SAFETY VALVE
1-1/4" SAFETY VALVE
- K = 12" X 16" MANHOLE
- L = 12" NOMINAL FLUE DIAMETER

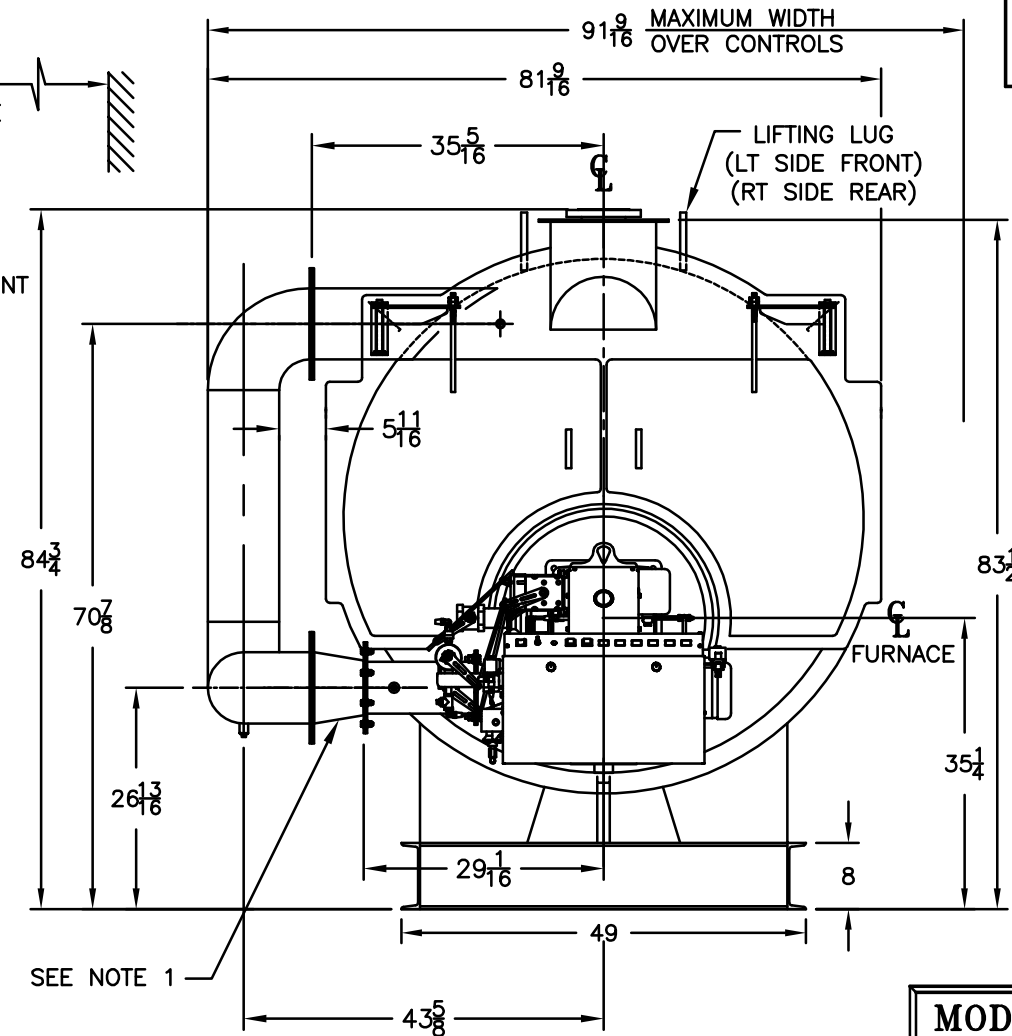
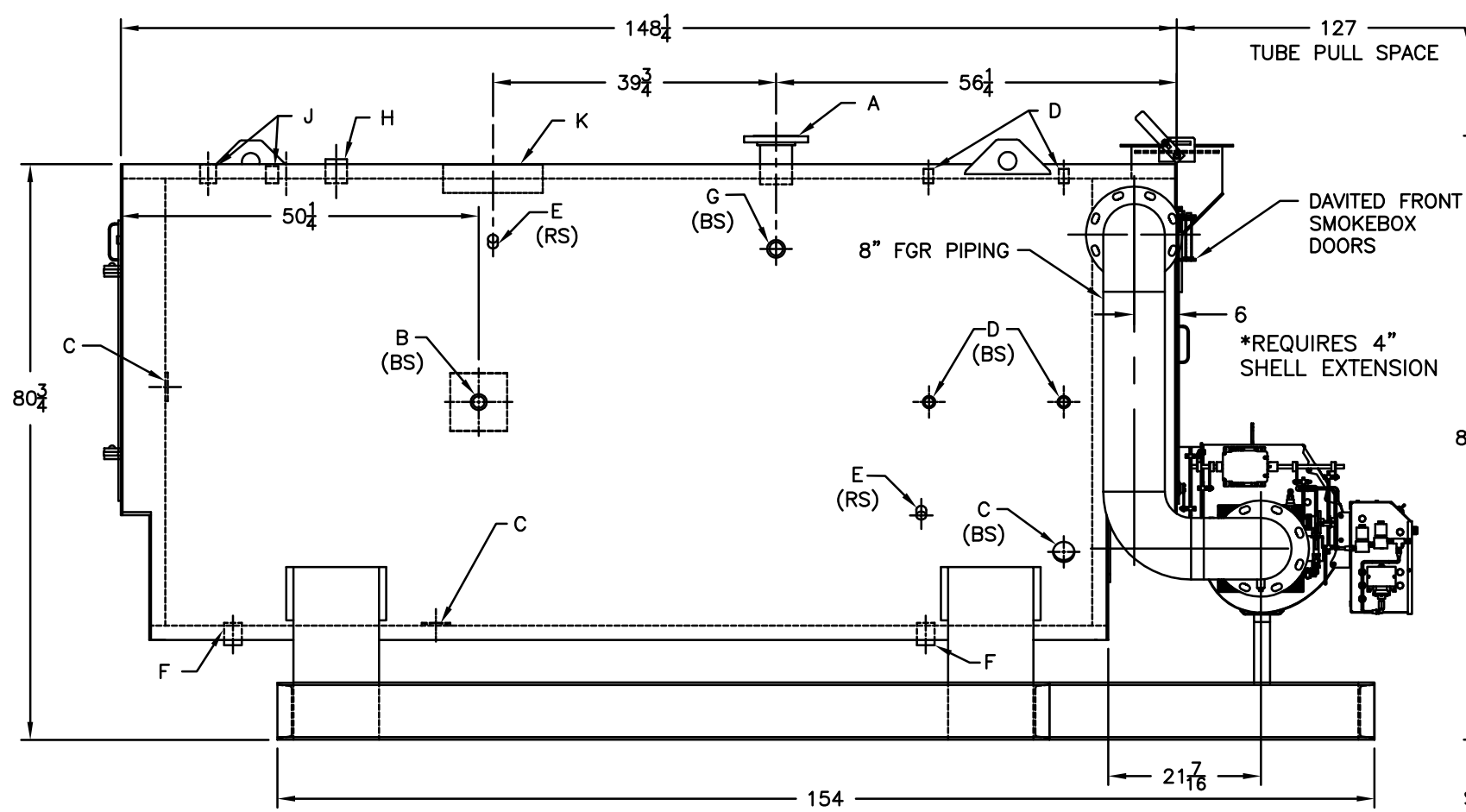
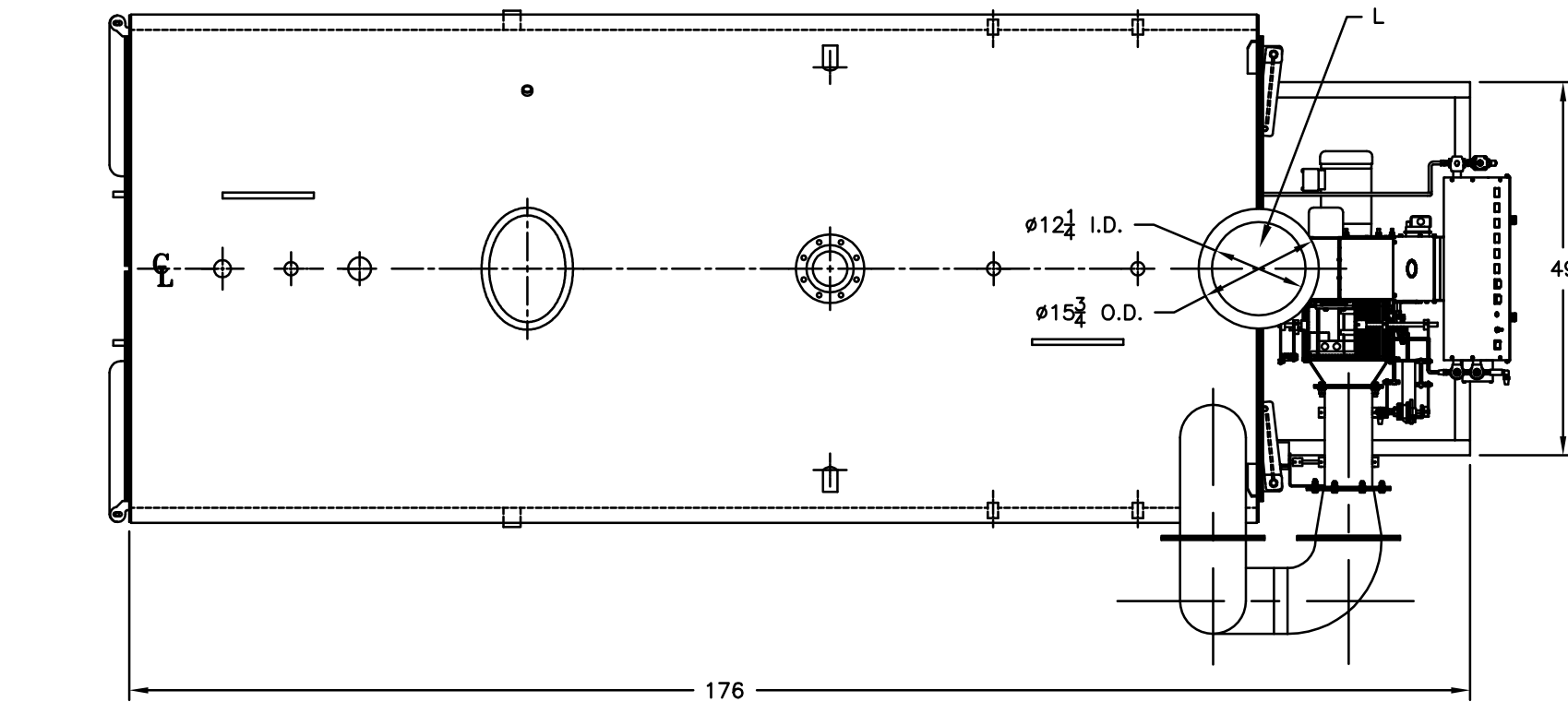
Heating Surface - Sq. Ft.
 Fireside - 625
 Firetubes
 Number - 86
 Diameter - 2.5" O.D.

Firing Rate
 1000 BTU Gas (MBH) - 5230
 140000 BTU/Gal Oil (GPH) - 36.2
 150000 BTU/Gal Oil (GPH) - 33.8

Water Content
 Pounds - 78208
 Gallons (U.S.) - 984
 Approximate Weight/LBS.
 Dry - 10793
 Wet - 19002

LEGEND

BS = BOTH SIDES
 RS = RIGHT SIDE



NOTES:
 1. FGR REDUCING FITTING MAY BE REQUIRED BASED ON FGR INLET SIZE ON BURNER.

MODEL LN4SP-125
125 BHP
POWERFLAME LNIC4
150 PSI STEAM