

BURNHAM®

Commercial Boilers

RATINGS AND DATA

Shell Diameter : 70"
 Gross Output - BHP : 150
 Gross Output - MBH : 5021
 Gross Output - Lbs/Hr : 5175
 Net Rating - MBH : 4018
 Net Rating - Sq. Ft. : 16742
 Safety Valve - Lbs/Hr. : 5858

LEGEND CONNECTIONS

- A = 4" FLANGED SUPPLY (300#)
- B = 1-1/2" RETURN
- C = 3" x 4" HANDHOLE
- D = 1" WATER COLUMN
- E = 3/4" AQUASTAT
- F = 2" BOTTOM BLOWDOWN
- G = 2" SURFACE BLOWOFF
- H = 2" AUXILIARY CONNECTION
- J = 1-1/2" SAFETY VALVE
1-1/4" SAFETY VALVE
- K = 12" X 16" MANHOLE
- L = 16" NOMINAL FLUE DIAMETER

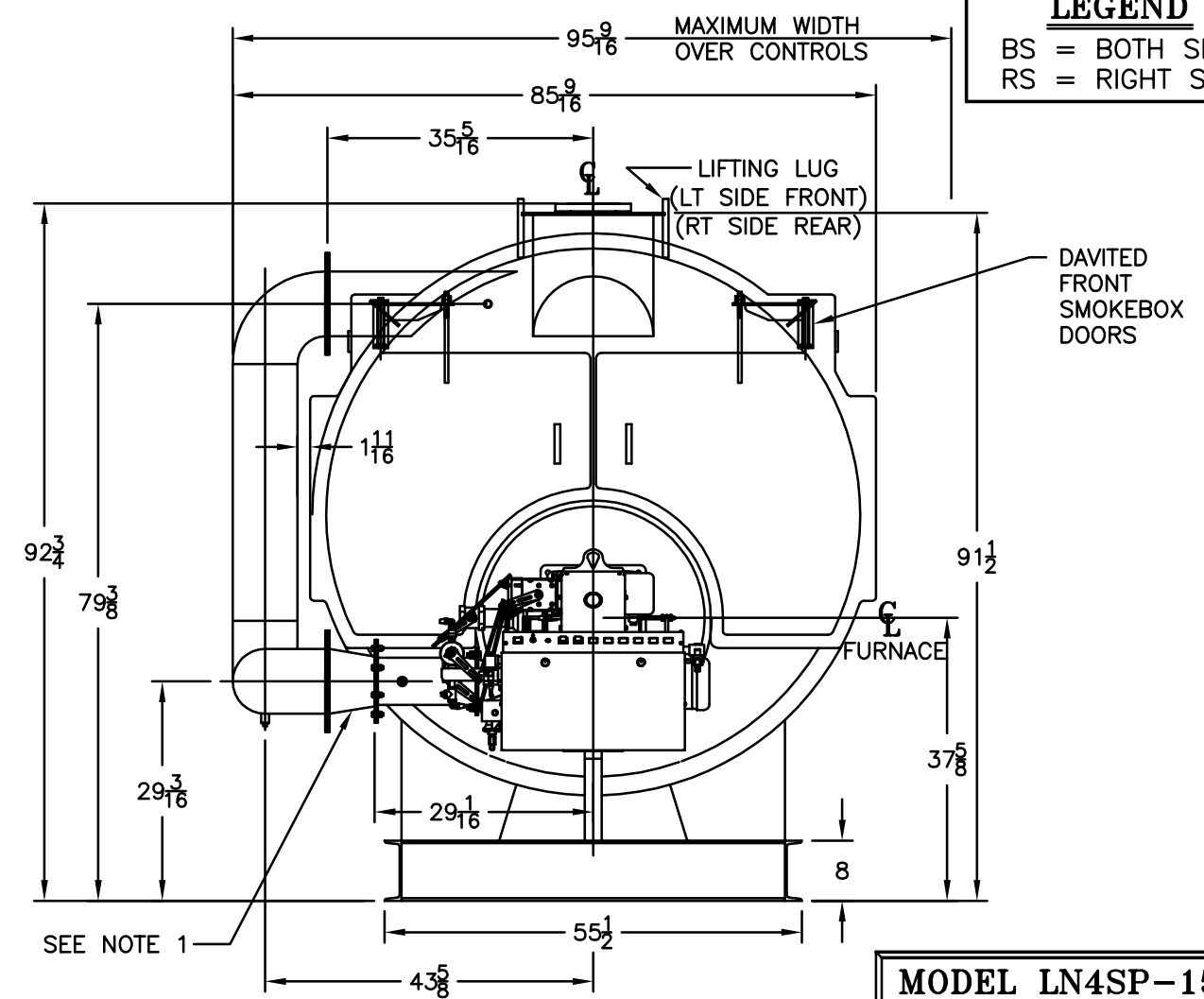
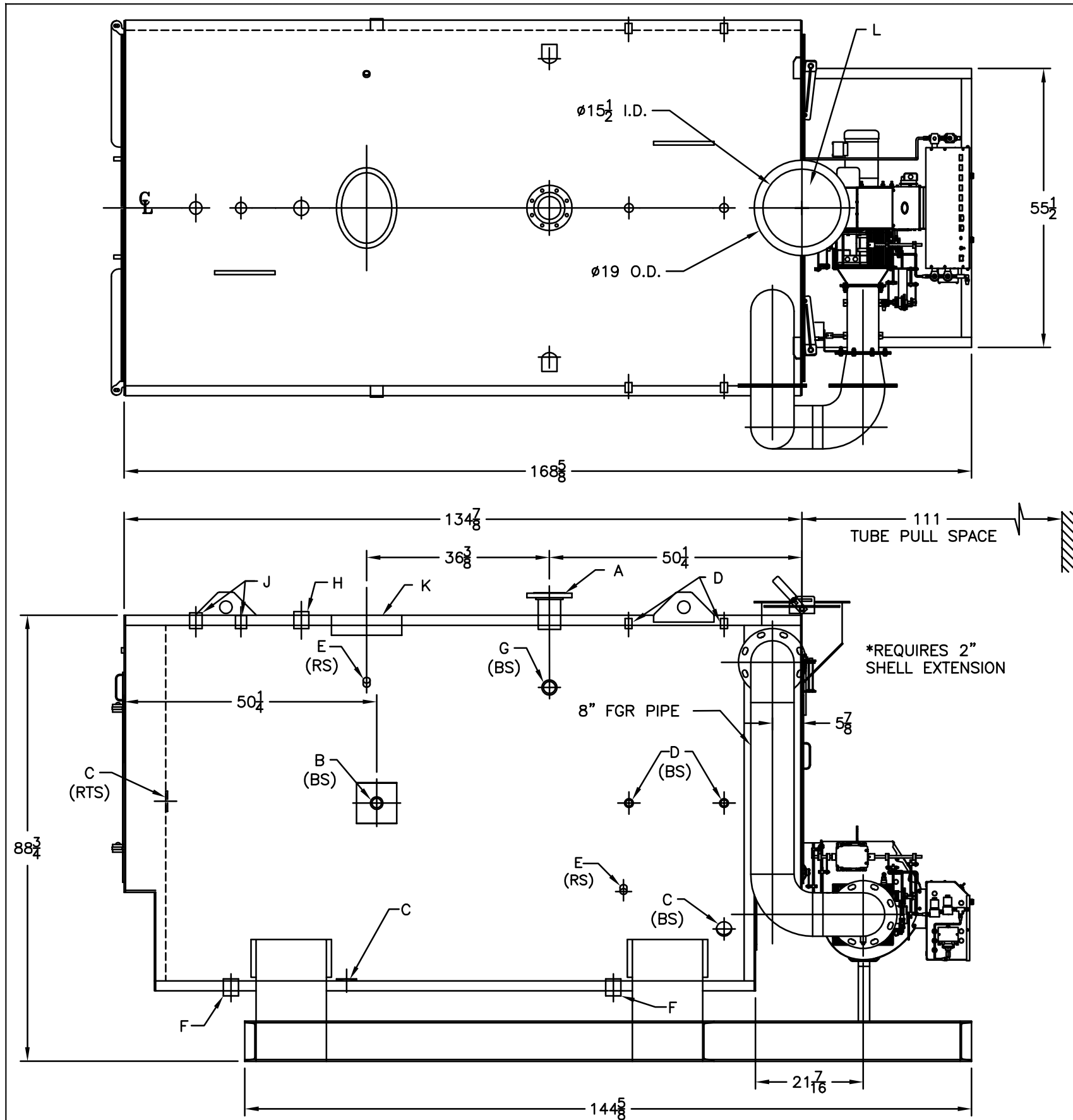
Heating Surface - Sq. Ft.
 Fireside - 750
 Firetubes
 Number - 120
 Diameter - 2.5" O.D.

Firing Rate
 1000 BTU Gas (MBH) - 6277
 140000 BTU/Gal Oil (GPH) - 43.3
 150000 BTU/Gal Oil (GPH) - 40.4

Water Content
 Pounds - 8406
 Gallons (U.S.) - 1008
 Approximate Weight/LBS.
 Dry - 12366
 Wet - 20772

LEGEND

BS = BOTH SIDES
 RS = RIGHT SIDE



NOTES:
 1. FGR REDUCING FITTING MAY BE REQUIRED BASED ON FGR INLET SIZE ON BURNER.

MODEL LN4SP-150
150 BHP
POWERFLAME LNIC5
150 PSI STEAM

SPECIFICATIONS SUBJECT TO CHANGE WITHOUT NOTICE ALL CONNECTIONS ARE THREADED UNLESS OTHERWISE SPECIFIED