

BURNHAM®

Commercial Boilers

RATINGS AND DATA

Shell Diameter : 70"
 Gross Output - BHP : 175
 Gross Output - MBH : 5858
 Gross Output - Lbs/Hr : 6037
 Net Rating - MBH : 4687
 Net Rating - Sq. Ft. : 19529
 Safety Valve - Lbs/Hr. : 6835

LEGEND CONNECTIONS

- A = 6" FLANGED SUPPLY (300#)
- B = 1-1/2" RETURN
- C = 3" x 4" HANDHOLE
- D = 1" WATER COLUMN
- E = 3/4" AQUASTAT
- F = 2" BOTTOM BLOWDOWN
- G = 2" SURFACE BLOWOFF
- H = 2" AUXILIARY CONNECTION
- J = 1-1/2" SAFETY VALVE
1-1/4" SAFETY VALVE
- K = 12" X 16" MANHOLE
- L = 16" NOMINAL FLUE DIAMETER

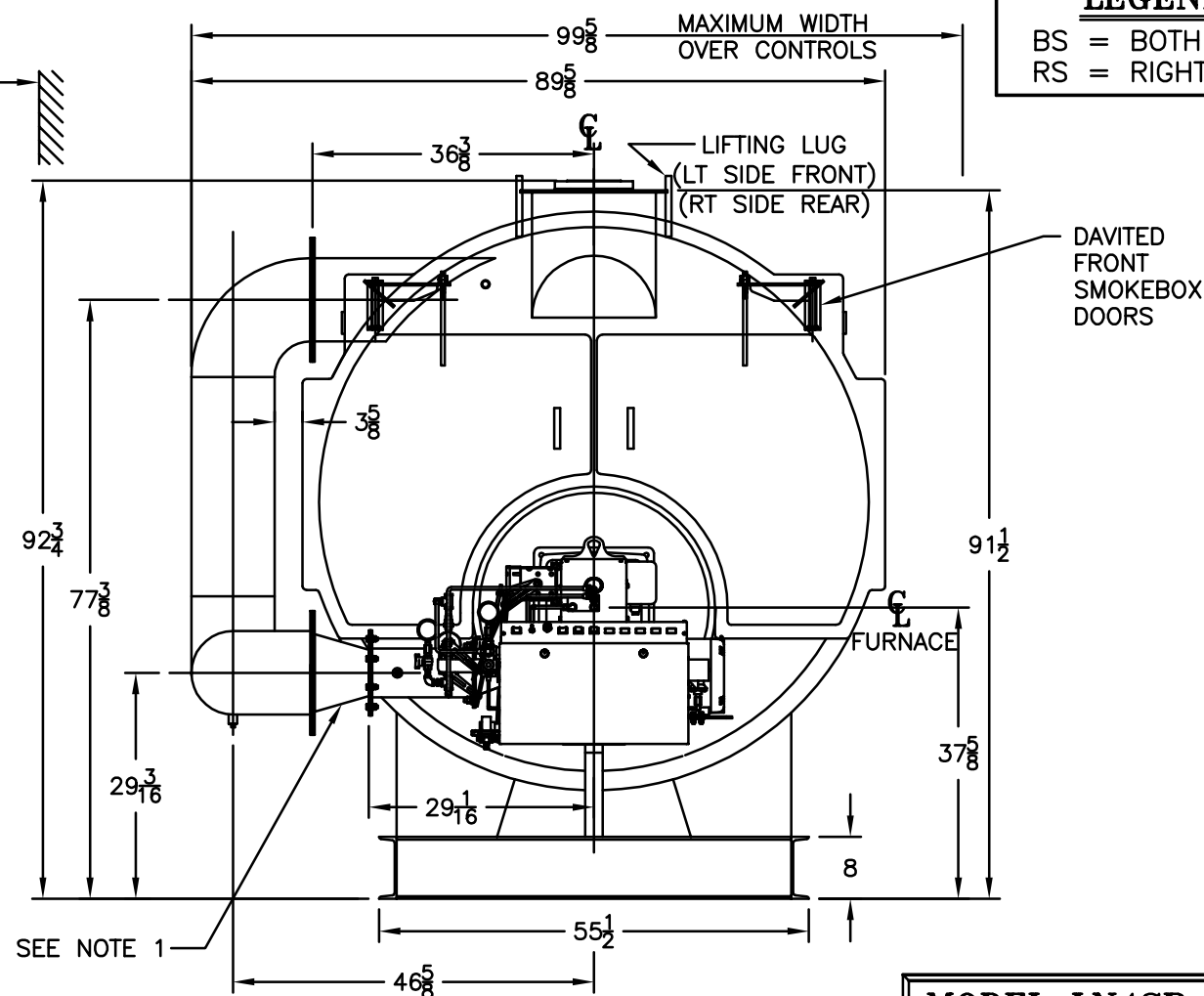
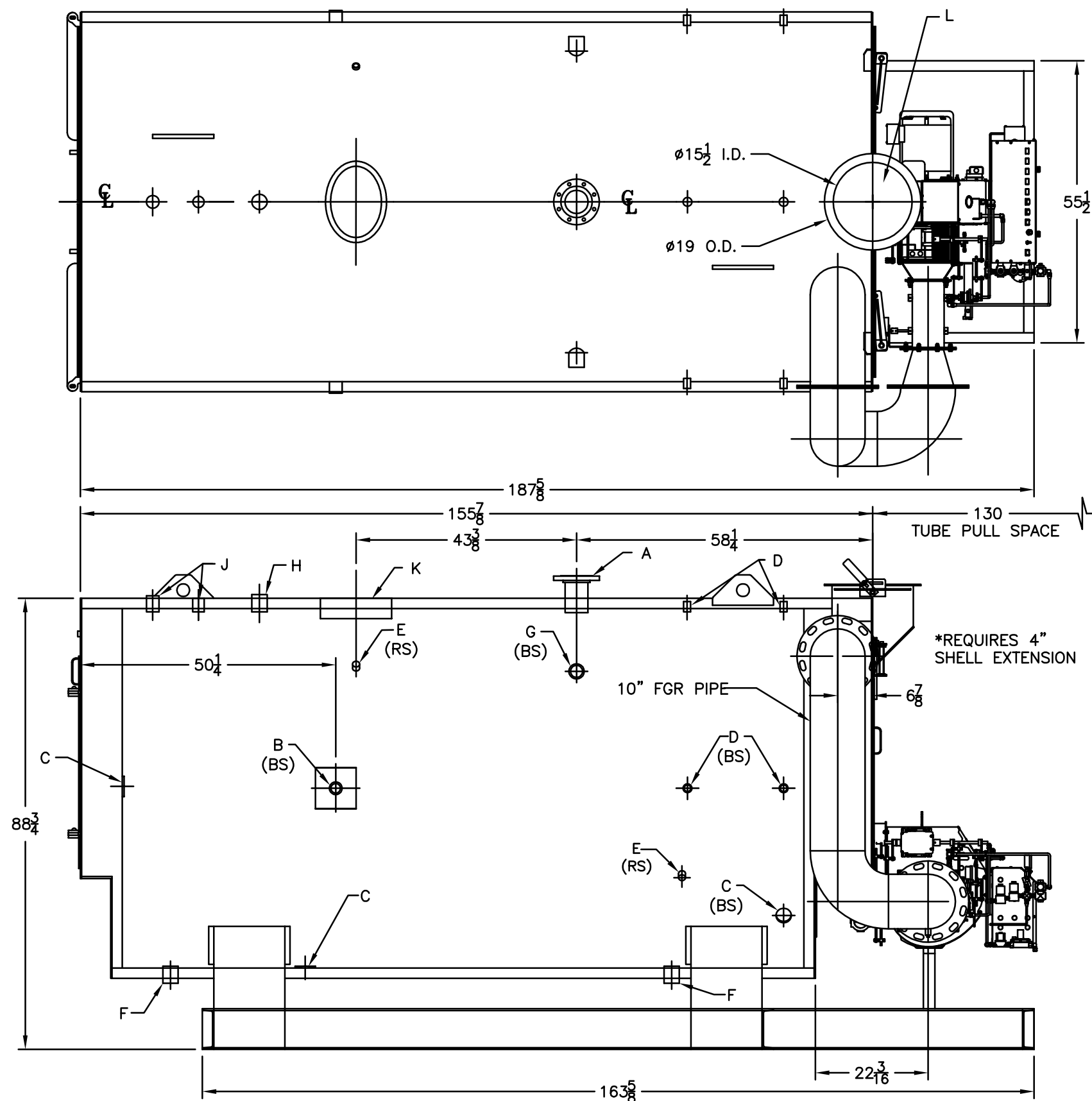
Heating Surface - Sq. Ft.
 Fireside - 875
 Firetubes
 Number - 120
 Diameter - 2.5" O.D.

Firing Rate
 1000 BTU Gas (MBH) - 7323
 140000 BTU/Gal Oil (GPH) - 50.6
 150000 BTU/Gal Oil (GPH) - 47.2

Water Content
 Pounds - 9895
 Gallons (U.S.) - 1186
 Approximate Weight/LBS.
 Dry - 13684
 Wet - 23579

LEGEND

BS = BOTH SIDES
 RS = RIGHT SIDE



NOTES:
 1. FGR REDUCING FITTING MAY BE REQUIRED BASED ON FGR INLET SIZE ON BURNER.

MODEL LN4SP-175
175 BHP
POWERFLAME LNIC6
150 PSI STEAM

SPECIFICATIONS SUBJECT TO CHANGE WITHOUT NOTICE ALL CONNECTIONS ARE THREADED UNLESS OTHERWISE SPECIFIED

THIS DOCUMENT CONTAINS CONFIDENTIAL INFORMATION WHICH IS THE PROPERTY OF BURNHAM COMMERCIAL. THIS DOCUMENT MAY NOT BE REPRODUCED, TRANSFERRED OR USED, OR ITS CONTENTS DISCLOSED, WITHOUT THE WRITTEN PERMISSION OF THE OWNER.

AUG 2015 TS-46-69-B