

BURNHAM®

Commercial Boilers

RATINGS AND DATA

Shell Diameter : 80"
 Gross Output - BHP : 300
 Gross Output - MBH : 10043
 Gross Output - Lbs/Hr : 10350
 Net Rating - MBH : 8036
 Net Rating - Sq. Ft. : 33483
 Safety Valve - Lbs/Hr. : 11716

LEGEND CONNECTIONS

- A = 6" FLANGED SUPPLY (300#)
- B = 2" RETURN
- C = 3" x 4" HANDHOLE
- D = 1" WATER COLUMN
- E = 3/4" AQUASTAT
- F = 2" BOTTOM BLOWDOWN
- G = 2" SURFACE BLOWOFF
- H = 2" AUXILIARY CONNECTION
- J = 1-1/2" SAFETY VALVE (2)
- K = 12" X 16" MANHOLE
- L = 20" NOMINAL FLUE DIAMETER

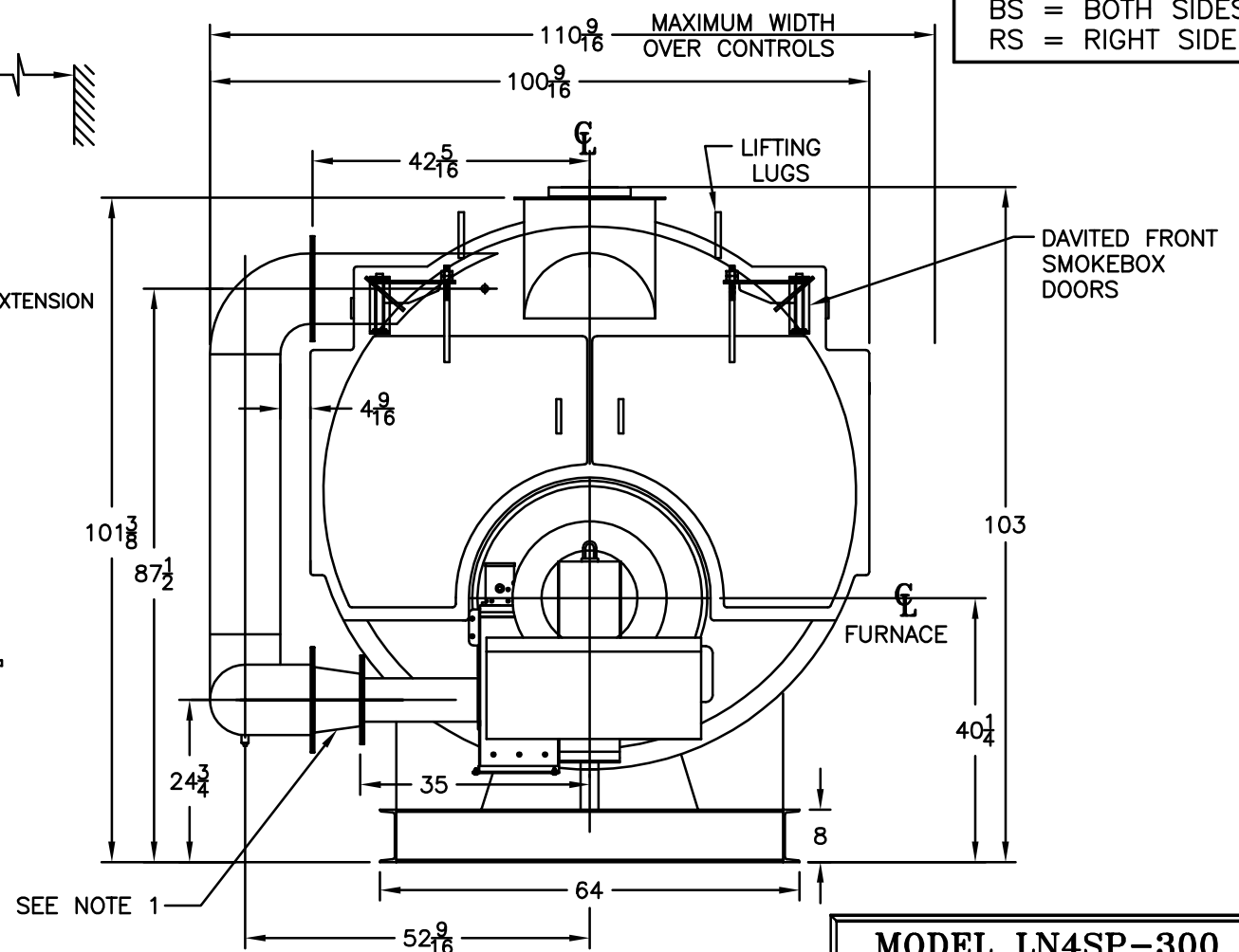
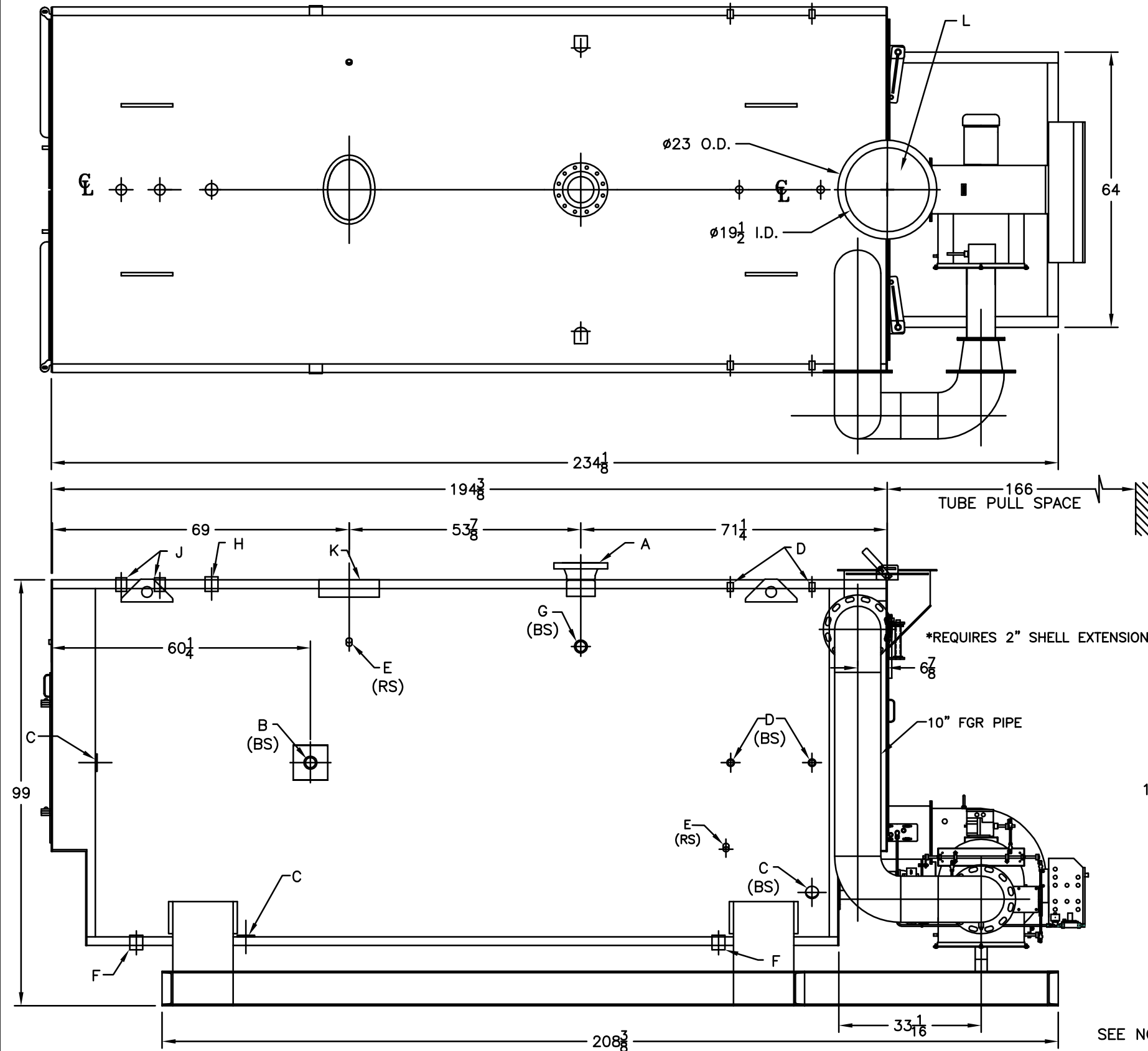
Heating Surface - Sq. Ft.
 Fireside - 1500
 Firtubes
 Number - 164
 Diameter - 2.5" O.D.

Firing Rate
 1000 BTU Gas (MBH) - 12553
 140000 BTU/Gal Oil (GPH) - 86.9
 150000 BTU/Gal Oil (GPH) - 81.1

Water Content
 Pounds - 16099
 Gallons (U.S.) - 1930
 Approximate Weight/LBS.
 Dry - 22464
 Wet - 38563

LEGEND

BS = BOTH SIDES
 RS = RIGHT SIDE



NOTES:
 1. FGR REDUCING FITTING MAY BE REQUIRED BASED ON FGR INLET SIZE ON BURNER.

MODEL LN4SP-300
300 BHP W/10" FGR
POWERFLAME LNICM9A
150 PSI STEAM

SPECIFICATIONS SUBJECT TO CHANGE WITHOUT NOTICE ALL CONNECTIONS ARE THREADED UNLESS OTHERWISE SPECIFIED