

BURNHAM®

Commercial Boilers

RATINGS AND DATA

Shell Diameter : 88"
 Gross Output - BHP : 400
 Gross Output - MBH : 13390
 Gross Output - Lbs/Hr : 13800
 Net Rating - MBH : 10714
 Net Rating - Sq. Ft. : 44642
 Safety Valve - Lbs/Hr. : 15621

LEGEND CONNECTIONS

- A = 8" FLANGED SUPPLY (300#)
- B = 2-1/2" RETURN
- C = 3" x 4" HANDHOLE
- D = 1" WATER COLUMN
- E = 3/4" AQUASTAT
- F = 2" BOTTOM BLOWDOWN
- G = 2" SURFACE BLOWOFF
- H = 2" AUXILIARY CONNECTION
- J = 2" SAFETY VALVE
1-1/2" SAFETY VALVE
- K = 12" X 16" MANHOLE
- L = 24" NOMINAL FLUE DIAMETER

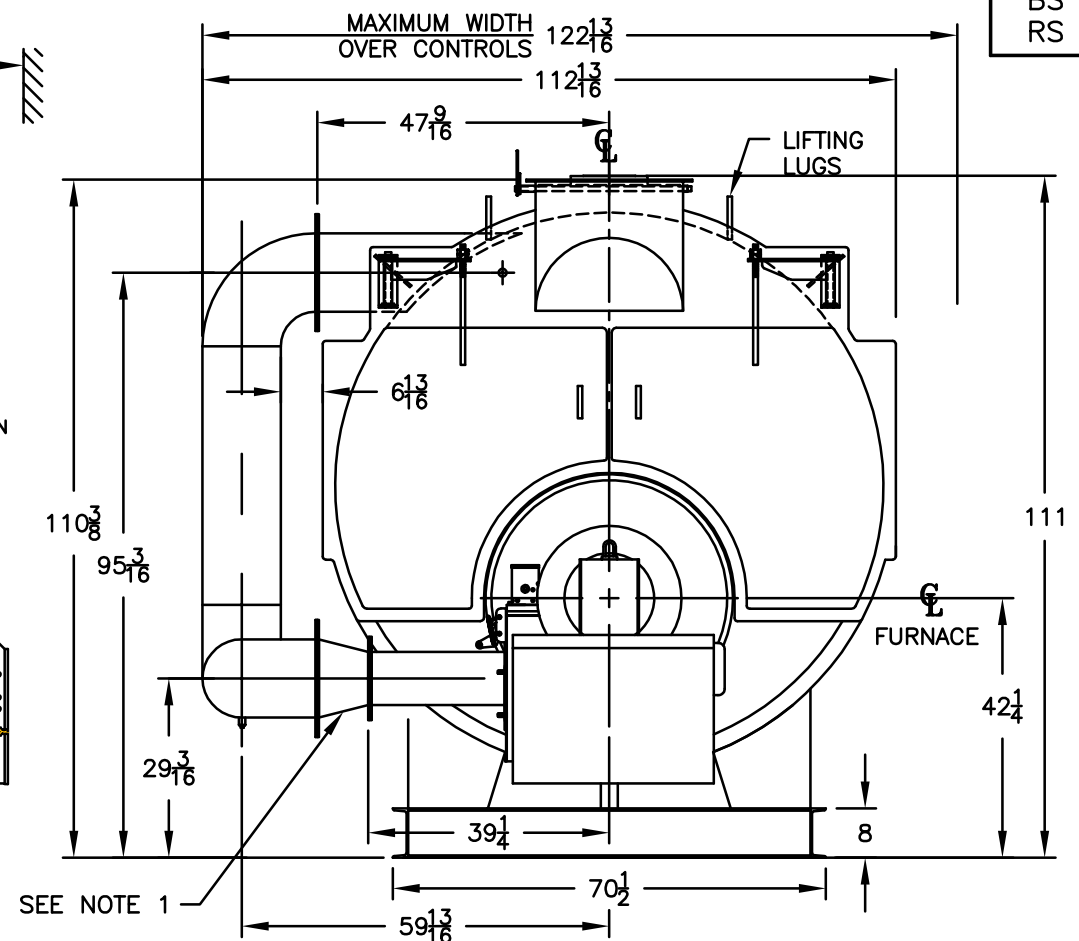
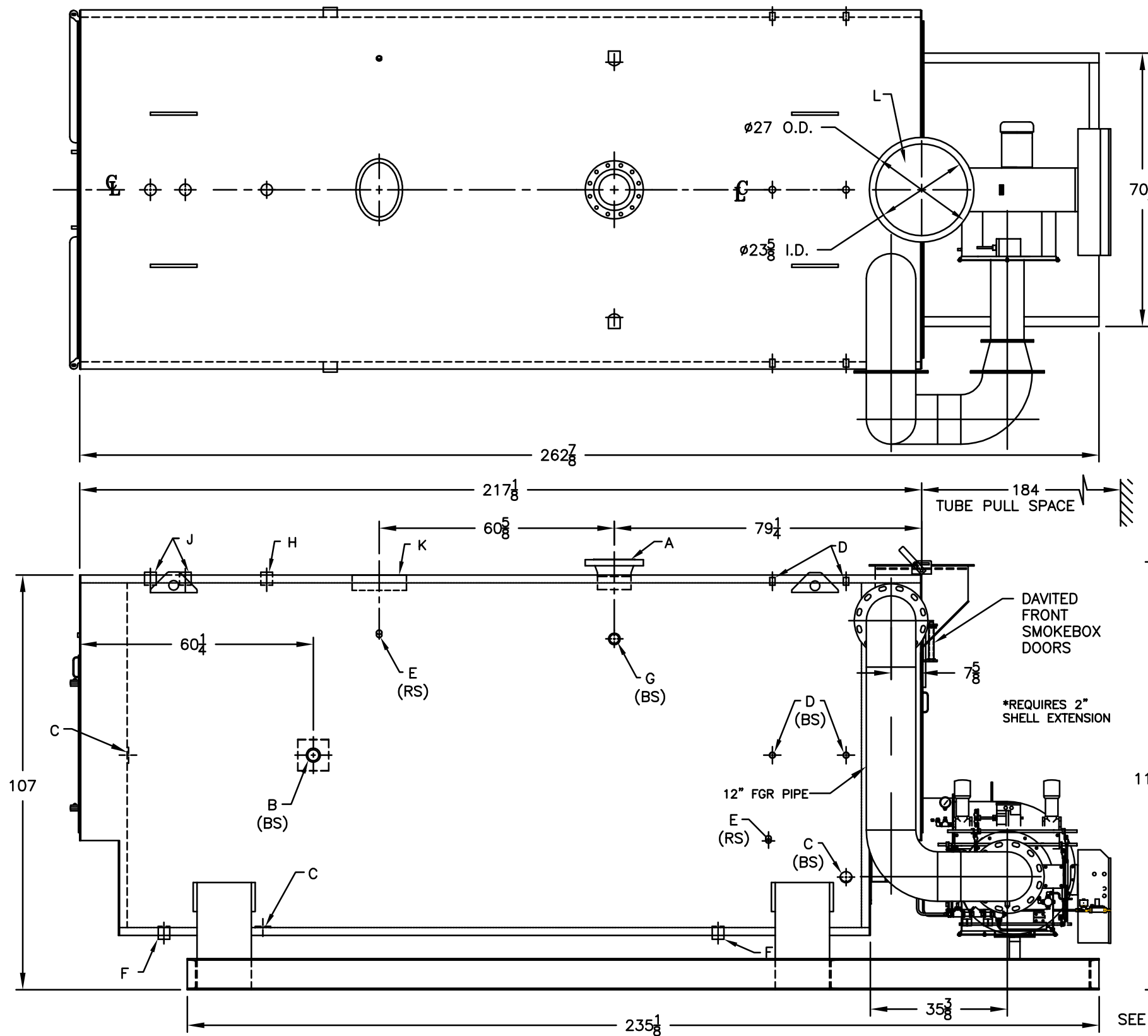
Heating Surface - Sq. Ft.
 Fireside - 2000
 Firtubes
 Number - 200
 Diameter - 2.5" O.D.

Firing Rate
 1000 BTU Gas (MBH) - 16738
 140000 BTU/Gal Oil (GPH) - 115.9
 150000 BTU/Gal Oil (GPH) - 108.2

Water Content
 Pounds - 21689
 Gallons (U.S.) - 2600
 Approximate Weight/LBS.
 Dry - 28271
 Wet - 49959

LEGEND

BS = BOTH SIDES
 RS = RIGHT SIDE



NOTES:
 1. FGR REDUCING FITTING MAY BE REQUIRED BASED ON FGR INLET SIZE ON BURNER.

MODEL LN4SP-400
400 BHP
POWERFLAME LNICM10
150 PSI STEAM

SPECIFICATIONS SUBJECT TO CHANGE WITHOUT NOTICE ALL CONNECTIONS ARE THREADED UNLESS OTHERWISE SPECIFIED