

BURNHAM®

Commercial Boilers

RATINGS AND DATA

Shell Diameter : 98"
 Gross Output - BHP : 500
 Gross Output - MBH : 16738
 Gross Output - Lbs/Hr : 17250
 Net Rating - MBH : 13393
 Net Rating - Sq. Ft. : 55804
 Safety Valve - Lbs/Hr. : 19526

LEGEND CONNECTIONS

- A = 8" FLANGED SUPPLY (300#)
- B = 2-1/2" RETURN
- C = 3" x 4" HANDHOLE
- D = 1" WATER COLUMN
- E = 3/4" AQUASTAT
- F = 2" BOTTOM BLOWDOWN
- G = 2" SURFACE BLOWOFF
- H = 2" AUXILIARY CONNECTION
- J = 2" SAFETY VALVE (2)
- K = 12" X 16" MANHOLE
- L = 28" NOMINAL FLUE DIAMETER

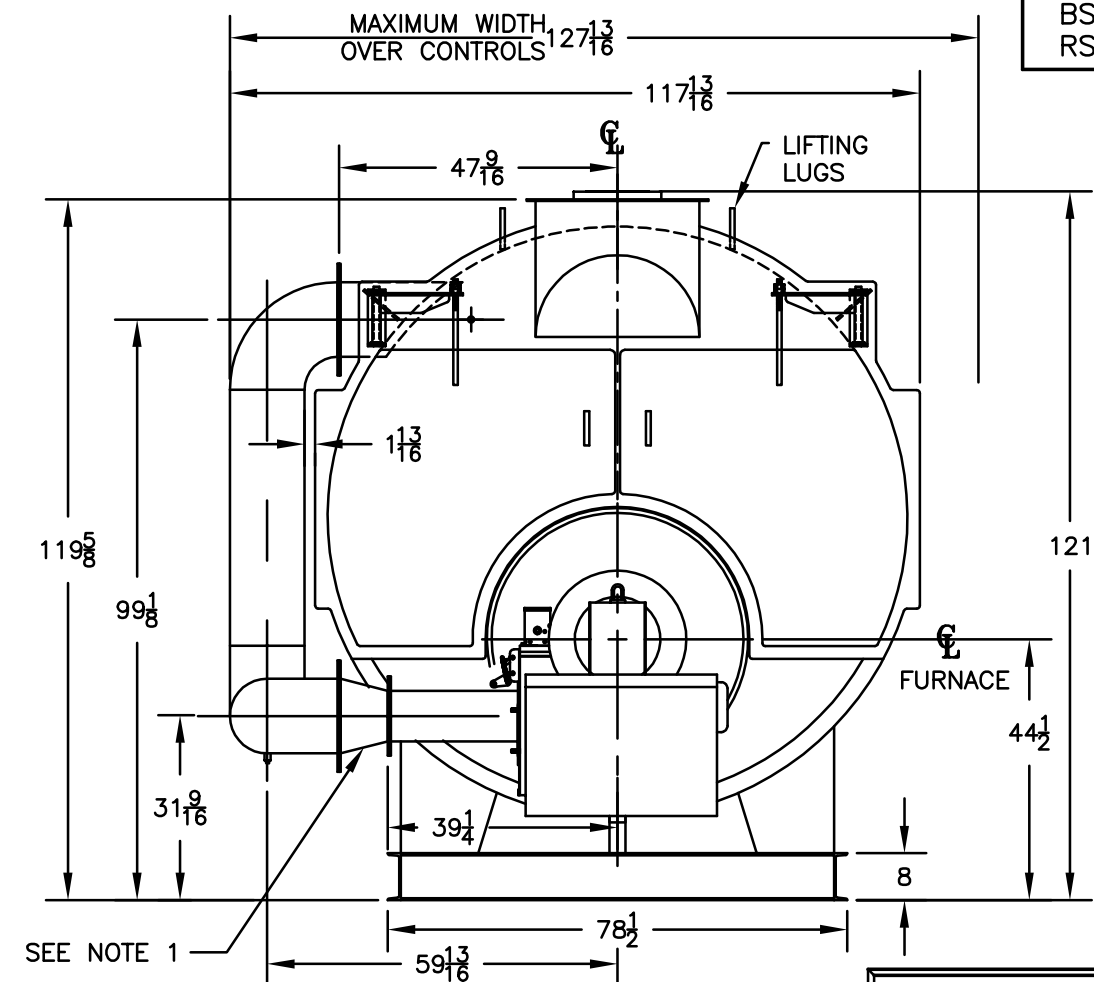
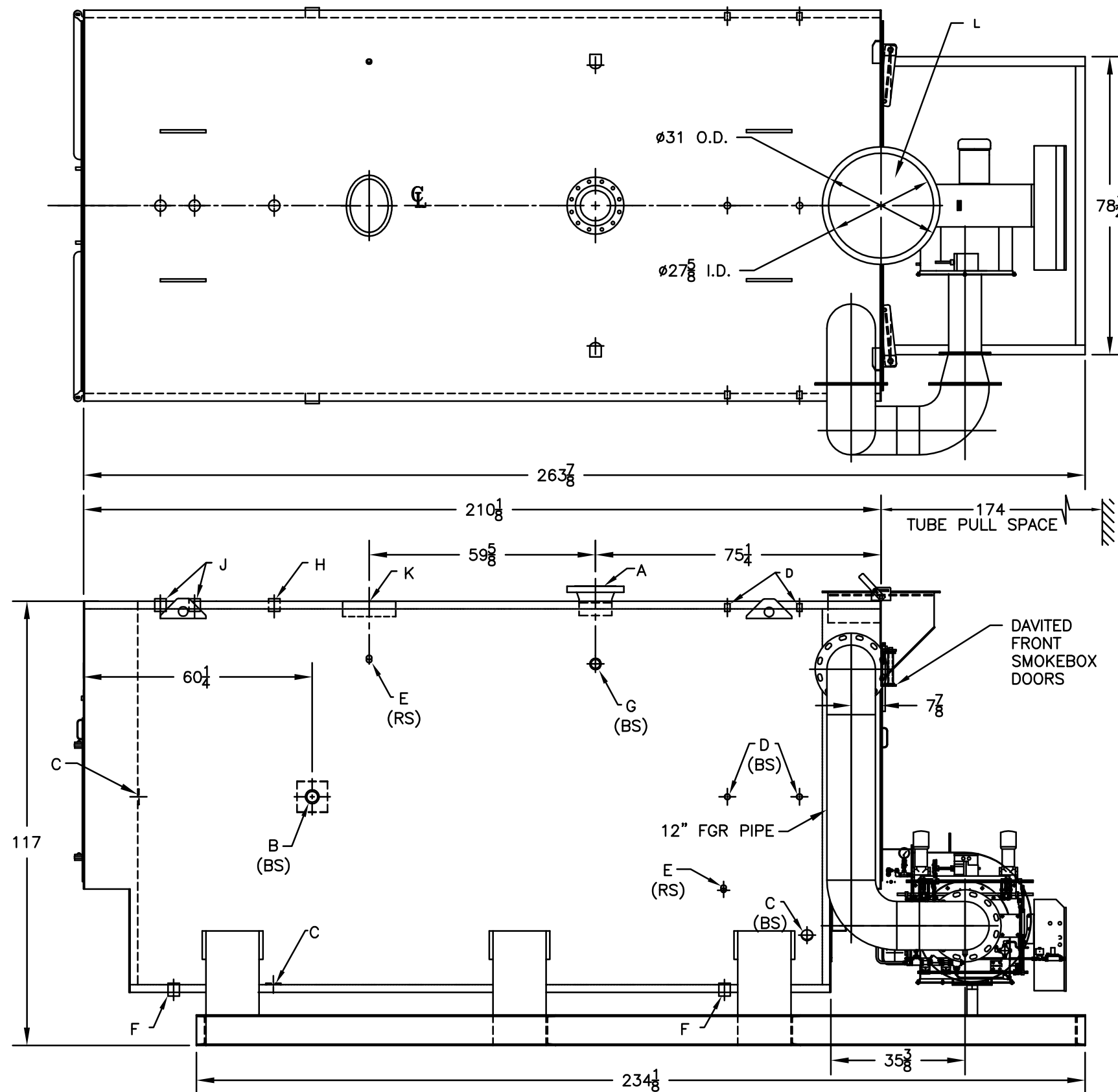
Heating Surface - Sq. Ft.
 Fireside - 2500
 Firetubes
 Number - 264
 Diameter - 2.5" O.D.

Firing Rate
 1000 BTU Gas (MBH) - 20922
 140000 BTU/Gal Oil (GPH) - 144.9
 150000 BTU/Gal Oil (GPH) - 135.2

Water Content
 Pounds - 23446
 Gallons (U.S.) - 2811
 Approximate Weight/LBS.
 Dry - 33657
 Wet - 57103

LEGEND

BS = BOTH SIDES
 RS = RIGHT SIDE



NOTES:
 1. FGR REDUCING FITTING MAY BE REQUIRED BASED ON FGR INLET SIZE ON BURNER.

MODEL LN4SP-500
500 BHP
POWERFLAME LNICM10B
150 PSI STEAM

SPECIFICATIONS SUBJECT TO CHANGE WITHOUT NOTICE ALL CONNECTIONS ARE THREADED UNLESS OTHERWISE SPECIFIED

THIS DOCUMENT CONTAINS CONFIDENTIAL INFORMATION WHICH IS THE PROPERTY OF BURNHAM COMMERCIAL. THIS DOCUMENT MAY NOT BE REPRODUCED, TRANSFERRED OR USED, OR ITS CONTENTS DISCLOSED, WITHOUT THE WRITTEN PERMISSION OF THE OWNER.

AUG 2015 TS-46-75-B