

BURNHAM®

Commercial Boilers

RATINGS AND DATA

Shell Diameter : 98"
 Gross Output - BHP : 600
 Gross Output - MBH : 20085
 Gross Output - Lbs/Hr : 20700
 Net Rating - MBH : 16071
 Net Rating - Sq. Ft. : 66963
 Safety Valve - Lbs/Hr. : 23431

LEGEND CONNECTIONS

- A = 8" FLANGED SUPPLY (300#)
- B = 2-1/2" RETURN
- C = 3" x 4" HANDHOLE
- D = 1" WATER COLUMN
- E = 3/4" AQUASTAT
- F = 2" BOTTOM BLOWDOWN
- G = 2" SURFACE BLOWOFF
- H = 2" AUXILIARY CONNECTION
- J = 1-1/2" SAFETY VALVE
2" SAFETY VALVE (2)
- K = 12" X 16" MANHOLE
- L = 28" NOMINAL FLUE DIAMETER

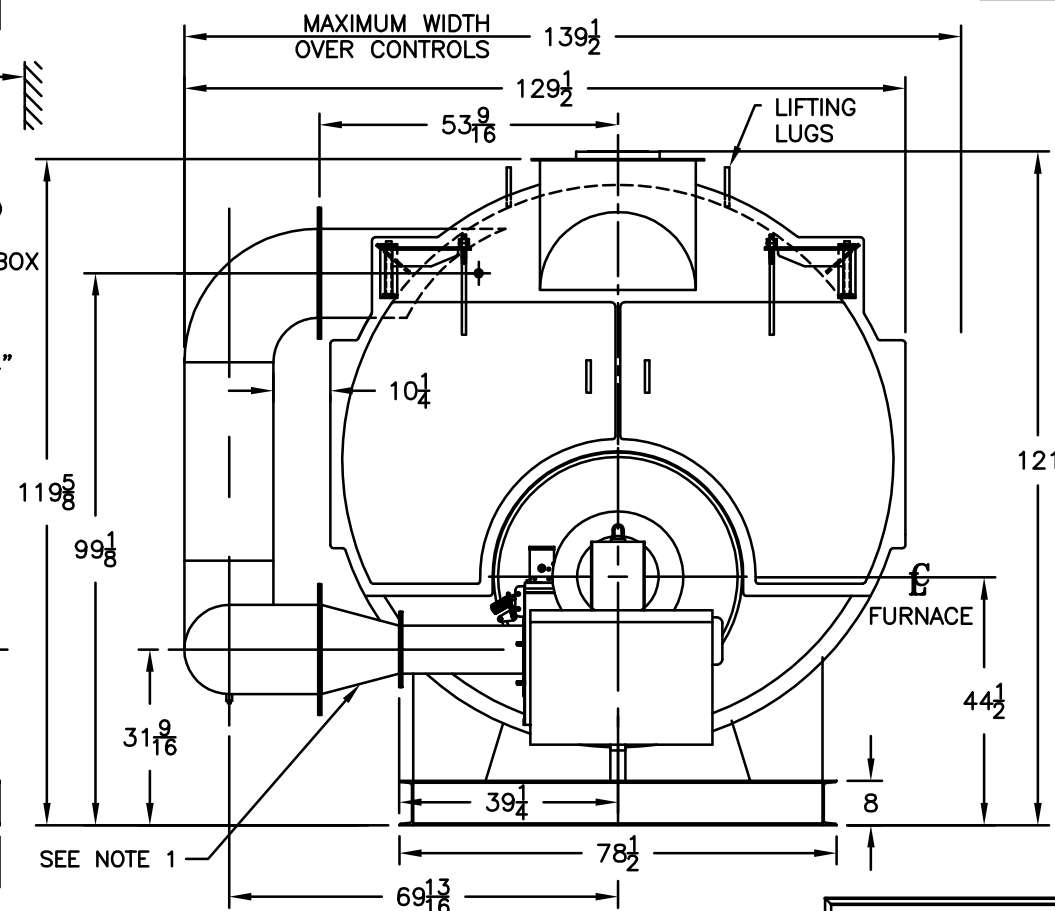
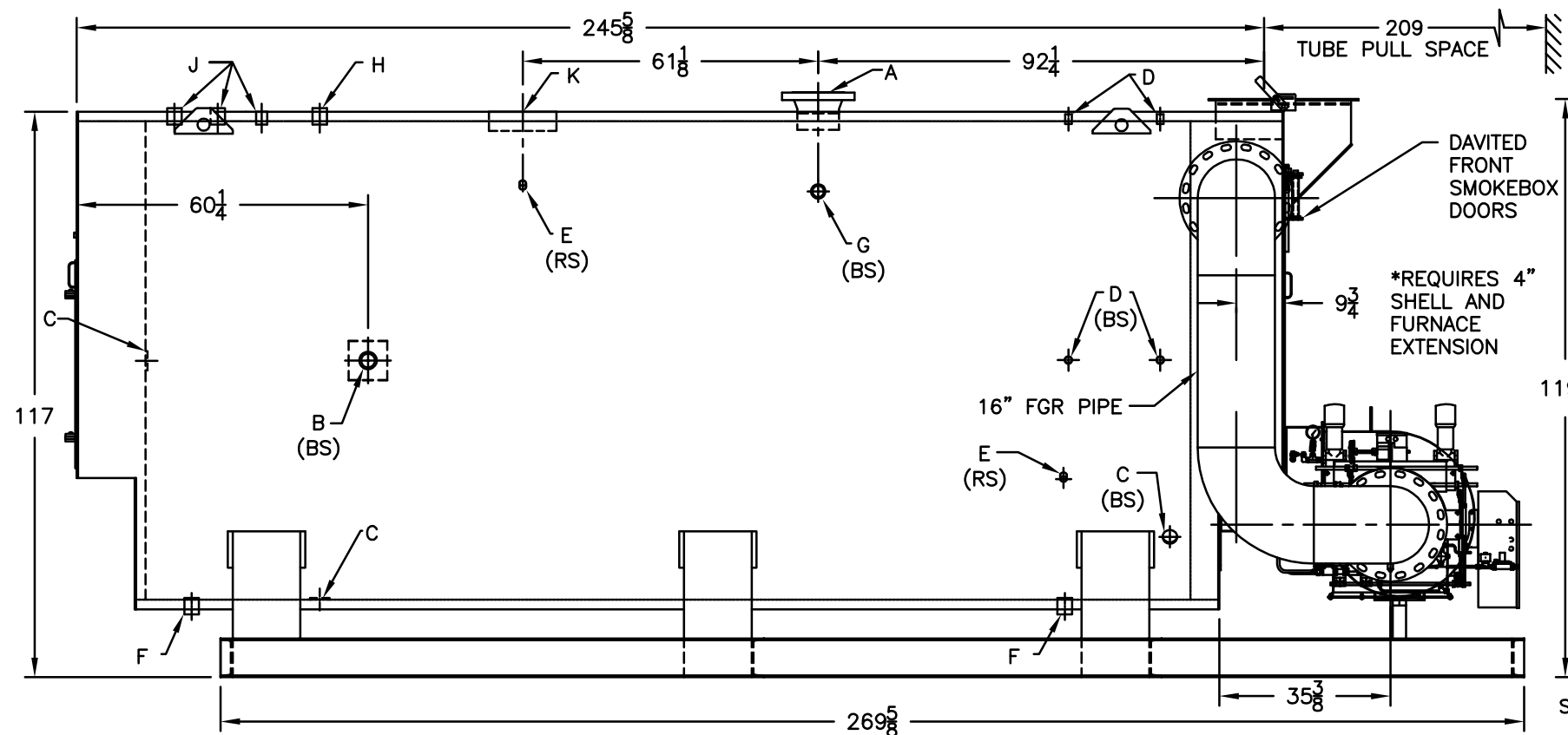
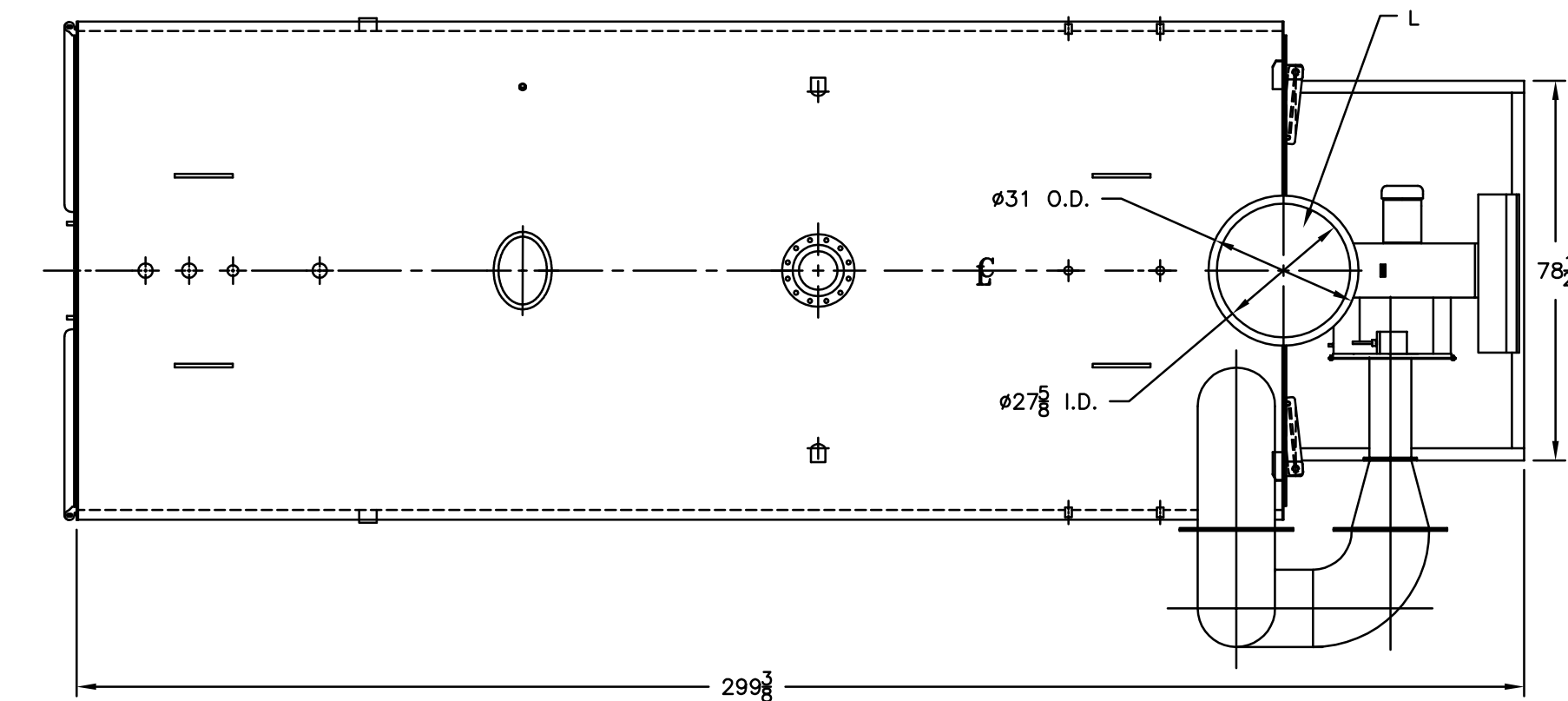
Heating Surface - Sq. Ft.
 Fireside - 3000
 Firetubes
 Number - 264
 Diameter - 2.5" O.D.

Firing Rate
 1000 BTU Gas (MBH) - 25106
 140000 BTU/Gal Oil (GPH) - 173.9
 150000 BTU/Gal Oil (GPH) - 162.3

Water Content
 Pounds - 28319
 Gallons (U.S.) - 3395
 Approximate Weight/LBS.
 Dry - 38948
 Wet - 67267

LEGEND

BS = BOTH SIDES
 RS = RIGHT SIDE



NOTES:
 1. FGR REDUCING FITTING MAY BE REQUIRED BASED ON FGR INLET SIZE ON BURNER.

MODEL LN4SP-600
600 BHP
POWERFLAME LN1CM10C
150 PSI STEAM

SPECIFICATIONS SUBJECT TO CHANGE WITHOUT NOTICE ALL CONNECTIONS ARE THREADED UNLESS OTHERWISE SPECIFIED

THIS DOCUMENT CONTAINS CONFIDENTIAL INFORMATION WHICH IS THE PROPERTY OF BURNHAM COMMERCIAL. THIS DOCUMENT MAY NOT BE REPRODUCED, TRANSFERRED OR USED, OR ITS CONTENTS DISCLOSED, WITHOUT THE WRITTEN PERMISSION OF THE OWNER.

AUG 2015 TS-46-76-B