

BURNHAM®

Commercial Boilers

RATINGS AND DATA

Shell Diameter : 108"
 Gross Output - BHP : 700
 Gross Output - MBH : 23433
 Gross Output - Lbs/Hr : 24150
 Net Rating - MBH : 18750
 Net Rating - Sq. Ft. : 78125
 Safety Valve - Lbs/Hr. : 27337

LEGEND CONNECTIONS

- A = 8" FLANGED SUPPLY (300#)
- B = 2-1/2" RETURN
- C = 3" x 4" HANDHOLE
- D = 1" WATER COLUMN
- E = 3/4" AQUASTAT
- F = 2" BOTTOM BLOWDOWN
- G = 2" SURFACE BLOWOFF
- H = 2" AUXILIARY CONNECTION
- J = 2" SAFETY VALVE (3)
- K = 12" X 16" MANHOLE
- L = 28" NOMINAL FLUE DIAMETER

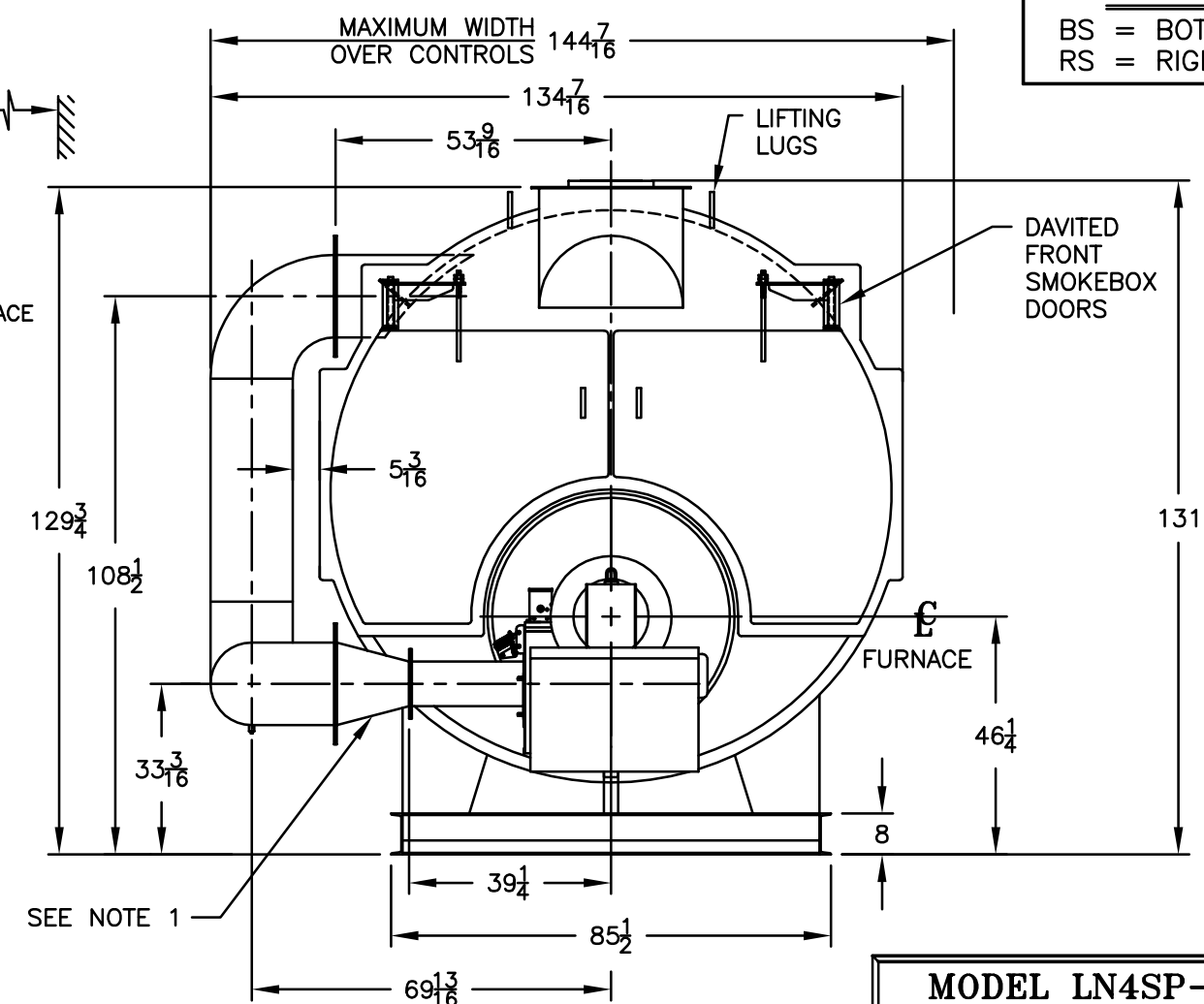
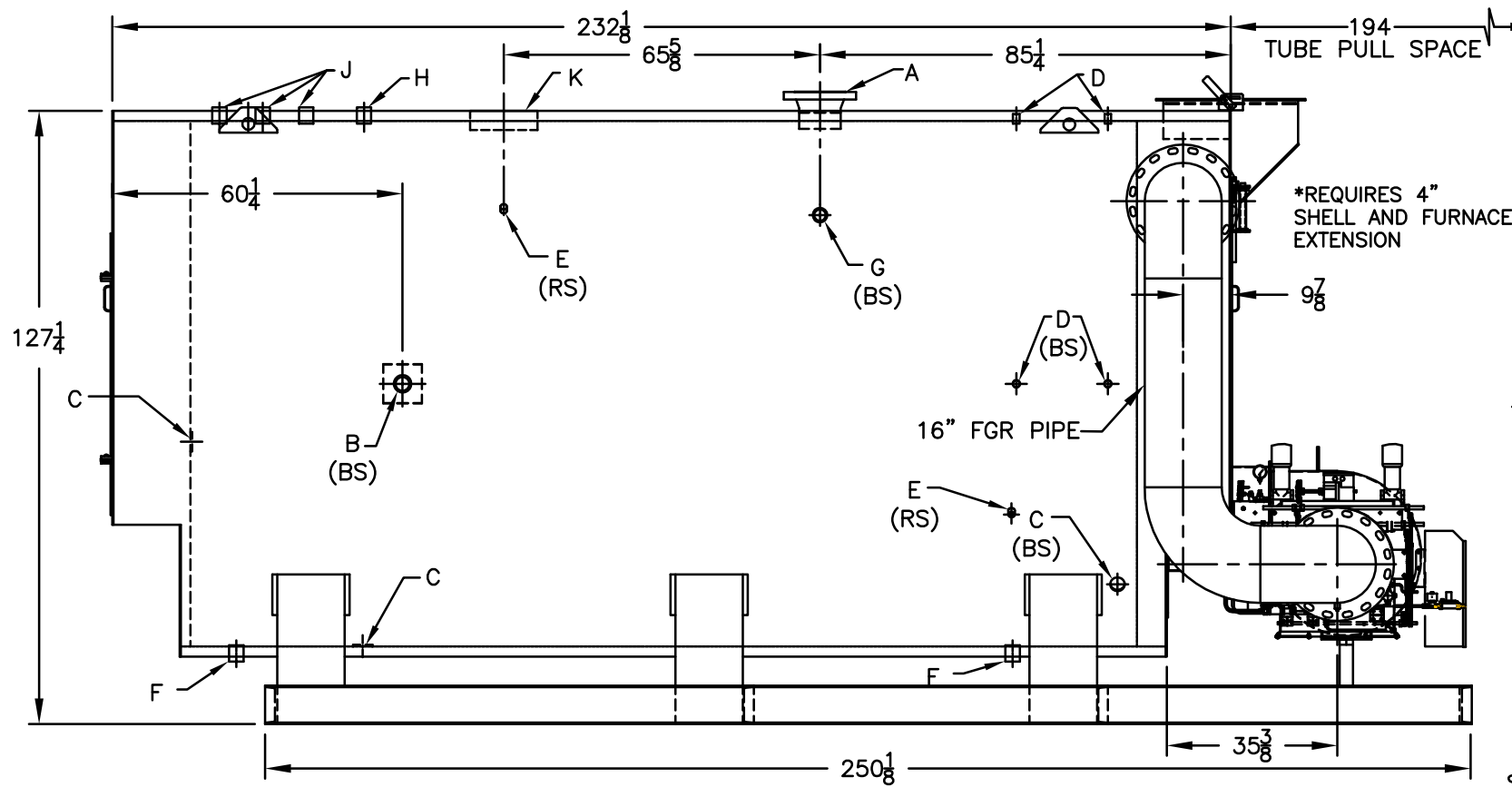
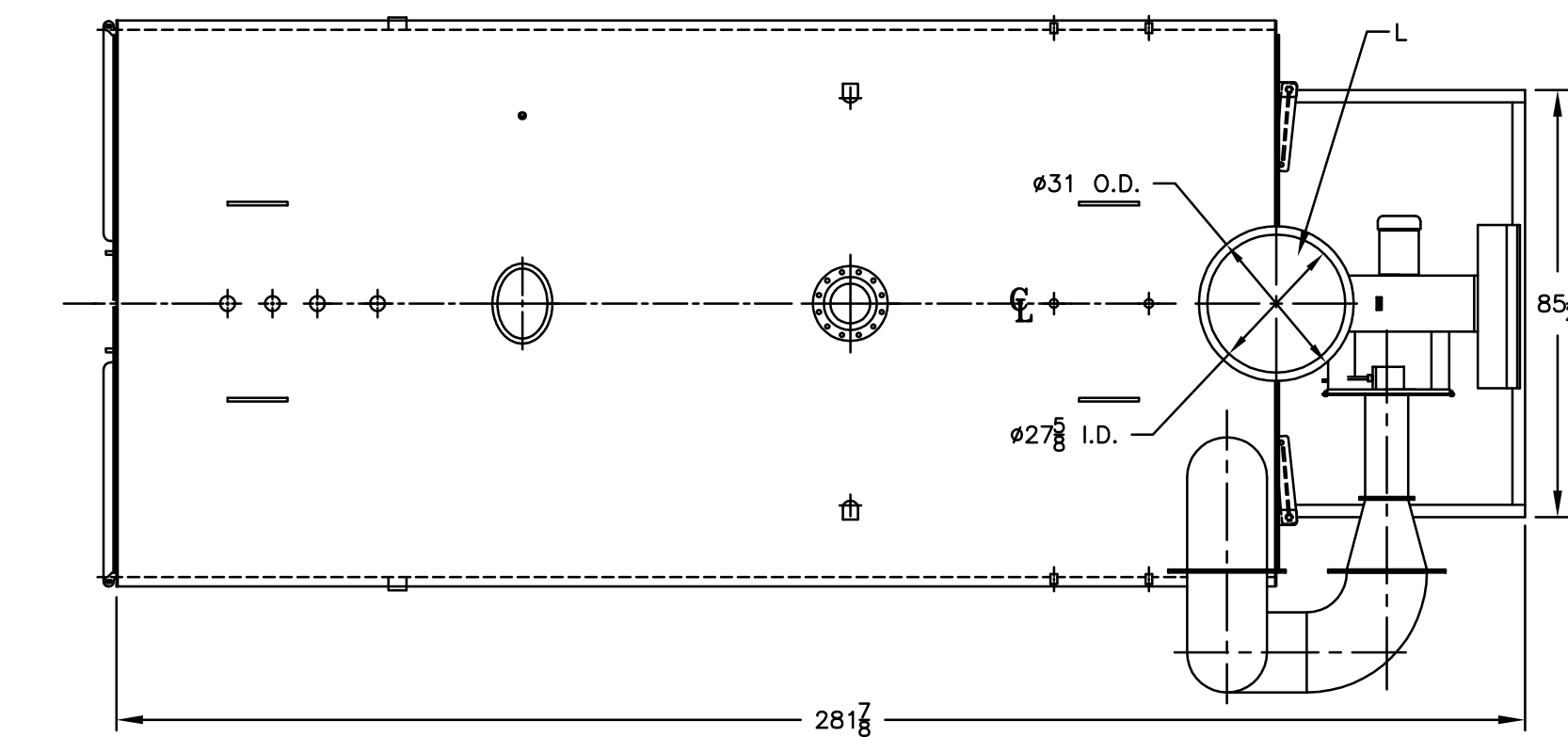
Heating Surface - Sq. Ft.
 Fireside - 3500
 Firetubes
 Number - 348
 Diameter - 2.5" O.D.

Firing Rate
 1000 BTU Gas (MBH) - 29291
 140000 BTU/Gal Oil (GPH) - 202.6
 150000 BTU/Gal Oil (GPH) - 189.1

Water Content
 Pounds - 32295
 Gallons (U.S.) - 3872
 Approximate Weight/LBS.
 Dry - 42499
 Wet - 74794

LEGEND

BS = BOTH SIDES
 RS = RIGHT SIDE



NOTES:
 1. FGR REDUCING FITTING MAY BE REQUIRED BASED ON FGR INLET SIZE ON BURNER.

MODEL LN4SP-700
700 BHP
POWERFLAME LN1CM10C
150 PSI STEAM

SPECIFICATIONS SUBJECT TO CHANGE WITHOUT NOTICE ALL CONNECTIONS ARE THREADED UNLESS OTHERWISE SPECIFIED