

LEGEND

BS = BOTH SIDES
RS = RIGHT SIDE

BURNHAM®
Commercial Boilers

RATINGS AND DATA

Shell Diameter : 116"
Gross Output - BHP : 1000
Gross Output - MBH : 33475
Gross Output - Lbs/Hr : 34500
Safety Valve - Lbs/Hr. : 39052

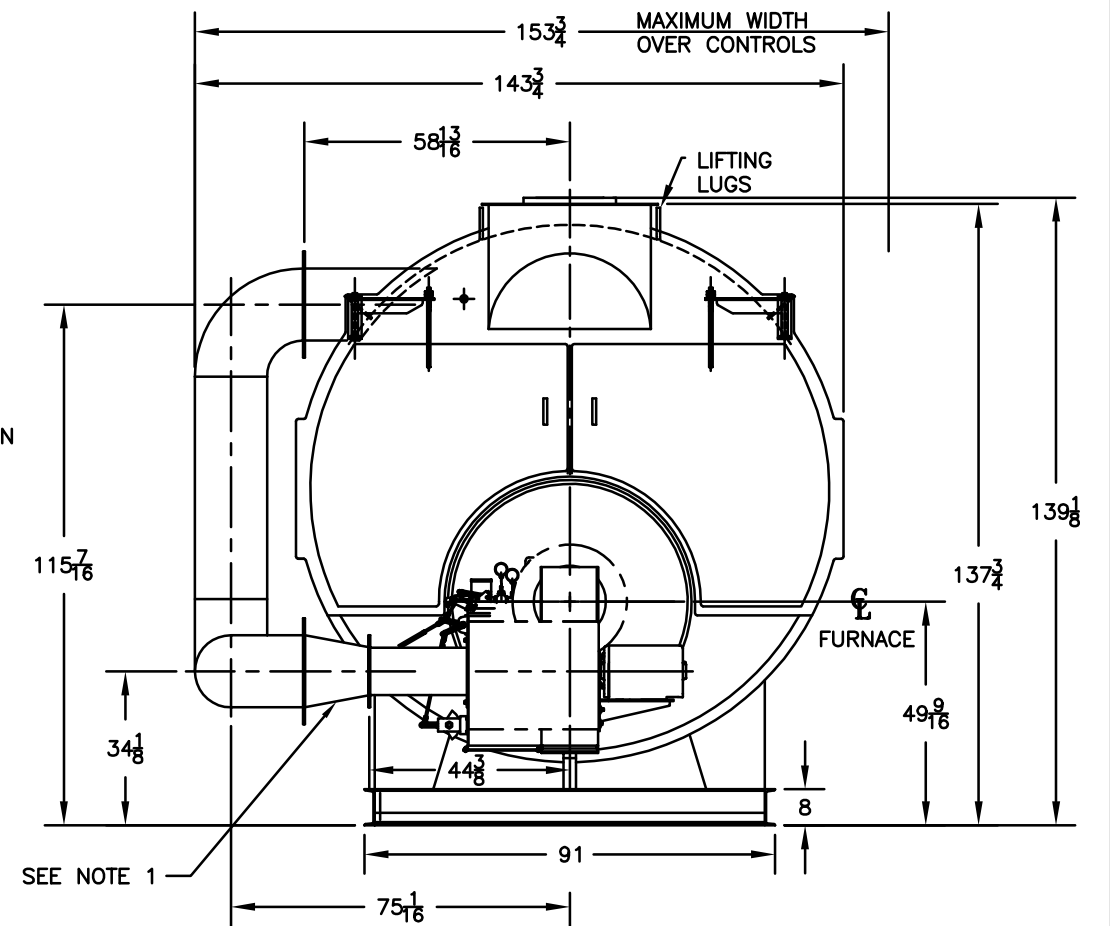
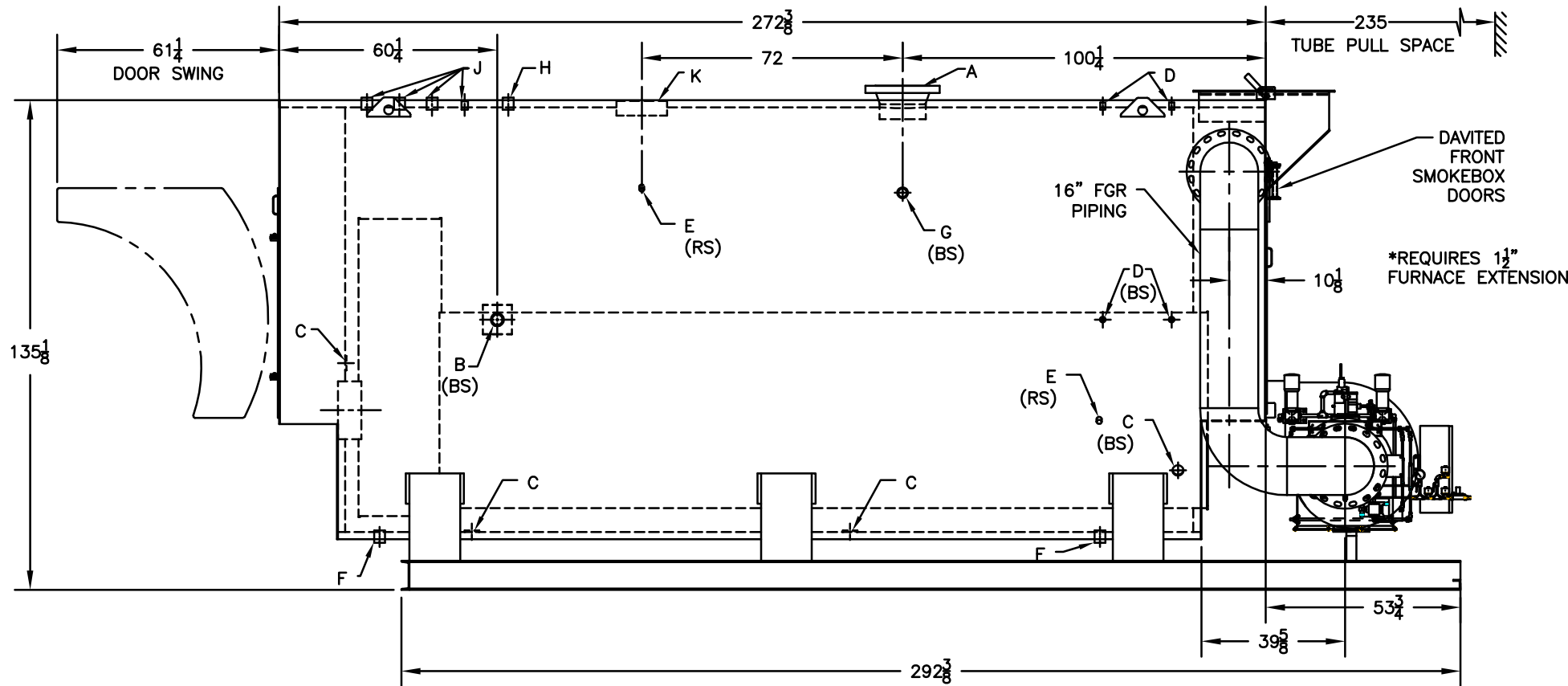
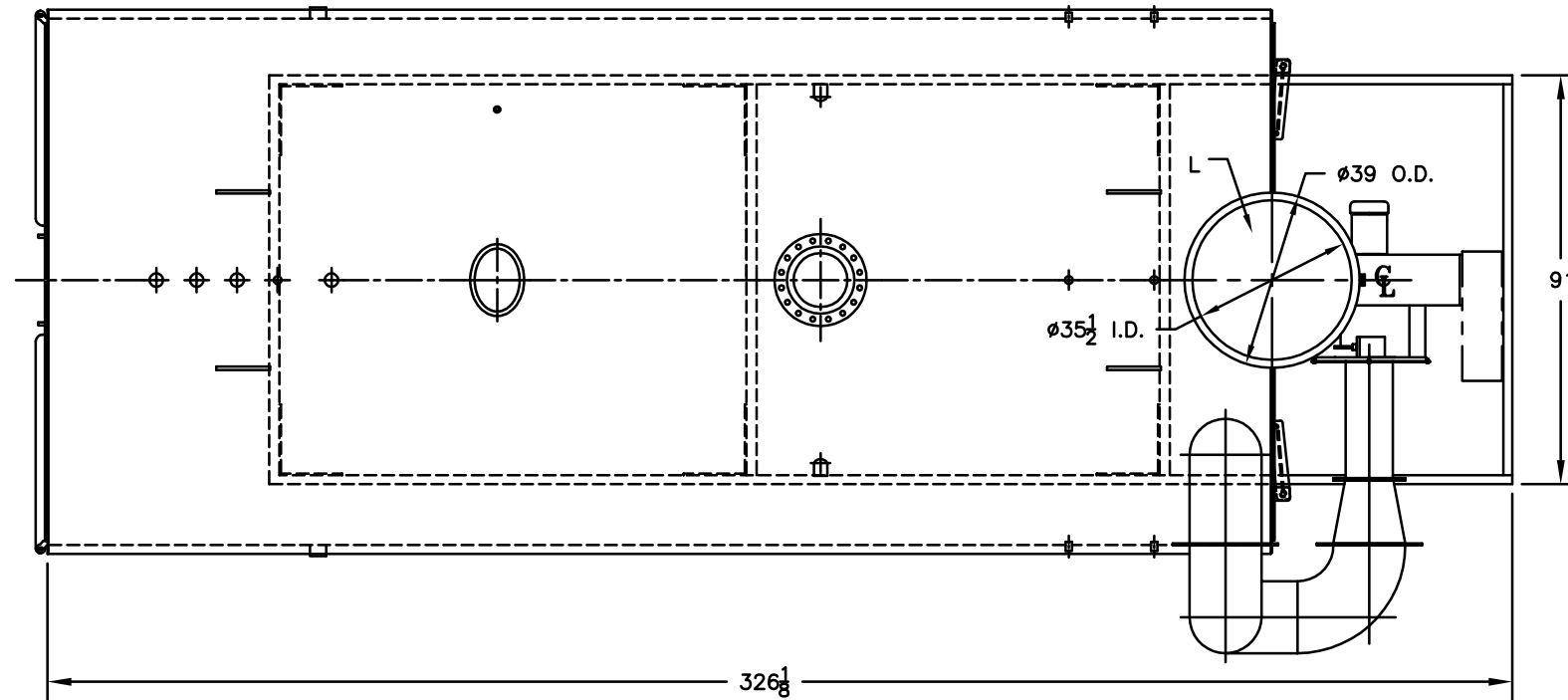
LEGEND CONNECTIONS

- A = 12" FLANGED SUPPLY (300#)
- B = 2-1/2" RETURN
- C = 3" x 4" HANDHOLE
- D = 1" WATER COLUMN
- E = 3/4" AQUASTAT
- F = 2" BOTTOM BLOWDOWN
- G = 2" SURFACE BLOWOFF
- H = 2" AUXILIARY CONNECTION
- J = 1-1/2" SAFETY VALVE (1)
2" SAFETY VALVE (3)
- K = 12" X 16" MANHOLE
- L = 36" NOMINAL FLUE DIAMETER

Heating Surface - Sq. Ft.
Fireside - 5000
Firtubes
Number - 416
Diameter - 2.5" O.D.

Firing Rate
1000 BTU Gas (MBH) - 41844
140000 BTU/Gal Oil (GPH) - 298.9
150000 BTU/Gal Oil (GPH) - 279.0

Water Content
Pounds - 41302
Gallons (U.S.) - 4951
Approximate Weight/LBS.
Dry - 63517
Wet - 104819



NOTES:
1. FGR REDUCING FITTING MAY BE REQUIRED BASED ON FGR INLET SIZE ON BURNER.

MODEL LN4SP-1000
1000 BHP
POWERFLAME LNICM11A
150 PSI STEAM