

# BURNHAM®

## Commercial Boilers

### RATINGS AND DATA

Shell Diameter : 66"  
 Gross Output - BHP : 211.5  
 Gross Output - MBH : 7080  
 Gross Output - Lbs/Hr : 7297  
 Net Rating - MBH : 5497  
 Net Rating - Sq. Ft. : 22904  
 Safety Valve - Lbs/Hr. : 8000

Heating Surface - Sq. Ft.  
 Fireside - 1000  
 Firetubes  
 Number - 182  
 Diameter - 2" O.D.

Firing Rate  
 1000 BTU Gas (MBH) - 8369  
 140000 BTU/Gal Oil (GPH) - 57.6  
 150000 BTU/Gal Oil (GPH) - 53.8

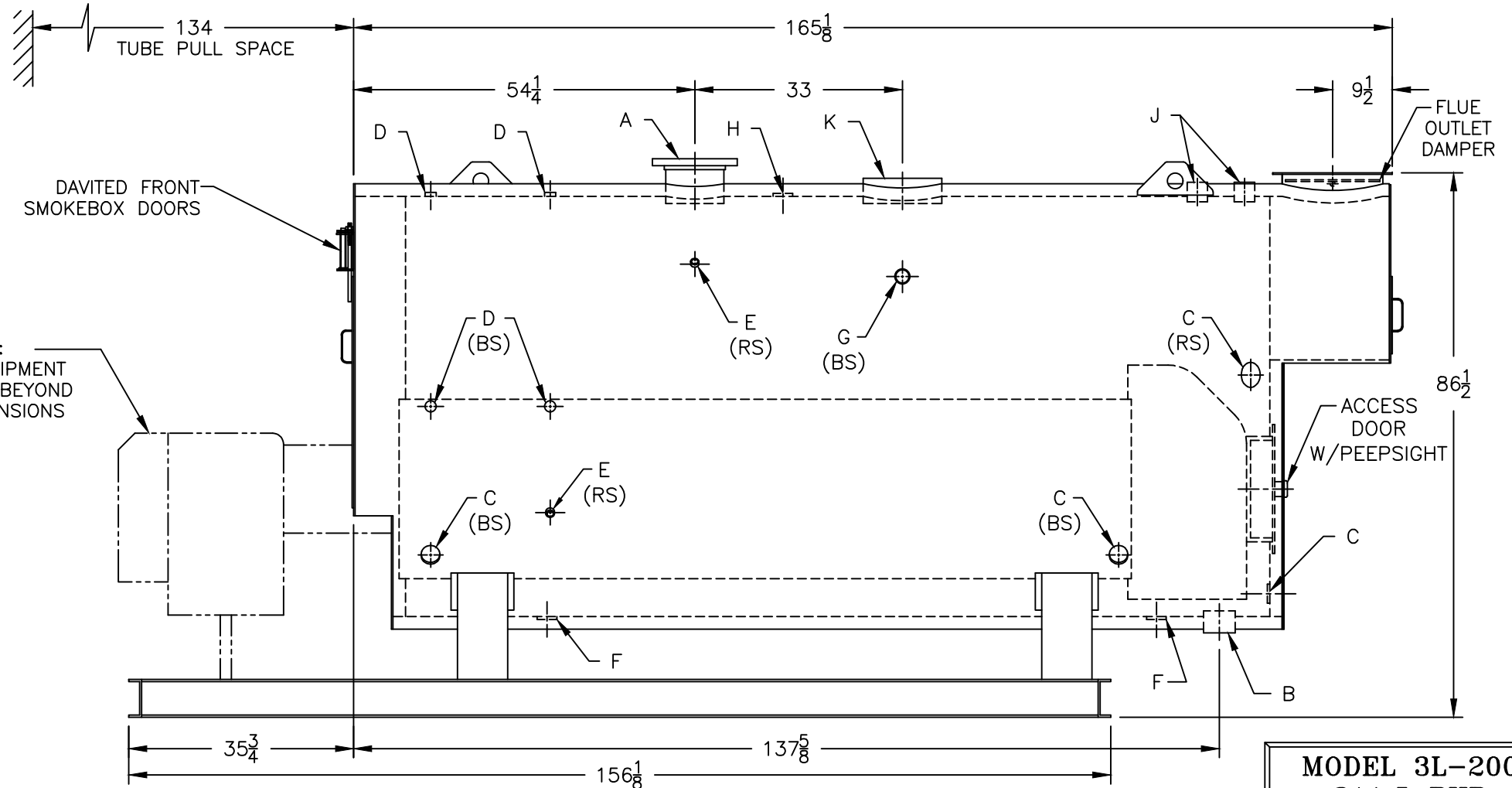
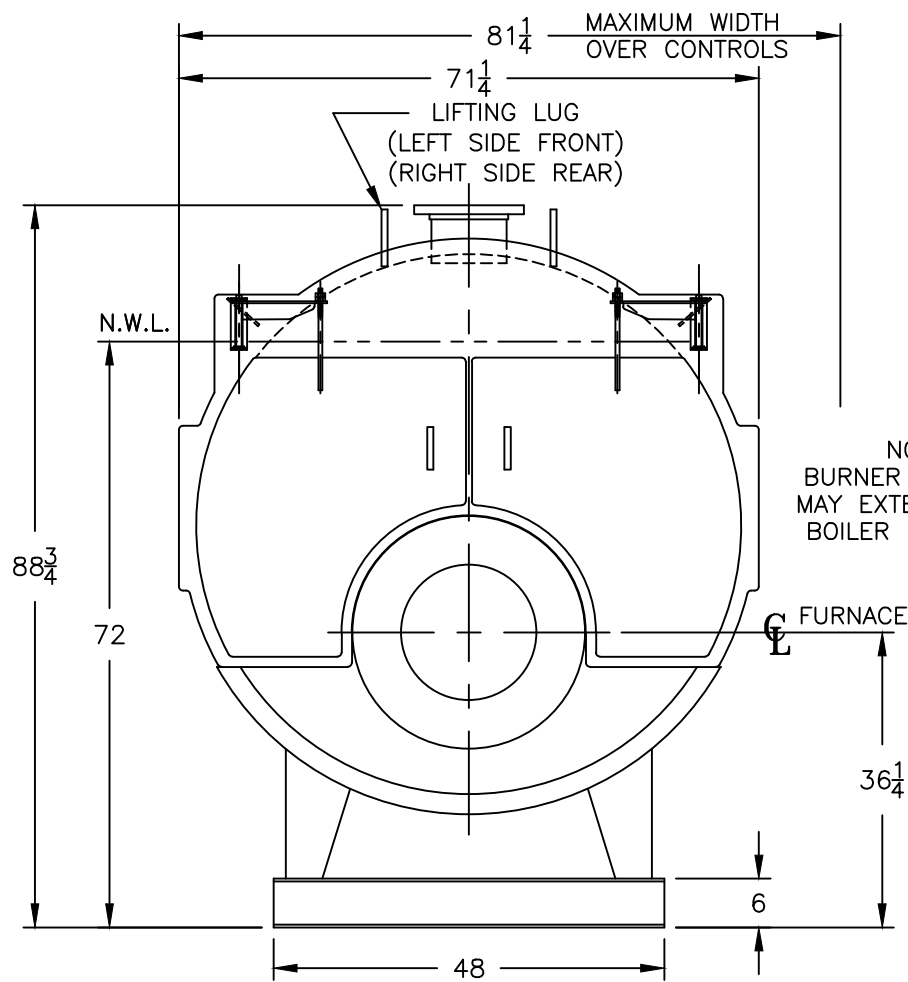
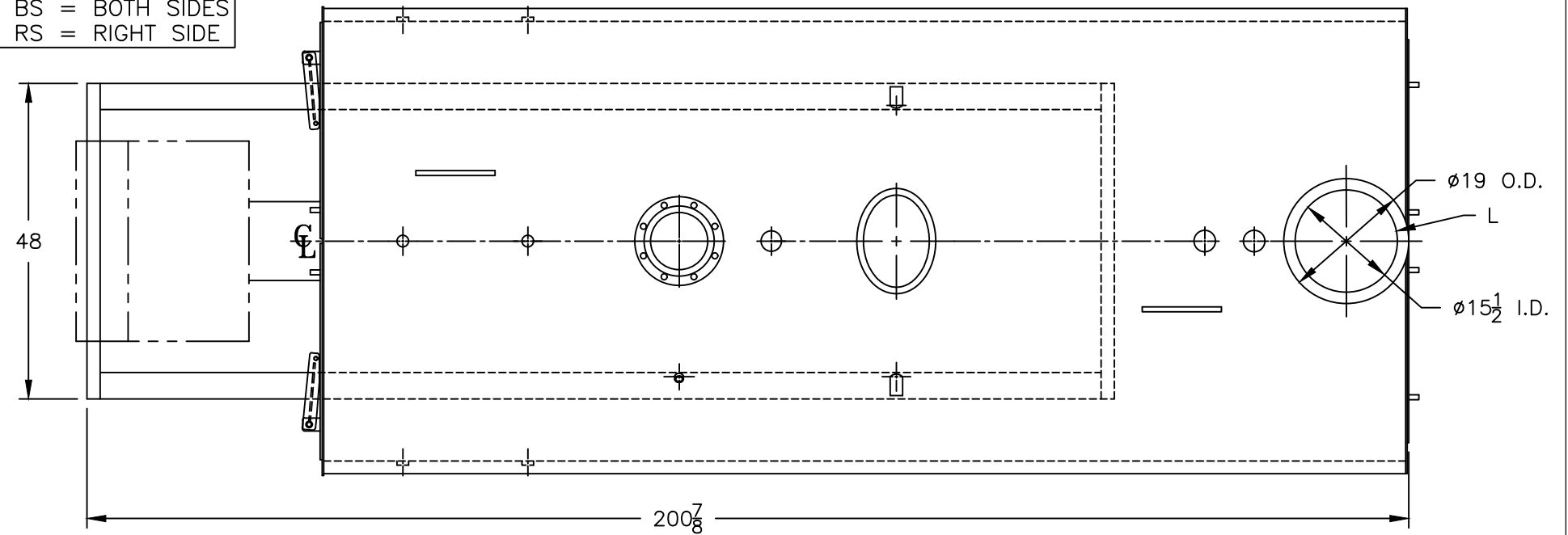
Water Content  
 Pounds - 8725  
 Gallons (U.S.) - 1046  
 Approximate Weight/LBS.  
 Dry - 12300  
 Wet - 21025

### LEGEND CONNECTIONS

- A = 8" FLANGED SUPPLY (150#)
- B = 4" RETURN
- C = 3" x 4" HANDHOLE
- D = 1" WATER COLUMN
- E = 3/4" AQUASTAT
- F = 2" BOTTOM BLOWDOWN
- G = 2" SURFACE BLOWOFF
- H = 2" AUXILIARY CONNECTION
- J = 2-1/2" SAFETY VALVE (2)
- K = 12" x 16" MANHOLE
- L = 16" NOMINAL FLUE DIAMETER

### LEGEND

BS = BOTH SIDES  
 RS = RIGHT SIDE



**MODEL 3L-200**  
**211.5 BHP**  
**15 PSI STEAM**

SPECIFICATIONS SUBJECT TO CHANGE WITHOUT NOTICE ALL CONNECTIONS ARE THREADED UNLESS OTHERWISE SPECIFIED  
 THIS DOCUMENT CONTAINS CONFIDENTIAL INFORMATION WHICH IS THE PROPERTY OF BURNHAM COMMERCIAL. THIS DOCUMENT MAY NOT BE REPRODUCED, TRANSFERRED OR USED, OR ITS CONTENTS DISCLOSED, WITHOUT THE WRITTEN PERMISSION OF THE OWNER.