

BURNHAM®

Commercial Boilers

RATINGS AND DATA

Shell Diameter : 78"
 Gross Output - BHP : 258.1
 Gross Output - MBH : 8641
 Gross Output - Lbs/Hr : 8906
 Net Rating - MBH : 6709
 Net Rating - Sq. Ft. : 27953
 Safety Valve - Lbs/Hr. : 10000

Heating Surface - Sq. Ft.
 Fireside - 1250
 Firetubes
 Number - 186
 Diameter - 2.5" O.D.

Firing Rate
 1000 BTU Gas (MBH) - 10461
 140000 BTU/Gal Oil (GPH) - 71.7
 150000 BTU/Gal Oil (GPH) - 66.9

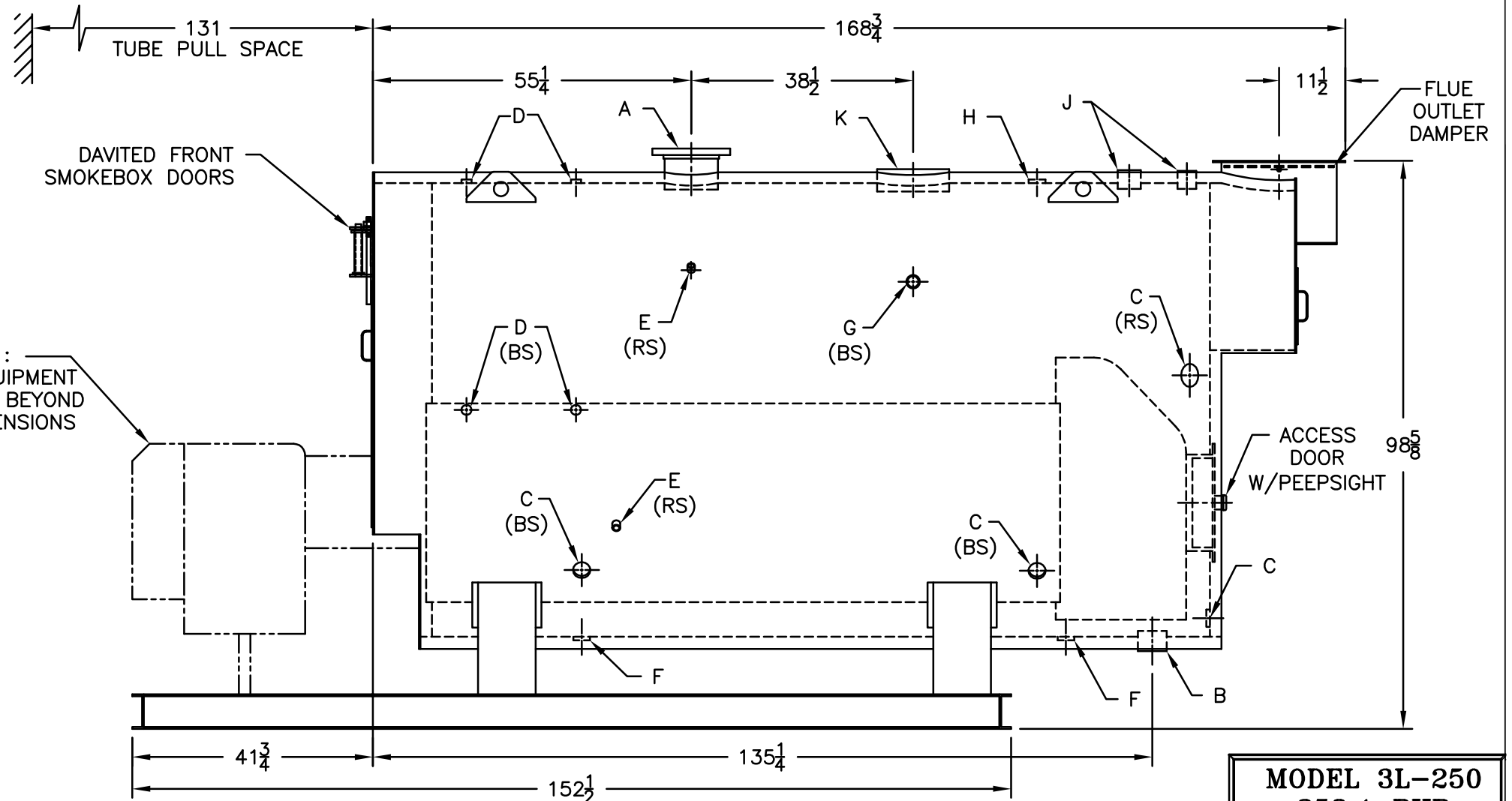
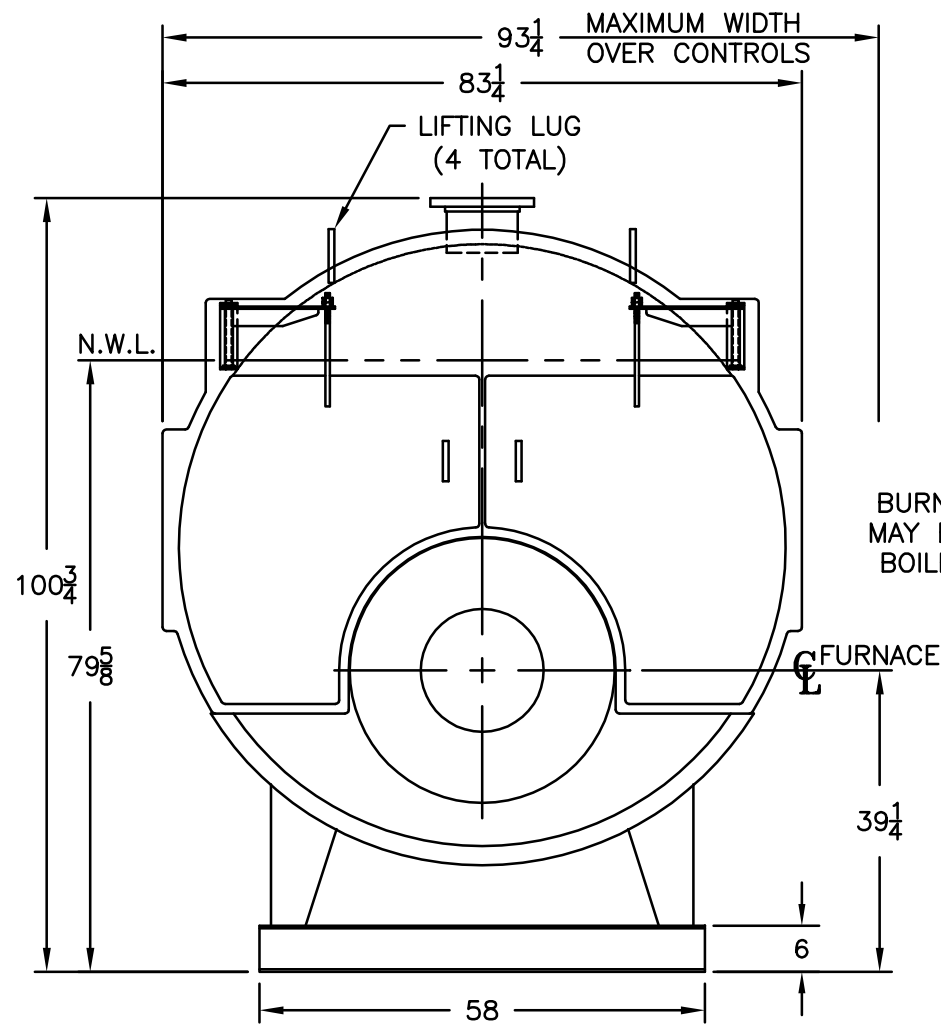
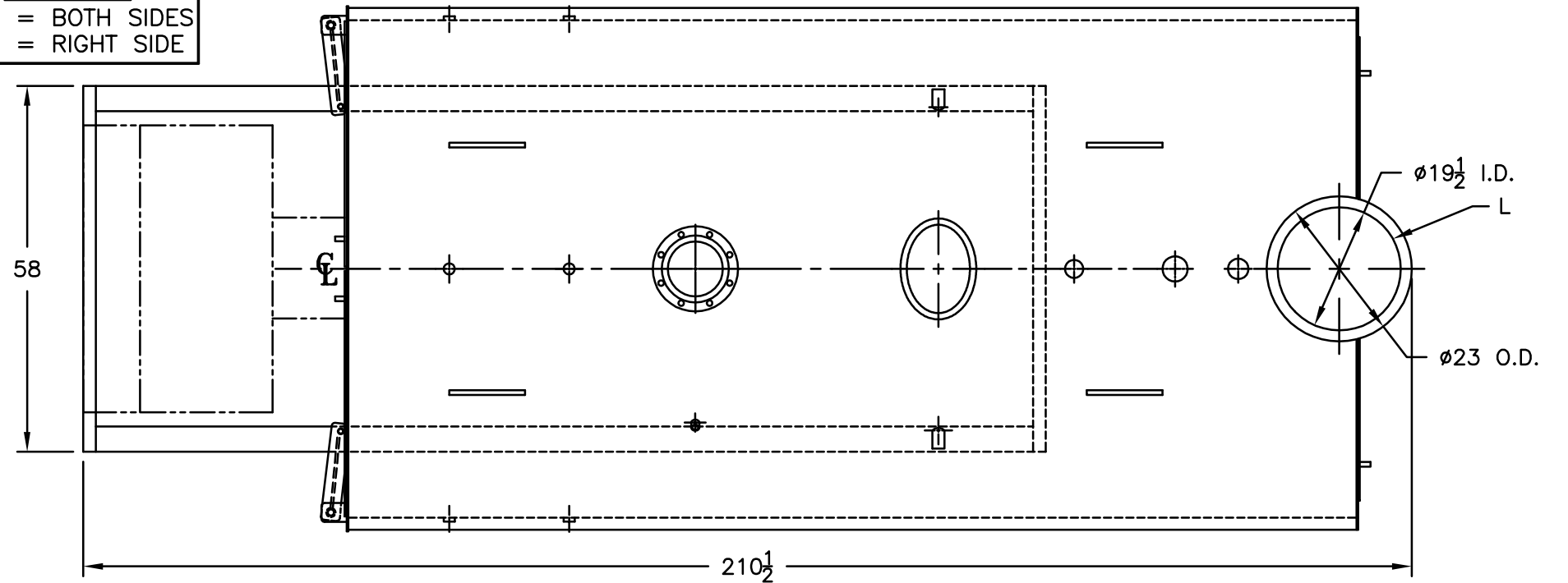
Water Content
 Pounds - 10507
 Gallons (U.S.) - 1261
 Approximate Weight/LBS.
 Dry - 15400
 Wet - 25907

LEGEND CONNECTIONS

- A = 8" FLANGED SUPPLY (150#)
- B = 4" RETURN
- C = 3" x 4" HANDHOLE
- D = 1" WATER COLUMN
- E = 3/4" AQUASTAT
- F = 2" BOTTOM BLOWDOWN
- G = 2" SURFACE BLOWOFF
- H = 2" AUXILIARY CONNECTION
- J = 2-1/2" SAFETY VALVE
- 3" SAFETY VALVE
- K = 12" x 16" MANHOLE
- L = 20" NOMINAL FLUE DIAMETER

LEGEND

BS = BOTH SIDES
 RS = RIGHT SIDE



NOTE :
 BURNER EQUIPMENT
 MAY EXTEND BEYOND
 BOILER DIMENSIONS

MODEL 3L-250
258.1 BHP
15 PSI STEAM

SPECIFICATIONS SUBJECT TO CHANGE WITHOUT NOTICE ALL CONNECTIONS ARE THREADED UNLESS OTHERWISE SPECIFIED
 THIS DOCUMENT CONTAINS CONFIDENTIAL INFORMATION WHICH IS THE PROPERTY OF BURNHAM COMMERCIAL. THIS DOCUMENT MAY NOT BE REPRODUCED, TRANSFERRED OR USED, OR ITS CONTENTS DISCLOSED, WITHOUT THE WRITTEN PERMISSION OF THE OWNER.